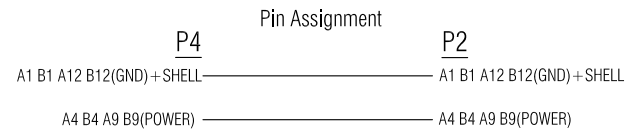
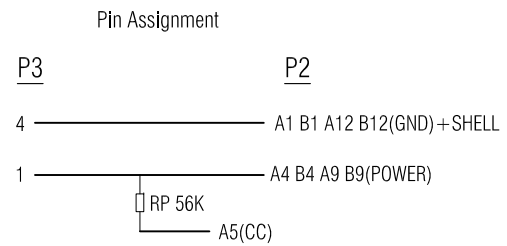
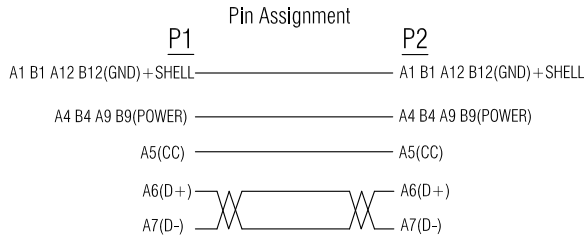
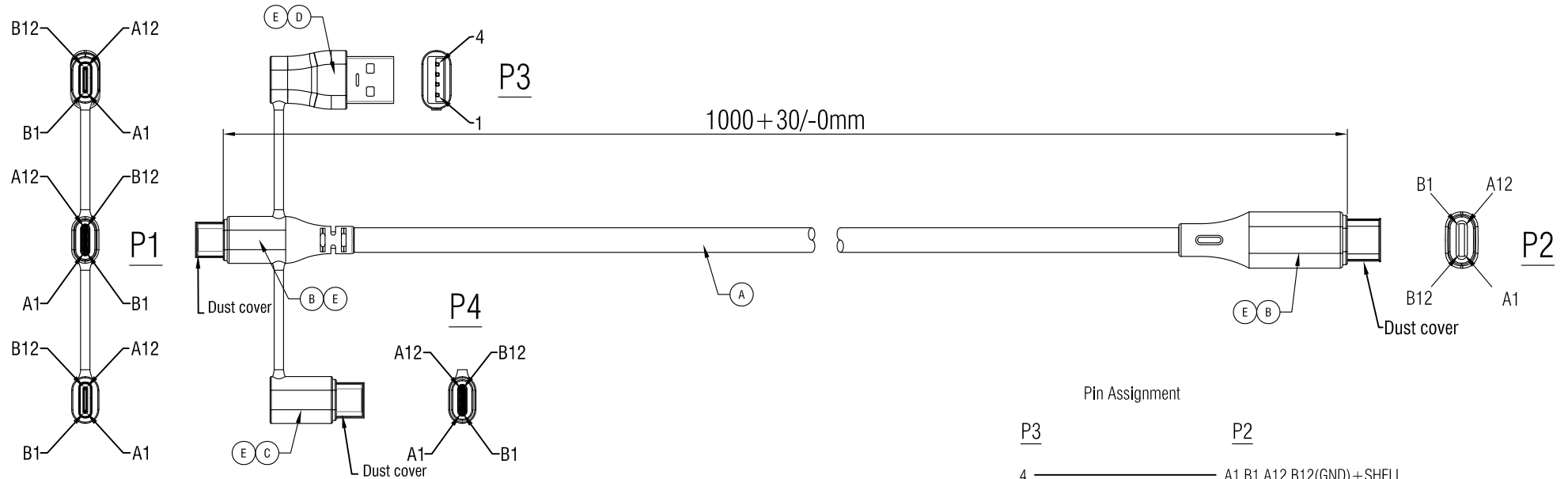


RoHS Compliant



Functional testing:

- 1.100% TEST OPEN SHORT MIS-WIRE.
- 2.CONTACT RESISTANCE:3Ω MAX.
- 3.INSULATION RESISTANCE:5MΩ MIN.
- 4.HI-POT:300V DC/10MS.
- 5.Support USB 2.0 5V 2.4A 12W MAX.
- 6.Support PD 20V 3A 60W MAX.

E	45P PVC BLACK		G
D	TYPE CF TO USB 2.0 AM Adapter(Black/White Insulation,Nickel plated)	1	PCS
C	TYPE CF TO TYPE CM Adapter(Black Insulation,Nickel plated)	1	PCS
B	TYPE C MALE(Black Insulation,Nickel plated)	2	PCS
A	UL2725,30#*1P+30#*2C,22#*1C+26#*4D+AL,OD=4.2mm, BLACK PVC JACKET .	1	PCS
NUMBER	PRODUCT SPECIFICATIONS	Quantity	Unit

ROLINE 2-in-1 USB2.0 C Cable, M/M, DATA BLOCK Cable, W/Additional Charging A+C Adapter	
Item	11.02.8349
Draw	Kobe
Date:	2024.04.12
Approval	
Duty	F16
BOM.NO:	XXXXX

