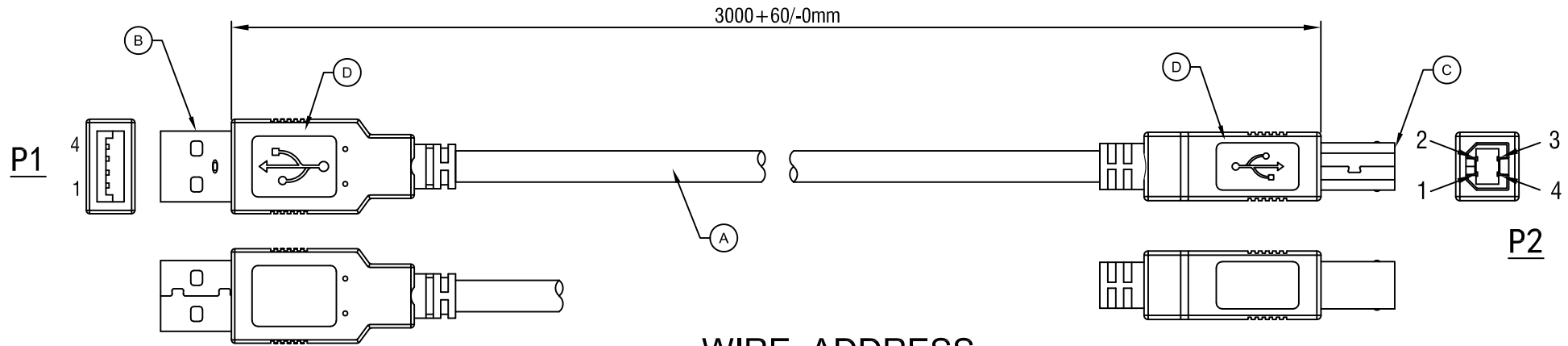


RoHS Compliant



WIRE ADDRESS

P1		P2
1	RED	1
2	WHITE	2
3	GREEN	3
4	BLACK	4
Shell		Shell

Electrical Test:

- 1.100% TEST OPEN SHORT MIS-WIRE.
- 2.CONTACT RESISTANCE:3Ω MAX.
- 3.INSULATION RESISTANCE:5MΩ MIN.
- 4.HI-POT:300V DC/10MS.

D	45P PVC BLACK		G	ROLINE USB 2.0 Cable,A-B,M/M,black,3M			SECOMP
C	USB B MALE(White Insulator, Shell Nickel Plated,Pin Gold Plated 30U")	1	PCS	Item	11.02.8830		
B	USB A MALE(White Insulator, Shell Nickel Plated,Pin Gold Plated 30U")	1	PCS	Draw	Sam	Date: 2015.03.26	
A	UL2725 28AWG*1P+24AWG*2C+AB(BC),OD=5.0mm,BLACK PVC JACKET.	1	PCS	Approval			
NUMBER	PRODUCT SPECIFICATIONS	Quantity	Unit	Duty	F16	BOM.NO: 10288	
				Sample NO.			Drawings of 1 (2) Proportion: 1:1 Unit(mm)