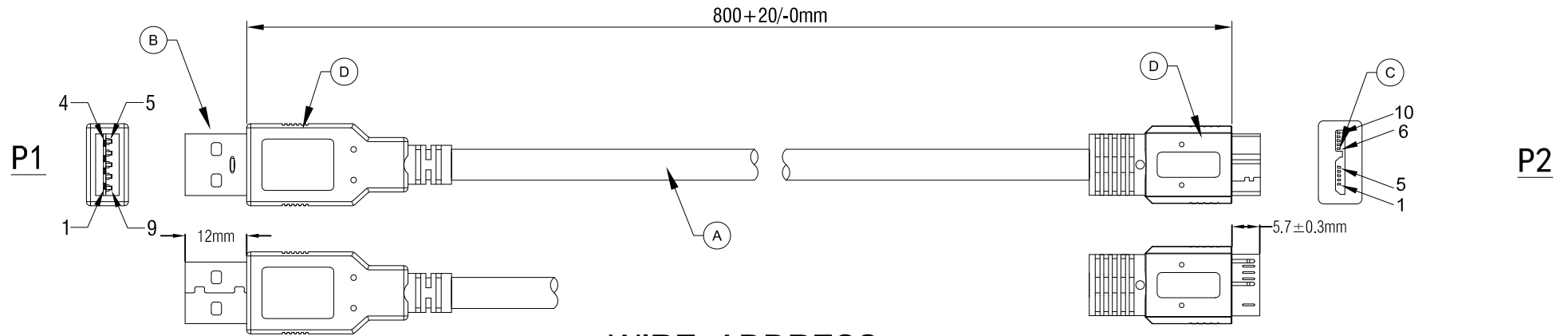
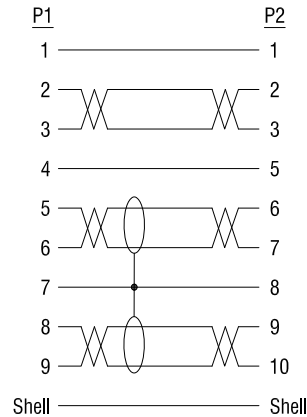


RoHS Compliant



### WIRE ADDRESS



- Electrical Test:**
- 1.100% TEST OPEN SHORT MIS-WIRE.
  - 2.CONTACT RESISTANCE:3Ω MAX.
  - 3.INSULATION RESISTANCE:5MΩ MIN.
  - 4.HI-POT:300V DC/10MS.
  - 5.Support USB 3.2 Gen1 5Gbps

D	45P PVC BLACK		G	ROLINE USB 3.2 Gen 1 Cable, A - Micro B, M/M, black, 0.8 m			
C	USB Micro B MALE(Black Insulator, Shell Nickel Plated,Pin Gold Plated 30U")	1	PCS	Item	11.02.8873		
B	USB A MALE(Blue Insulator, Shell Nickel Plated,Pin Gold Plated 30U")	1	PCS	Draw	Sam	Date: 2022.08.30	
A	UL2725 OR UL20276 (28AWG*1P+EAM)*2C+28AWG*1P+24AWG*2C+AEB,OD=5.5mm, BLACK PVC JACKET.	1	PCS	Approval			
NUMBER	BOM.NO	PRODUCT SPECIFICATIONS	Quantity	Unit	Duty	F16	BOM.NO:XXXX
1	2	4			Sample NO.		Drawings of 1 (2) Proportion: 1:1 Unit(mm)

**SECOMP**