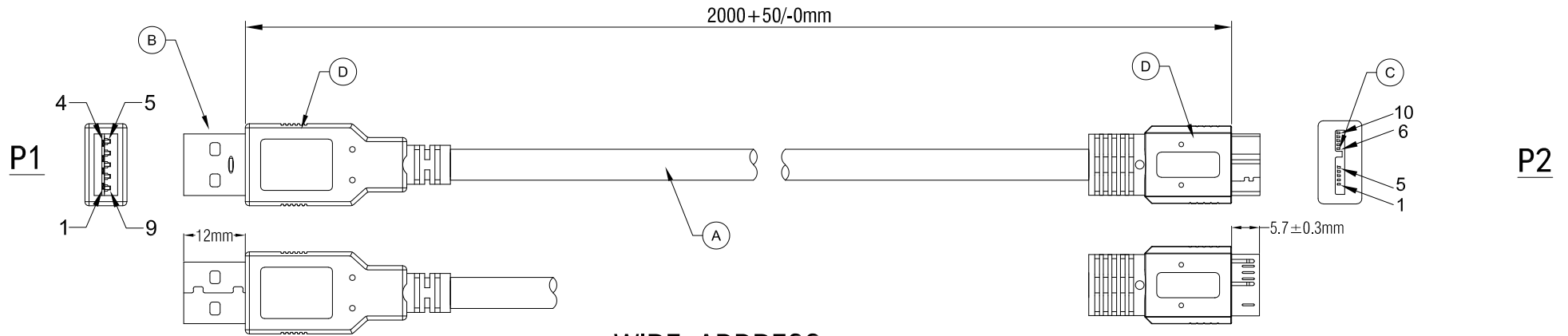
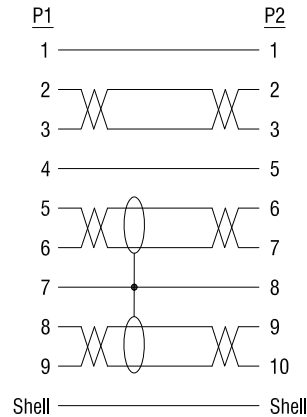


RoHS Compliant



WIRE ADDRESS



Electrical Test:
 1.100% TEST OPEN SHORT MIS-WIRE.
 2.CONTACT RESISTANCE:3Ω MAX.
 3.INSULATION RESISTANCE:5MΩ MIN.
 4.HI-POT:300V DC/10MS.

D	45P PVC BLACK		G	ROLINE USB 3.0 Cable, USB Type A M - Micro USB Type A M, 2m			
C	USB 3.0 Micro A MALE(Black Insulator, Shell Nickel Plated,Pin Gold Plated 30U")	1	PCS	Item	11.02.8874		
B	USB 3.0 A MALE(Blue Insulator, Shell Nickel Plated,Pin Gold Plated 30U")	1	PCS	Draw	Sam	Date: 2014.11.28	
A	UL2725 OR UL20276 (28AWG*1P+EAM)*2C+28AWG*1P+24AWG*2C+AEB,OD=5.5mm, BLACK PVC JACKET.(BC Wire)	1	PCS	Approval			
NUMBER	PRODUCT SPECIFICATIONS	Quantity	Unit	Duty	F16	BOM.NO:13486	
				Sample NO.	Drawings of 1 (2) Proportion: 1:1 Unit(mm)		A4