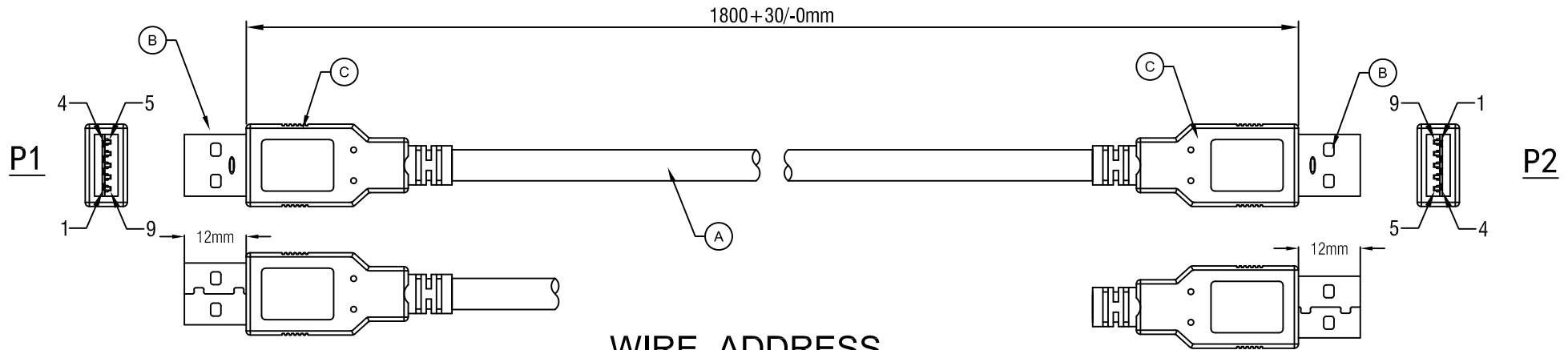
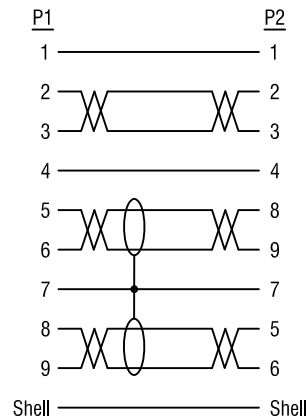


RoHS Compliant



WIRE ADDRESS



Electrical Test:

- 1.100% TEST OPEN SHORT MIS-WIRE.
- 2.CONTACT RESISTANCE:3Ω MAX.
- 3.INSULATION RESISTANCE:5MΩ MIN.
- 4.HI-POT:300V DC/10MS.

ROLINE USB 3.2 Gen 1 Cable,A-A,M/M,black,1.8m

C			45P PVC BLACK		G
B	1	Z-11.02.8970	USB 3.0 A MALE(Blue Insulator, Shell Nickel Plated,Pin Gold Plated 30U")	2	PCS
A			UL2725 OR UL20276 (28AWG*1P+EAM)*2C+28AWG*1P+24AWG*2C+AEB,OD=5.5mm, BLACK PVC JACKET.(BC Wire)	1	PCS
NUMBER	BOM.NO:		PRODUCT SPECIFICATIONS	Quantity	Unit

Item	11.02.8970	
Draw	Sam	Date: 2014.11.28
Approval		
Duty	F16	BOM.NO:13424

SECOMP