



Datenblatt - Fiche technique - Data sheet

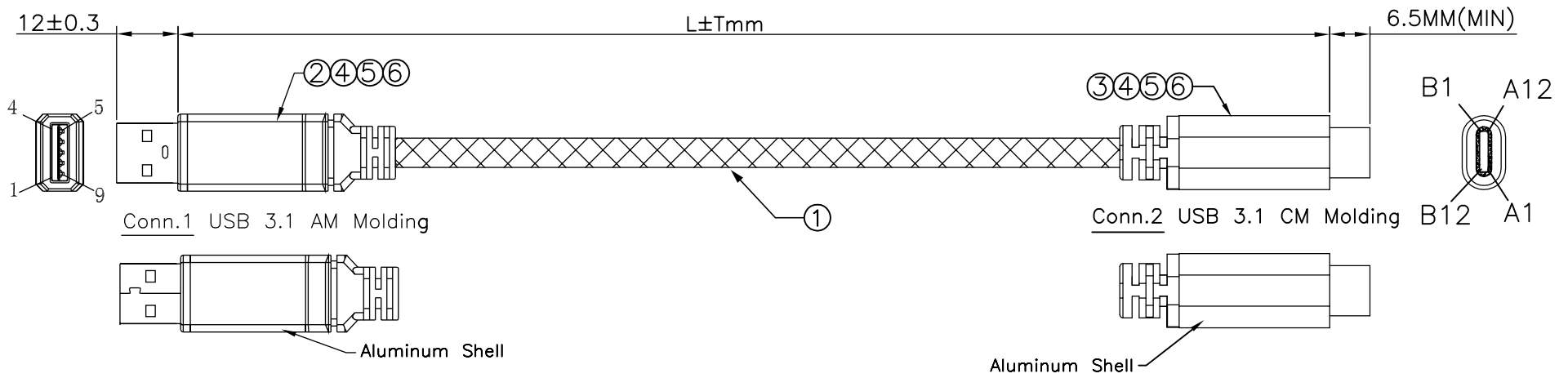
11.02.9012



ROLINE GOLD USB 3.1 Kabel, A-C, ST/ST, 0,5 m

ROLINE GOLD Câble USB 3.1, A-C, M/M, 0,5 m

ROLINE GOLD USB 3.1 Cable, A-C, M/M, 0.5 m



Electrical Test:

1. 100% Test(Open, Short, Miss Wire)
2. Contact Resistance: 2 ohm Max.
3. Insulation Resistance: 5M ohm Min.
4. Hi-pot: 300V DC/10ms

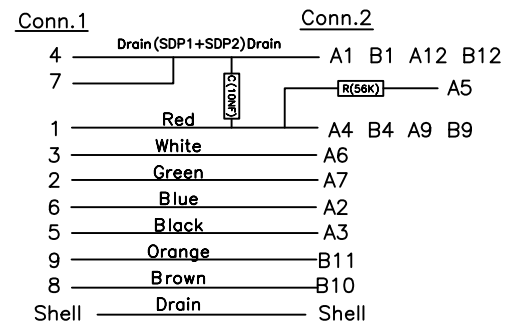
NOTE:

1. Super High Speed USB 3.1 Gen1 Cable
[32AWG(7/0.08T)*1P+D+AL+MYLAR]*2P+[32AWG(7/0.08T)*1P+24AWG(7/0.2T)*2C+F+ADB
OD:4.2±0.2mm Color: Black with Nylon Sleeve
2. USB3.1 A M Solder Type, Shell: Gold, Blue Insulation
3. USB3.1 C M Solder Type, Shell: Gold, White Insulation
4. Inside Mold: PE
5. Outside Mold: PVC, Color: Black
6. Aluminum Shell

Table:

P/N	Length
11.02.9012	500±30mm
11.02.9013	1000±30mm

Pin Assignment



REV.	DATE	CONTENTS OF CHANGE	DESIGNER	TOL ±	V								APPROVAL	CHECK	DRAWING	DESIGN	DRAWING NAME	ROLINE GOLD Cable USB 3.1 C-A, M/M		
					RANGE	Plc	Met	Ins	Por	Cab	Pac	Gas						DIS	DATE	PART NO.
①				0~6	0.1	0.1	0.1	0.2	0.5	1	0.5	0.2	Allen	Allen	Philip	2016-09-02	PART NO. 11.02.9012 / 1102.9013	ROO		
②				6~30	0.1	0.1	.15	.25	1	1	0.5	.25								
③				30~80	0.1	.15	0.2	0.3	2	1.5	1	0.3								
④				80~180	.15	.15	.25	0.3	2	2	1	.45								
⑤				180~315	.15	0.2	0.3	0.4	2.5	2	1	0.6								
				315~800	0.2	0.3	0.4	0.5	3	3	2	1.1	⑥	SCALE	1:1	UNIT	MM	SECOMP		