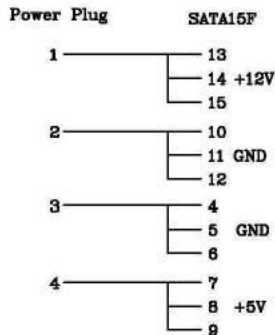
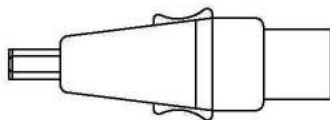
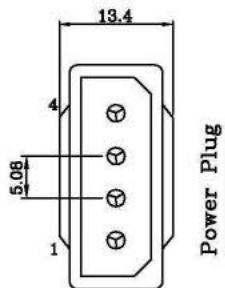
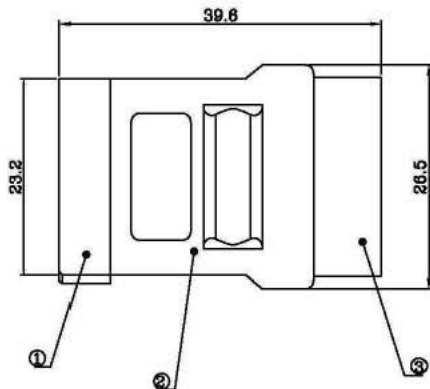
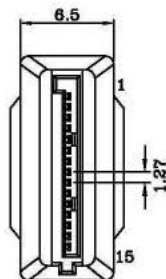


WIRE CONNECTION:



SATA15F



COMPONENTS	DESCRIPTION	Q'TY
1	SA15F SATA (Power) 15P Female, Insulator: Black P.B.T UL94V-0 Contact: Copper Alloy G/F Gold Plated	1
2	Hood PVC Molded Color:Black	1
3	Power Plug 4P Male Insulator :Nylon 66 UL94V-0 ,Color:White , Contact:Brass Tin Plated	1

NO.	DATE	MODIFICATION
APPROVED BY:		DATE:
Joe		2003.03.06
CHECKED BY:		DATE:
劉立		2003.03.06
DESIGN BY:		DATE:
王松浩		2003.03.06
PART NO:		
SCALE: X:1 UNIT: mm VERSION: C		
DRAWN BY: 彭海元 2011.10.31 DRAWING NO: 70048-1541-0010-0111		

SECOMP

P/N: 11.03.1060

DESCRIPTION:
**ROLINE Adapter
4 pol. HDD/SATA**