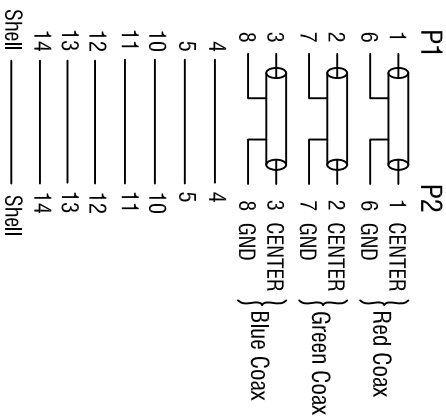


WIRE ADDRESS



- Electrical Test:
1. 100% TEST OPEN SHORT MIS-WIRE.
 2. CONTACT RESISTANCE:5Ω MAX.
 3. INSULATION RESISTANCE:5MΩ MIN.
 4. HI-POT:300V DC/10MS.
 5. Real Test Passed 1280*1024.
 6. Real Test Not Twinkling, Double Vision and Decolor.

E	45P BLACK PVC	G
D	Ferrite Core (17.5*28.5*9.5mm)	PCS
C	HD37.7 Screw	PCS
B	HDB15P MALE (PIN9 OUT: Black Insulator: Nickel Plated)	PCS
A	UL2919;28# 3COAX+28#*7C+ADB. OD=8.0mm BLACK DENTATE PVC JACKET.	PCS
PRODUCT SPECIFICATIONS		Quantity Unit
1	2	4

ROLINE VGA Cable with Ferrite, HD15 M - HD15 M, 6.0m	
Item	11.04.5256
Draw	<i>Make</i> Date: 2020.05.13
Approval	
Duty	F16 BOM.NO.:13909
Sample NO.	Drawings of 1 (2) Proportion: 1:1 Unit(mm) A4

