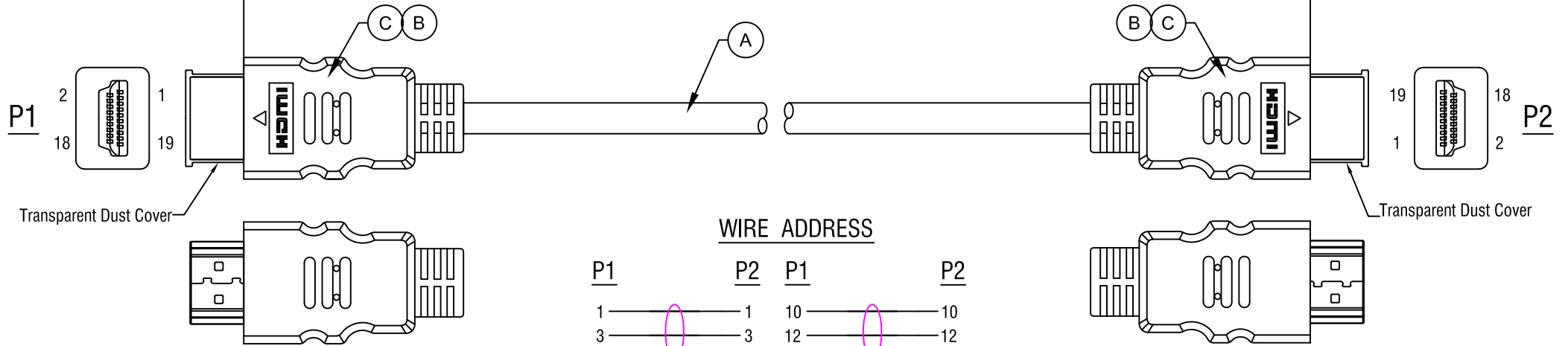


RoHS Compliant

5000+100/-0mm



WIRE ADDRESS

P1	P2	P1	P2
1	1	10	10
3	3	12	12
2	2	11	11
4	4	14	14
6	6	19	19
5	5	17	17
7	7	13	13
9	9	15	15
8	8	16	16
		18	18
		Shell	Shell

Electrical Test:

- 1.100% TEST OPEN SHORT MIS-WIRE.
- 2.CONTACT RESISTANCE:3Ω MAX.
- 3.INSULATION RESISTANCE:5MΩ MIN.
- 4.HI-POT:300V DC/10MS.
- 5.Real Test Passed 1920*1080P 60Hz.
- 6.Real Test Not Twinkling,Double Vision and Decolor.

ROLINE HDMI High Speed Cable + Ethernet, LSOH, M/M, black, 5 m

NUMBER	PRODUCT SPECIFICATIONS	Quantity	Unit
C	85A TPE(LSOH)BLACK		G
B	HDMI 19P MALE(Black Insulator Nickel Plated)	2	PCS
A	UL21550 (30#*3C+AL)*5+30#*4C+AEB OD:6.0mm BLACK TPE (LSOH)JACKET (CABLE PRITING:High Speed HDMI™ Cable with Ethernet)	1	PCS

Item	11.04.5735	
Draw	Andi	Date: 2022.10.17
Approval		
Duty	F16	

SECOMP