



Datenblatt - Fiche technique - Data sheet

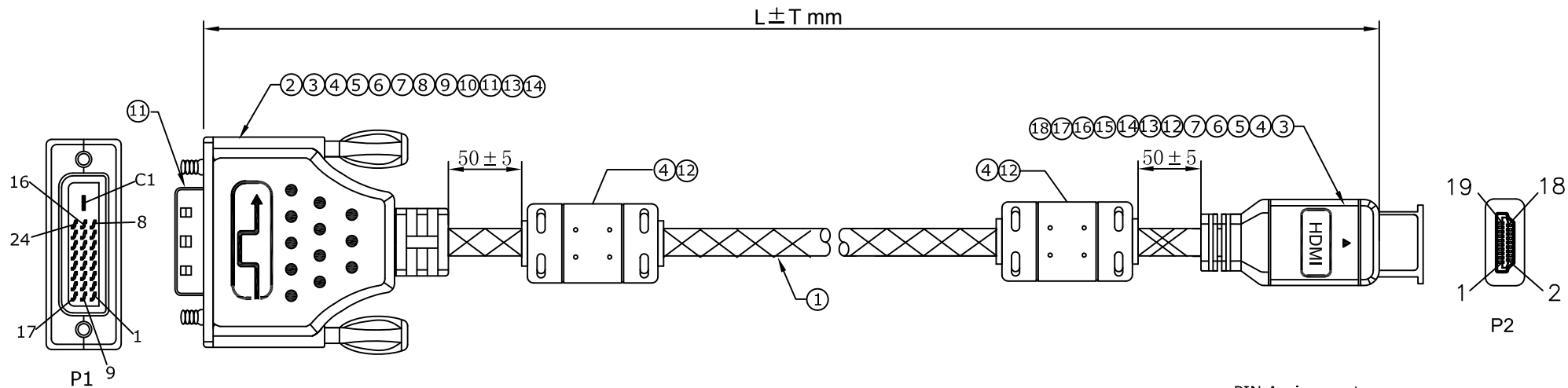
11.04.5895



ROLINE GOLD Monitorkabel DVI-HDMI, ST-ST, (24+1) dual link, 10,0 m

ROLINE GOLD Câble pour écran DVI-HDMI, M-M, (24+1) dual link, 10,0 m

ROLINE GOLD Monitor Cable, DVI (24+1) - HDMI, Dual Link, M/M, 10.0 m

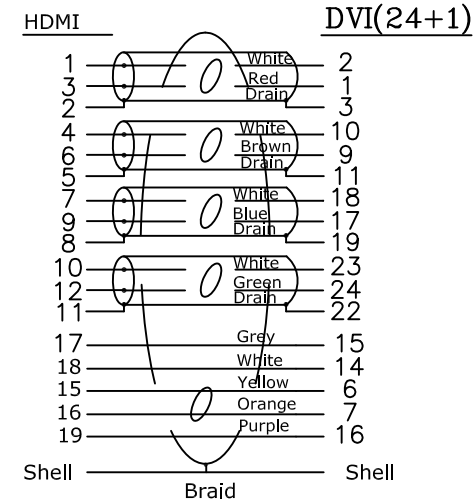


ELECTRICAL TEST:

- 1.100% OPEN SHORT & MIS WIRE TEST
- 2.CONTACT RESISTANCE:2 OHM(MAX)
- 3.INSULATION RESISTANCE:10M OHM(MIN)
- 4.HI-POT TEST:DC 300V/10ms

Part No.	Length
11.04.5894	7500±50MM
11.04.5895	10000±100MM

PIN Assignment



18	HDMI 20# BLACK ABS HOOD	1	pcs
17	HDMI M TRANSPARENT DUST COVER	1	pcs
16	HDMI # 20 die golden shiny aluminum alloy shell Single radium vulture HDMI LOGO	1	pcs
15	HDMI M 19P BLACK INSULATION SHELL PLATED:GOLD CONTACT:G/F	1	pcs
14	W: 22 mm double guide copper foil	0.24	M
13	Nickel plating line buckle OD:10 (YB07080702)	2	pcs
12	CORE 28.5*17.5*9.5MM	2	pcs
11	DVI M TRANSPARENT DUST COVER	1	pcs
10	DVI 24 # mold golden shiny aluminum alloy shell radium vulture DVI LOGO	1	pcs
9	DVI 24 # mold golden shiny aluminum alloy shell radium vulture DVI LOGO	1	pcs
8	#4-40UNC 4*38.5 Gold-plated screws	4	pcs
7	TUBE BLACK : φ 1.5*22mm THICK	0.044	m
6	TUBE BLACK : φ 1.0*12mm THIN	0.168	m
5	TUBE BLACK∅2.0*10mmTHIN	0.14	m
4	45P BLACK PVC ROHS	40	g
3	TRANSPARENT PE	6	g
2	DVI(24+1) M SOLDER TYPE,GOLD PLATED,BLACK INSULATION	1	pcs
1	(26#*1P+D+AL+ML)*4+1P*28#+3C*28#+AL+D+B(50%AL) OD:8.0mm, PVC Jacket BLACK nylon sleeve	L	M
NO	DESCRIPTION	Q'TY	UNIT

REV.	ECN	DESCRIPTION	DATE	NAME		
⊕		SECOMP				
.X	TOLERANCE INCHES M/M				ROLINE Gold DVI/HDMI Cable, M/M	
.XX	.015 .30					
.XXX	.010 .10					
		P/N:11.04.5894 / 11.04.5895				
DRAWN BY	ZhouWenLong	SCALE	NONE	DRAWING NO:		
CHECK BY		UNIT	MM			
APPD BY		DATE	2017.03.15		REV A01	
				1/1		