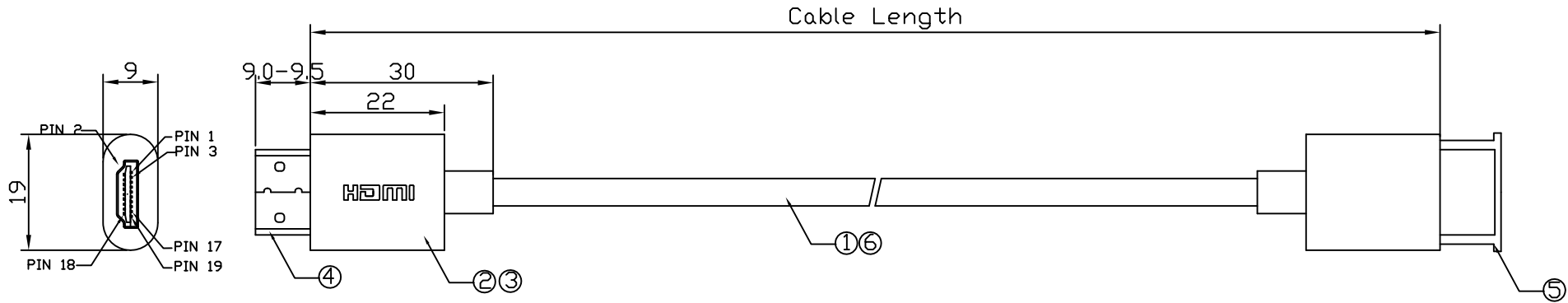
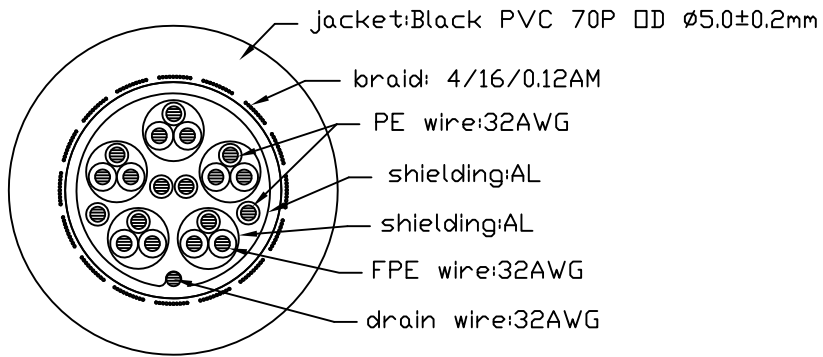


REV.	DESCRIPTION	DATE
A		2024-04-09
B		

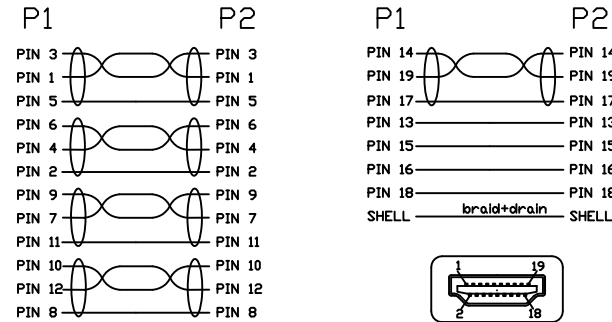


Cable Specifications:



Test standard:
 1. 100% pass open circuit, short circuit, dislocation test.
 2. On-resistance: 5Ω Max
 3. Insulation resistance: 5MΩ Min/DC300V/10ms
 4. 100% pass 4k 60HZ TV test

Pin Assignment



PART NO.	CABLE LENGTH
11.04.6015	1000±30mm
11.04.6016	1500±30mm
11.04.6017	2000±30mm
11.04.6018	3000±30mm

BOM LIST

NO.	SPECIFICATIONS
1	HDMI2.0V 32AWG Ø5.0 (32#*1P+32#+AL)*5+32#*4C+D32#+AL+64AM
2	45P PVC the Black plug
3	Inner Molding:Transparent PE
4	HDMI 20 Pin Gold-plated plug in copper case
5	Dust cap
6	Printing:High Speed HDMI™ Cable with Ethernet 80°C 30V VM-1

ITEM NUMBER	DRAWER			Ming
TITLE	HDMI 2.0V 32AWG			CHECKED
MATERIAL	SCALE			APPROVED
REV.	A	UNIT	MM	⊕
DRAWING NO:				☐
SECOMP				