



Datenblatt - Fiche technique - Data sheet

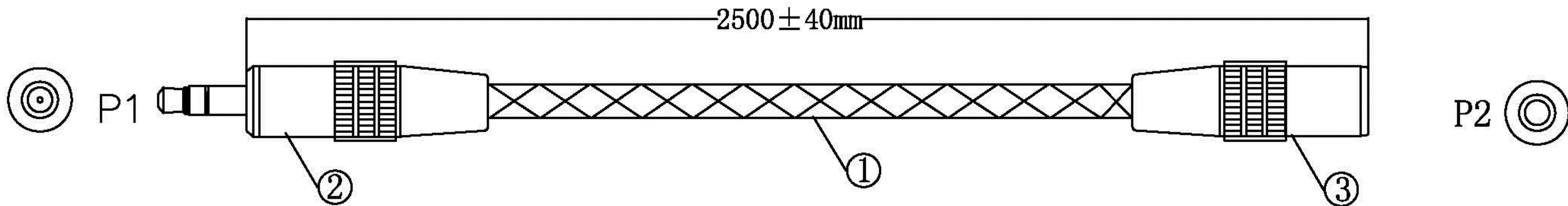
11.88.4753



ROLINE GOLD 3,5mm Audio-Verlängerungskabel Stecker / Buchse, 2,5m

ROLINE GOLD Câble prolongateur 3,5mm audio M / F, 2,5m

ROLINE GOLD 3.5mm Audio Extension Cable, Male - Female, 2.5m



Electrical Test:

1. 100%Test(Open ,short ,miss wire)
2. Contact Resistance: 1 ohm Max
3. Insulation Resistance: 10M ohm Min
4. Hi-Pot: 100V DC/10ms

P1	P2	P3
1	red	1
2	black	2
3	sp	3

REV.	TOLERANCE		DESCRIPTION	DATE
	INCHES	M/M	Rotronic Co., Ltd.	
.X	.015	.30		
.XX	.010	.10		
.XXX	.005	.05		
DRAWN BY			CUSTOMER :	
CHECK BY			CUSTOMER P/N :	
APPD BY			SCALE	NONE
			UNIT	MM
			DATE	2012.10.08
			DRAWING NO:	11.09.4753
			REV	A
				1/2

NO	DESCRIPTION	Q`TY	UNIT
3	DC3.5 F gold plated with copper shell (plated 24K gold)	1	SET
2	DC3.5 M gold plated with copper shell (plated 24K gold)	1	SET
1	NO UL 26AWG*2C(red.black) + S(30/0.10TC) O OD: 5.0MM black + black/gold nylon	L	M