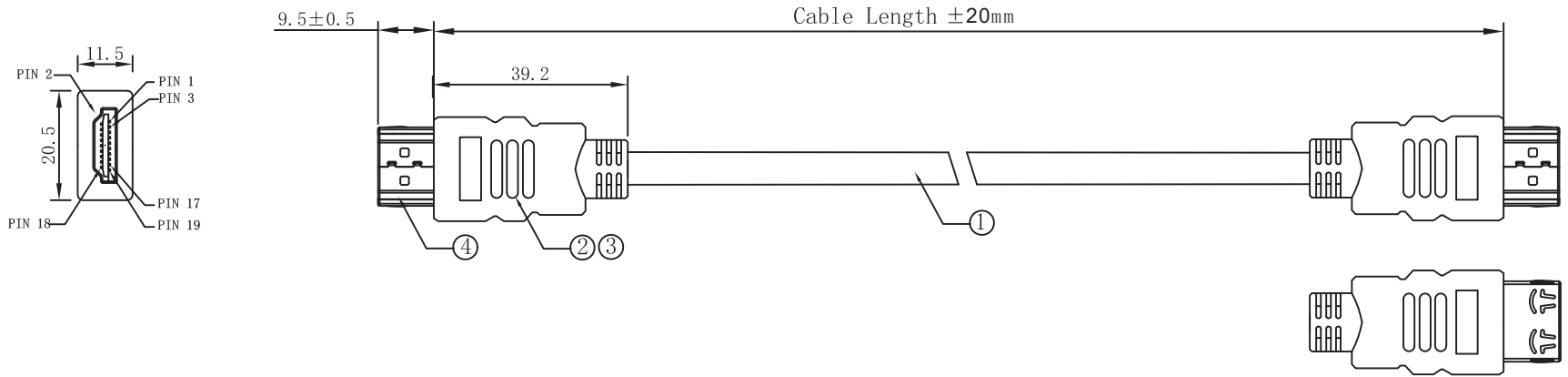
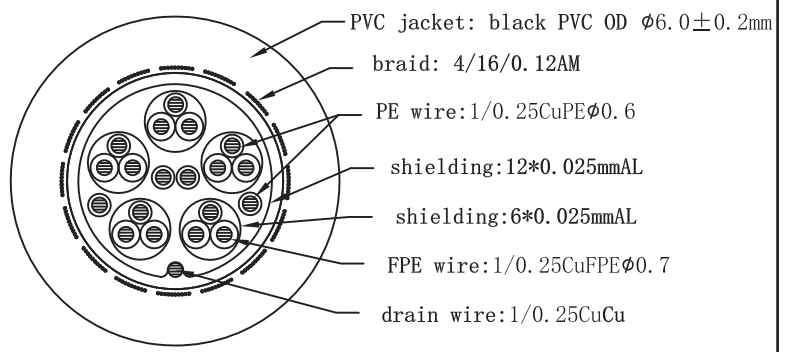


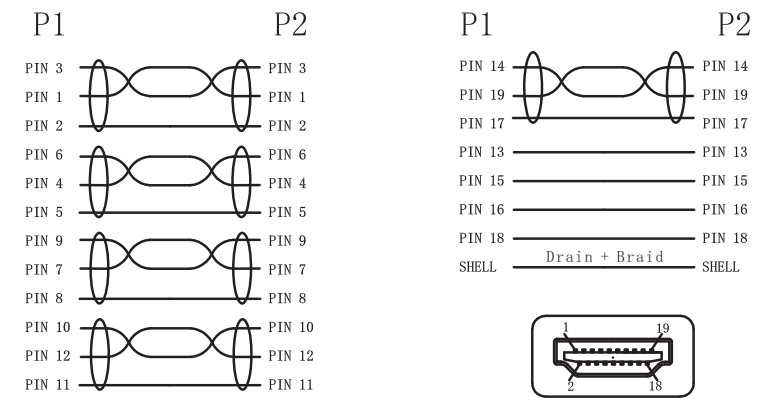
REV.	DESCRIPTION	DATE
A		2018-09-26
B		



Cable Specifications:



Pin Assignment



test standard:
 1、100% pass open circuit, short circuit, dislocation test.
 2、On-resistance: 3Ω Max
 3、Insulation resistance: 5MBΩ Min/DC300V/10ms
 4、100% pass 4k60hz TV test

PART NO.	CABLE LENGTH
11.99.5690	1M ±20mm
11.99.5691	1.5M ±20mm
11.99.5692	2M ±20mm
11.99.5693	3M ±20mm

BOM LIST	
NO.	SPECIFICATIONS
1	HDMI2.0V30AWG OD:6.0 (1/0.25Cu*1P+1/0.25Cu)*5+1/0.25Cu*4C+D1/0.25Cu+64AM
2	PVC Jacket:45P PVC ,Color:Black
3	Inner Molding:tin
4	HDMI 19 Pin nickel plated connector lock connector

ITEM NUMBER	DRAWER			Ming
TITLE	VALUE HDMI Ultra HD Cable w/Ethernet , M/M, Resistant plug , black			CHECKED
MATERIAL	SCALE	APPROVED		
REV.	A	UNIT	INCH	
DRAWING NO:				

