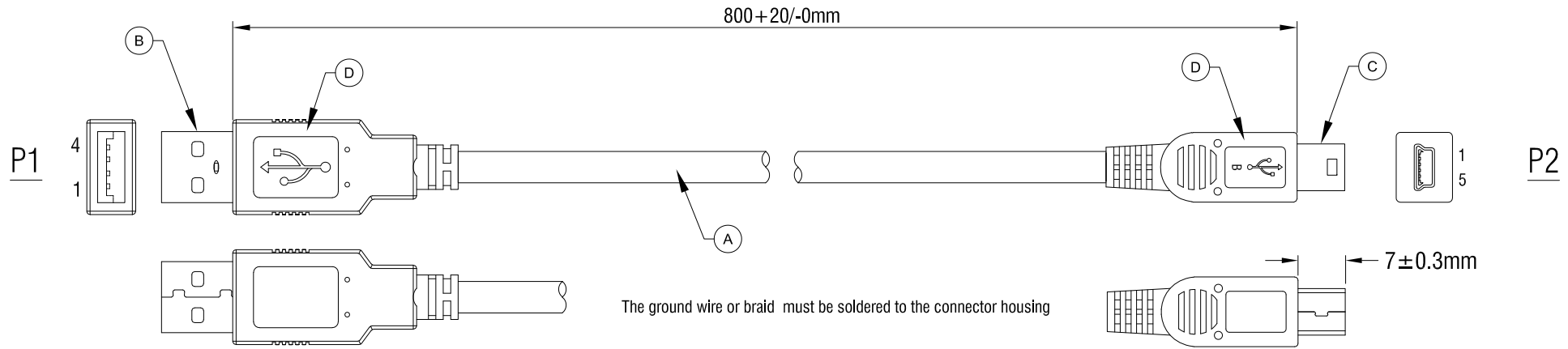
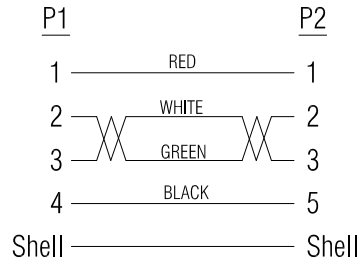


RoHS Compliant



WIRE ADDRESS



Electrical Test:
 1.100% TEST OPEN SHORT MIS-WIRE.
 2.CONTACT RESISTANCE:3Ω MAX.
 3.INSULATION RESISTANCE:5MΩ MIN.
 4.HI-POT:300V DC/10MS.

D	45P PVC WHITE		G	VALUE MINI USB CABLE, White, 0.8M		SECOMP
C	USB 2.0 Mini B5P MALE(Black Insulator, Nickel Plated,PIN Gold Plated 30U")	1	PCS	Item	11.99.8708	
B	USB 2.0 A MALE(White Insulator, Nickel Plated,PIN Gold Plated 30U")	1	PCS	Draw	Sam Date: 2014.11.28	
A	UL2725 28AWG*1P+28AWG*2C+AB,OD=3.5mm WHITE COLOR PVC JACKET	1	PCS	Approval		
NUMBER	PRODUCT SPECIFICATIONS	Quantity	Unit	Duty	F16 BOM.NO: 10191	
				Sample NO.	Drawings of 1 (2)	Proportion: 1:1 Unit(mm) A4