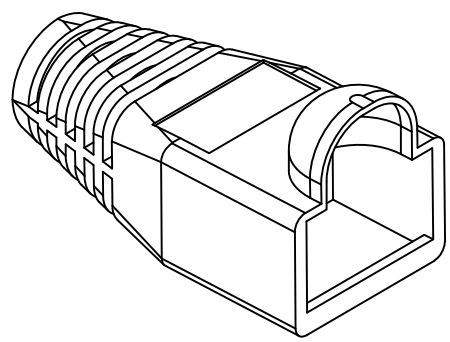
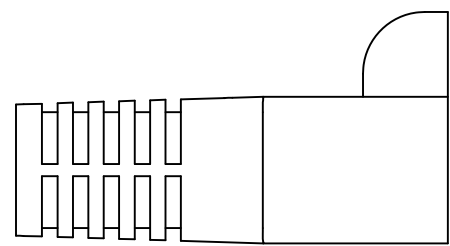
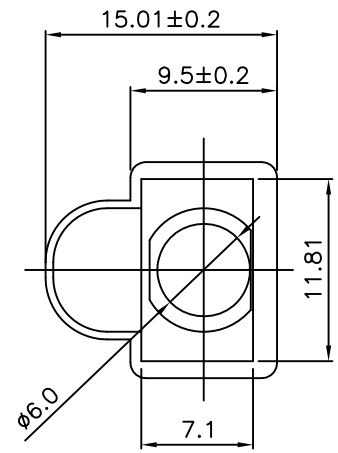
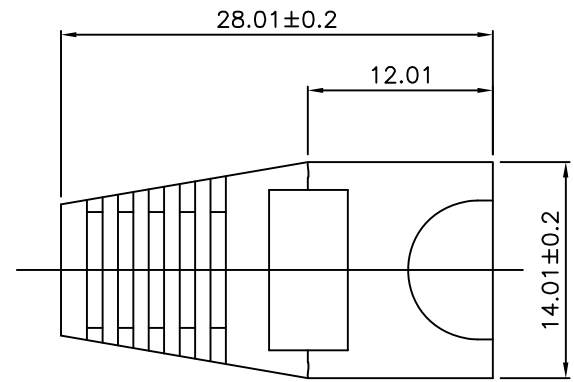


1 2 3 4 5 6



SCALE 2/1



A
B
C
D

A
B
C
D

Specification:
1. Material : PVC, 70%.

GENERAL TOLERANCE OF DIMENSIONS X.XXX ±0.1 X.XX ±0.2 X.X ±0.3	DRAWING	21.JUN.2023	SP	SECOMP
	CHECK	21.JUN.2023	CMD	
	APPROVAL	21.JUN.2023	YUAN	
		DATE	NAME	ITEM NO.: 12.01.1085
	SCALE	2/1 (A4)	UNIT	mm
HSF Spec.		DRAWING NO.		DRAWING NO. ROLINE Kink Protech Hood ,6.0mm ,Gray
RoHS		DRAWING CLASSIFICATION		S SHEET 1 OF 1

1 2 3 4 5 6
0 10cm