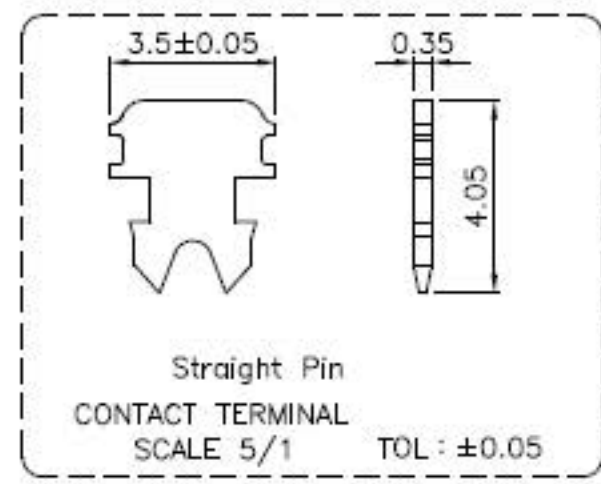
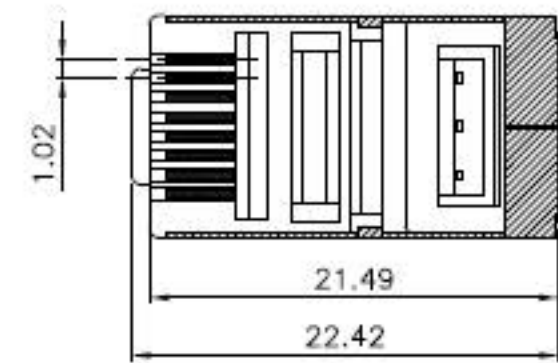


SCALE 2/1

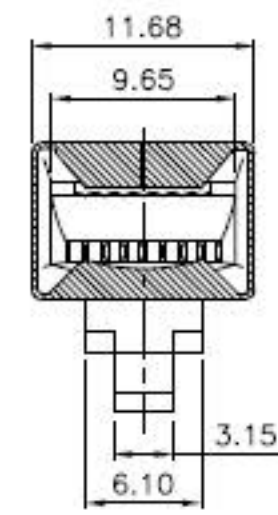
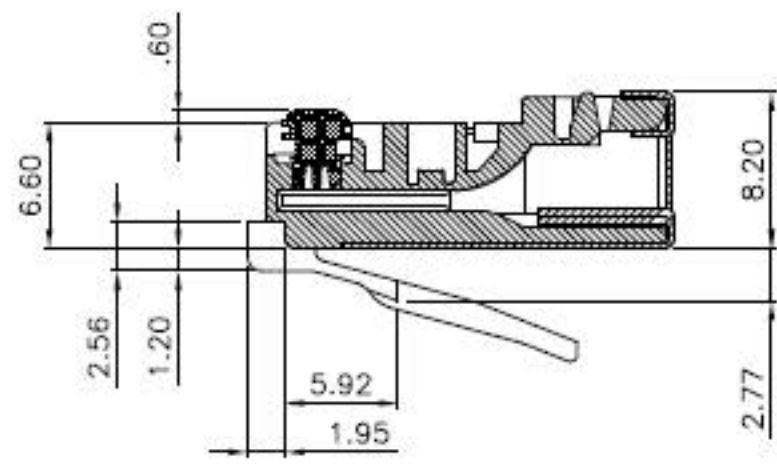
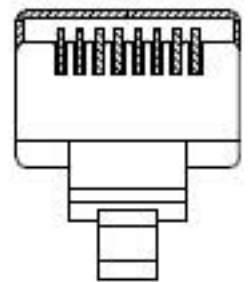


A

A

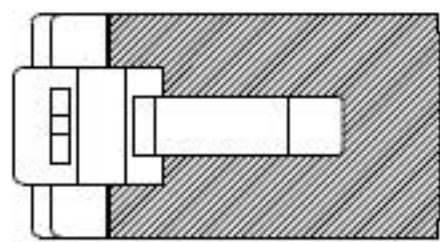
B

B



C

C



Specification :

Material:

- 1. Housing: Polycarbonate, UL94-V2, clear color.
- 2. Contacts: Phosphor bronze, min. 50 micro-inch gold plating on surface contact area.
- 3. Shield : Bronze with nickel plating.

Performance :

- a. Operating temperature: -10°C to 60°C
- b. Tensile strength: Cable to plug, 7.7kgs
- c. Conductors AWG: 26AWG stranded

GENERAL TOLERANCE OF DIMENSIONS ±0.1	DRAWING	05.MAY.2020	SP	SECOMP	
	CHECK	05.MAY.2020	CMD		
	APPROVAL	05.MAY.2020	YTY		
	DATE		NAME	ITEM NO.: 12.01.1089	
	SCALE	2/1 (A4)	UNIT	mm	DES.: ROUNE Modular-Plug shield,round,10pcs/set
	DRAWING NO. 12.01.1089(SA1)				DRAWING CLASSIFICATION S SHEET 1 OF 1
	DRAWING CLASSIFICATION				

D

D

1

2

0

3

4

10cm

5

6