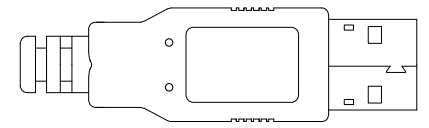
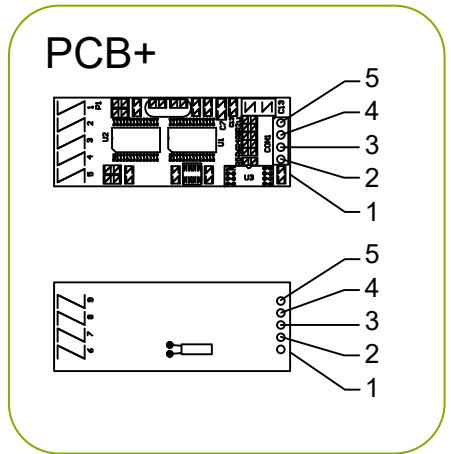
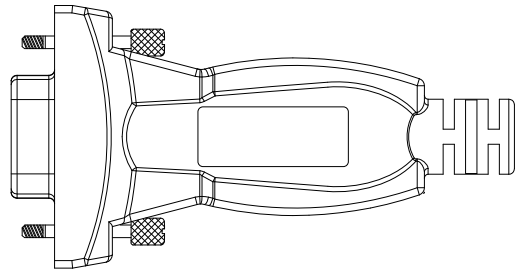
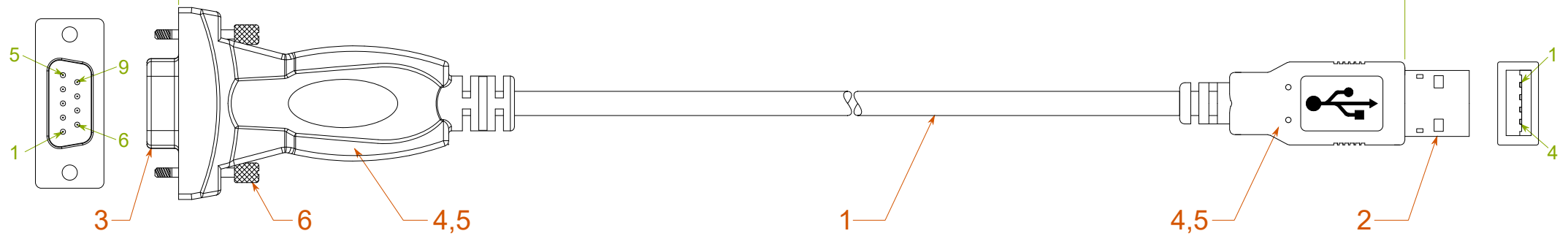


1 2 3 4 5 6 7 8

DSub 9 Plug

1800±50 mm

USB A Plug



Specification :

- 1. Cable UL2725, 1P(30AWG) + 2C(30AWG) + AEB, OD: 4.5mm, Jacket: PVC, Color: Transparent
- 2. Conn. USB A Plug, Conductor: Gold Plated, Shell: Nickel Plated
- 3. Conn. D-Sub 9 Plug, Connector: Gold Plated, Shell Nickel Plated
- 4. Inner Molding LDPE
- 5. Outer Molding PVC: 45P, Color: Transparent Black
- 6. Screw #4-40 UNC

<b>SECOMP</b>	Product Name	ROLINE Converter Cable USB to RS232, 1.8m, Transparent Black	Approve	Check	Draw	Design	Rev.	Date	Contents of Change	Design
	Product No.	12.02.1163	Allen	Allen	Kuan	Kuan	1			
Issue Date : 2021/08/05							2			
							3			
			Scale 1:1	Unit : mm						