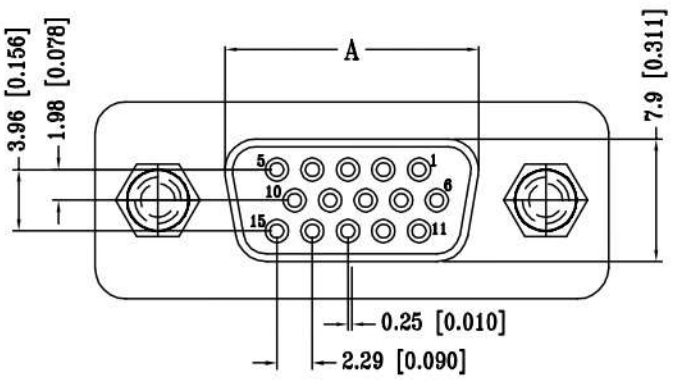
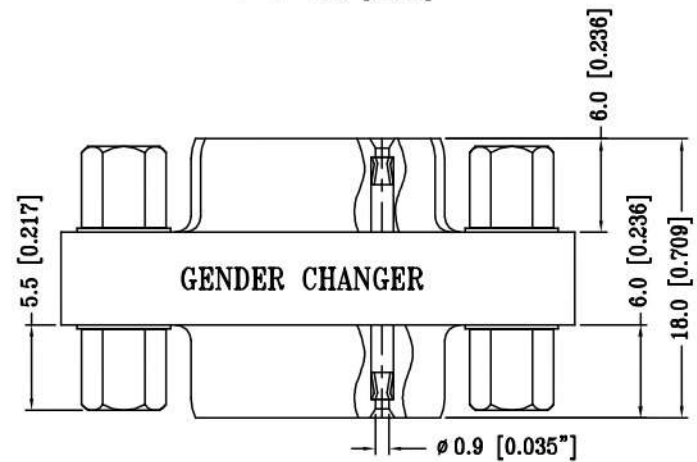
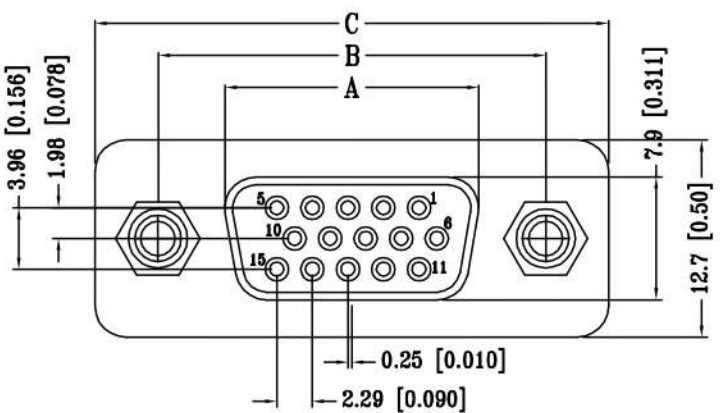


REV.	ECN NO. / DESCRIPTION	DATE



### MATERIAL

INSULATOR: BLUE PBT UL94 V-0 RATED  
 CONTACTS: BRASS  
 SHELL: STEEL

### FINISH

CONTACTS: GOLD FLASH OVER NICKEL  
 SHELL: NICKEL PLATED

### ELECTRICAL CHARACTERISTICS

CONTACT RESISTANCE: 25mΩ MAX  
 CURRENT RATING: 5 AMPERES  
 INSULATION RESISTANCE: 5000MΩ MIN  
 DIELECTRIC WITHSTANDING VOLTAGE: 1000VAC 60SEC

Circuits	A	B	C
15	16.3(.642")	25.0(.984")	31.2(1.22")

GENERAL TOLERANCES UNLESS SPECIFIED		PART NO. 12.03.2021	<b>SECOMP</b>			
.X ±0.30	X.° ±3°					
.XX ±0.15	X.° ±1.5°	APPROVE Ted Ju 07/02 '04	TITLE ROLINE Mini Gender Changer, 15-pin HD F-F			
.XXX ±	.XX° ±	CHECK Ted Ju 07/02 '04	DWG NO. LAP-A9415CB2L			
SIZE A4	UNITS MM[INCH]	DRAW C.C.S 07/02 '04		SHEET 1 / 1	SCALE 1:1	REV 1