



Datenblatt - Fiche technique - Data sheet

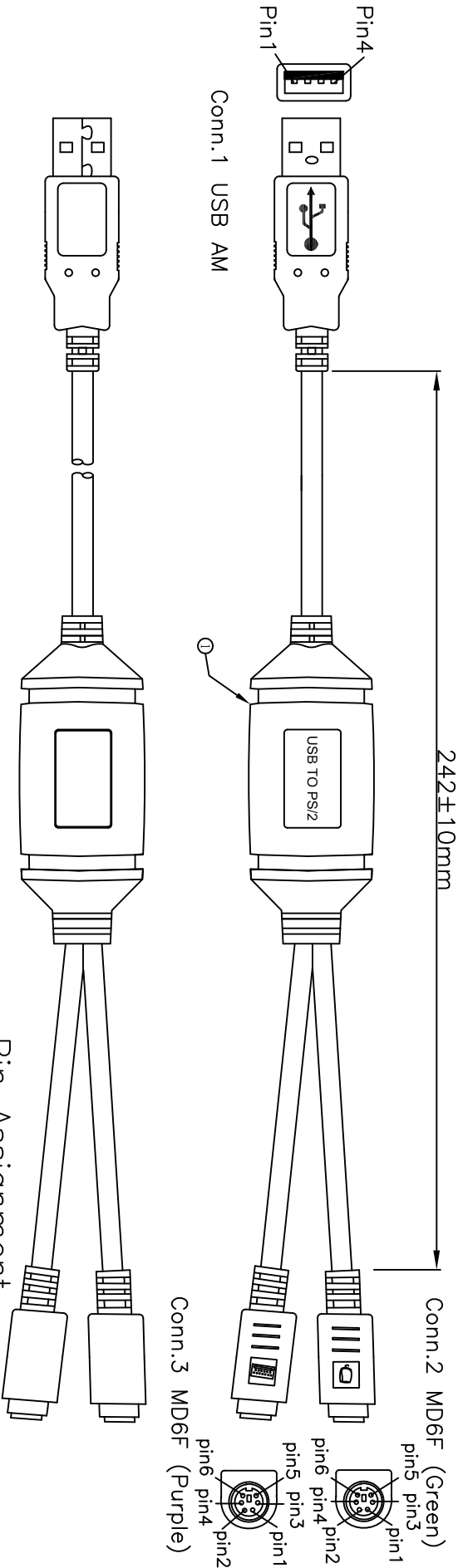
12.99.1075



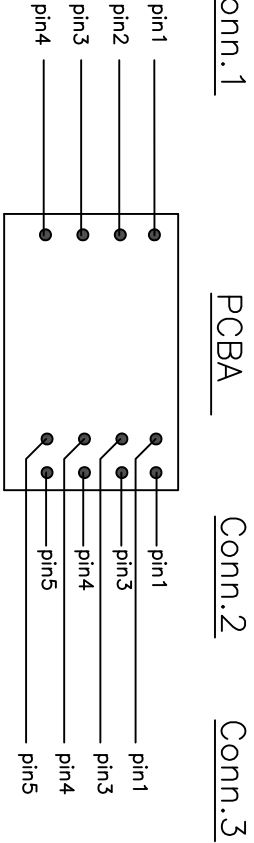
VALUE USB - 2x PS/2 Konverter

VALUE Convertisseur USB / 2x PS/2

VALUE USB to 2x PS/2 Adapter Cable



Test requirements:
 1. 100% electrical testing: open circuit, short circuit, dislocation.
 2. The conduction resistance: 2 ohm (MAX)
 3. The insulation resistance: 10 m ohm min.
 4. High voltage: 300 v DC / 10 ms



5	cable beige	1	pcs
4	Conn 1 USB AM white insulation shell plated:nickel molding beige	1	pcs
3	Conn 2 MD6F black insulation shell plated:nickel molding green	1	pcs
2	Conn 2 MD6F black insulation shell plated:nickel molding purple	1	pcs
1	B11-AA310001 USB TO PS/2 ADAPTOR marking:USB TO PS/2 beige L=240MM	1	pcs
NO	ITEM		

REV	ECN	TOLERANCE INCHES M/M	DESCRIPTION	DATE	NAME
.X	.015	.30	SECCOMP		
.XX	.010	.10			
.XXX	.005	.05			
TITLE: USB To PS/2 Adapter			CUSTOMER: 12.99.1075		
DRAWN BY: ZhouWenLong			CUSTOMER NO.:		
CHECK BY:			SCALE: NONE		
APPD BY:			UNIT: MM		
			DATE: 2017.04.05		
			DRAWING NO.: CA1790160		
			REV: A01		
			1/1		