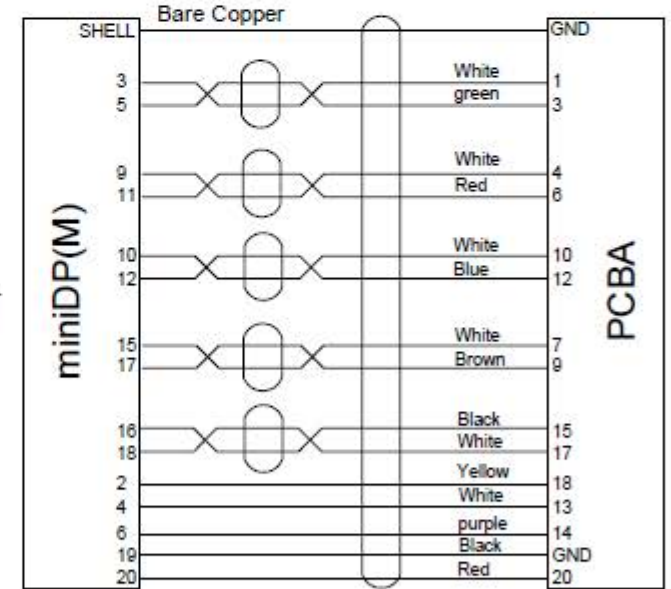
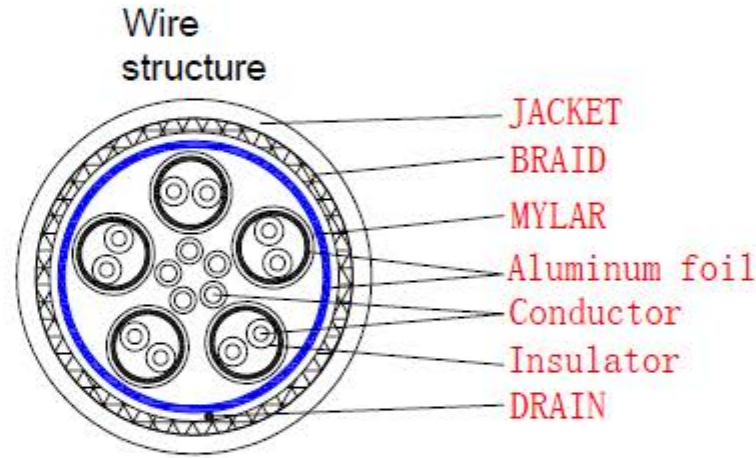
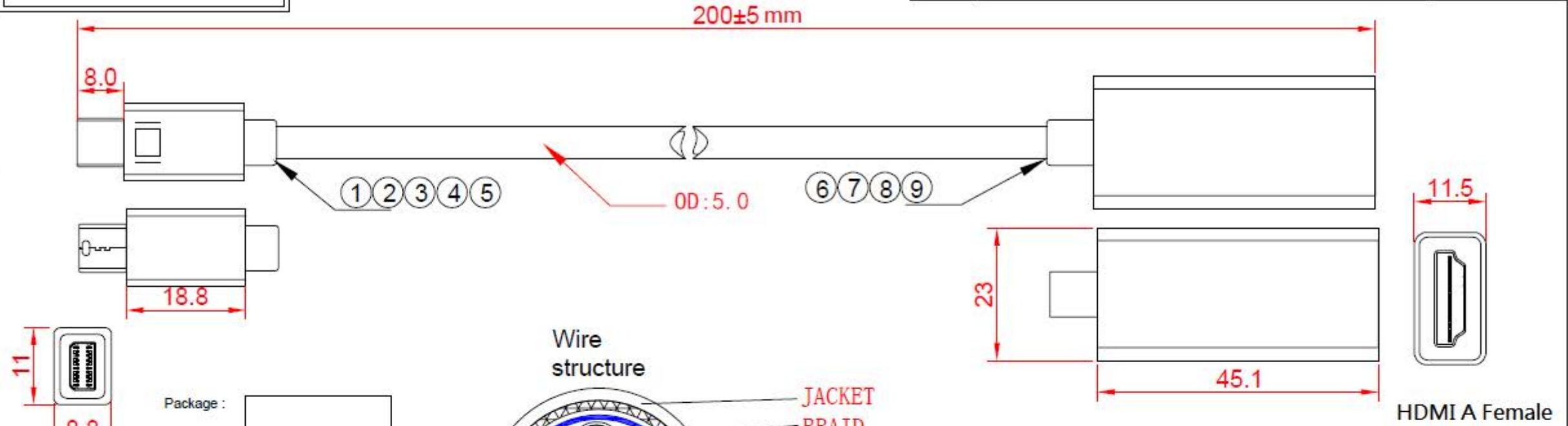
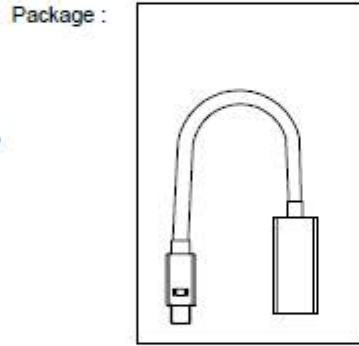


RoHS Compliant

REV	DESCRIPTION OF CHANGE	DATE
A0	INITIAL RELEASE	2018-07-18



Mini DP Male



9	Plug	HDMI-A Female ,Nickel Plated	1	Pcs
8	PCB	25.5*17*1.6mm PR4	1	Pcs
7	SR	PVC 45P	1	Pcs
6	Housing	ABS 45.1*23.0*11.5mm	1	Pcs
5	Cap	LDPE	1	Pcs
4	Housing	ABS 18.7*11.0*8.8mm	1	Pcs
3	Inner molding	PE	0.75	g
2	Plug	mini DP Male ,Gold Plated	1	Pcs
1	cable spec	(1P*32#+AL+ML) *5+5C*32#+AL+D+128B (AL-MG) OD5.0mm Black Tinned Copper	20	CM
Serial number	Material Science	describe	QTY	UMIT

DWG NO	UNIT: MM
REV	Arbitrarily proportions
PAGE	1/1
DESIGN	AM
CHECKED	
Product model	

SECOMP

VALUE Cable Adapter
Mini DP-HDMI, M/F, black

Item No. 12.99.3130