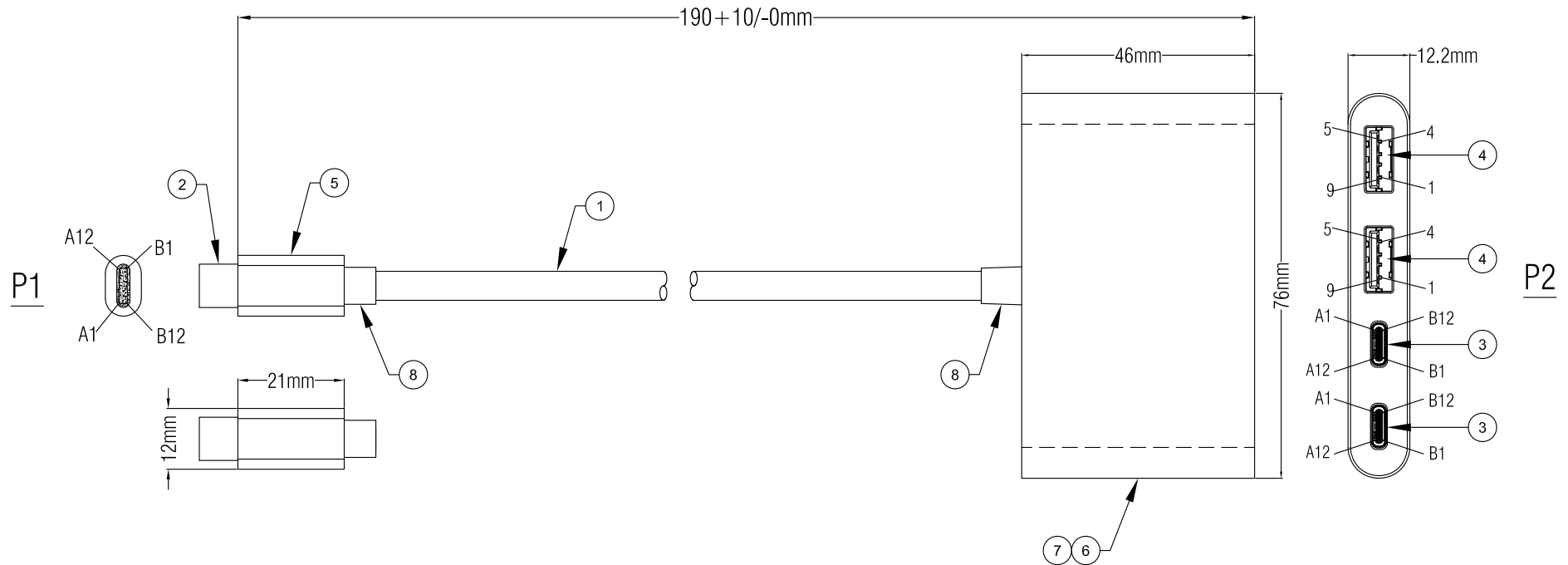


RoHS Compliant



Function test:
1.AF*2+CF*2 Support USB 3.2 Gen2 10Gbps

8	45P BLACK PVC		G
7	PCB'A(IC:VL822)	1	PCS
6	TYPE C*2+AF*2 BLACK ABS SHELL	1	PCS
5	TYPE C BLACK ABS SHELL	1	PCS
4	USB A FEMALE(Blue Insulator, Nickel Plated)	2	PCS
3	USB TYPE C FEMALE(Black Insulator, Nickel Plated)	2	PCS
2	USB TYPE C MALE(Black Insulator, Nickel Plated)	1	PCS
1	UL2725 (32#*1P+DAM)*2P+32#*1P+24#*2C+ADB,OD=4.0mm,BLACK PVC JACKET.	1	PCS
NUMBER	BOM.NO	PRODUCT SPECIFICATIONS	Quantity Unit

VALUE USB3.2 Gen2 Hub, 4x Ports(2xA+2xC)	
Item	14.99.5041
Draw	<i>Koeb</i> Date: 2022.07.29
Approval	
Duty	F16 BOM.NO:

SECOMP