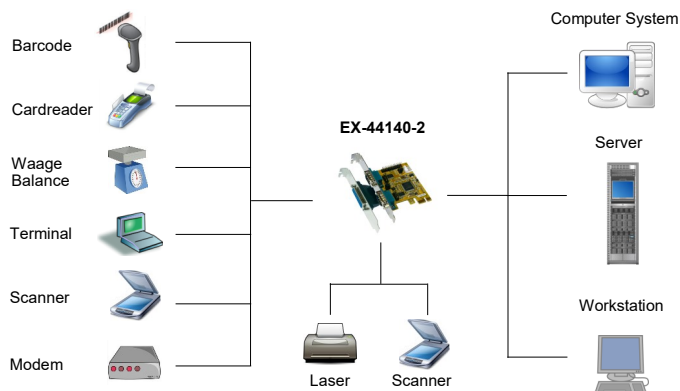


Bild / Picture



2 Seriell RS-232 / 1 Parallel Multi I/O
PCIe Karte (MosChip Chip-Set)

Anwendung / Application



2 Serial RS-232 / 1 Parallel Multi I/O
PCIe card (MosChip Chip-Set)

Beschreibung

Die EX-44140-2 PCIe Multi I/O Karte stellt zwei serielle RS-232 High Performance UART 16C550 und einen Parallelen EPP/ECP Ausgang zur Verfügung. Sie ist entwickelt worden um zwei weitere Serielle Ausgänge sowie einen Parallelen Centronics Ausgang für PC, kleine Workstation oder Server über den PCIe Bus zu erweitern. +5V und +12V sind auf Pin 9 des seriellen Stecker konfigurierbar POS System (Power over System).

Description

The EX-44140-2 PCIe Multi I/O card provides two serial RS-232 High Performance UART 16C550 and one parallel EPP/ECP output. It is designed to expand two additional serial outputs and one Parallel Centronics output for PCs, small workstations or servers over the PCIe bus. +5V and +12V are configurable on pin 9 of the serial connector POS system (Power over System). The EX-44140-2 comes with low profile brackets for slim computer cases up to 8 cm high.

Merkmale

Features

<ul style="list-style-type: none"> Schnittstelle: RS232 V.24 und Parallel Centronics EPP/ECP/SPP 	<ul style="list-style-type: none"> Interface: RS232 V.24 and Parallel Centronics EPP/ECP/SPP
<ul style="list-style-type: none"> FIFO Buffer: 16C550 mit 16Byte 	<ul style="list-style-type: none"> FIFO Buffer: 16C550 with 16Byte
<ul style="list-style-type: none"> ±15kV IEC1000-4-2 ESD Schutz für RS232 I/O's 	<ul style="list-style-type: none"> ±15KV IEC1000-4-2 ESD Protection for RS232 I/O's
<ul style="list-style-type: none"> I/O Adressen und Interrupt wird vom System BIOS vergeben 	<ul style="list-style-type: none"> I/O addresses and Interrupt will set from the system BIOS, IRQ sharing
<ul style="list-style-type: none"> Daten Bits: 5, 6, 7, 8 	<ul style="list-style-type: none"> Data Bits: 5, 6, 7, 8
<ul style="list-style-type: none"> Stop Bits: 1, 1.5, 2 	<ul style="list-style-type: none"> Stop bits: 1, 1.5, 2
<ul style="list-style-type: none"> Parity: none, even, odd, space, mark 	<ul style="list-style-type: none"> Parity: none, even, odd, space, mark
<ul style="list-style-type: none"> Signale: TxD, RxD, RTS, CTS, DTR, DSR, DCD, GND 	<ul style="list-style-type: none"> Signal: TxD, RxD, RTS, CTS, DTR, DSR, DCD, GND
<ul style="list-style-type: none"> +5V und +12V ist auf Pin 9 vom Seriellen Stecker einstellbar 	<ul style="list-style-type: none"> +5V and +12V is adjustable on pin 9 of the serial connector

System / OS

Geprüft / Approved

Verpackung / Packaging



Spezifikation

Specification

Chip-Set:	MosChip MCS9901CV	Chip-Set:	MosChip MCS9901CV
Datentransfer-Rate:	300Baud bis 115.2KBaud	Data transfer rate:	300Baud up to 115.2KBaud
Anschlüsse:	2 x 9 Pin Seriell RS-232 Stecker 1 x 25 Pin Parallel Buchse mit Slot-Adapter 1 x 4 Pin Strom Floppy-Stecker	Connectors:	2 x 9 pin serial RS-232 male 1 x 25 pin parallel female with slot adapter 1 x 4 pin power connector
Hardwaresysteme:	PCIe x1 bis x16 Slot	Hardware system:	PCIe x1 to x16 slot
Treiber:	DOS, Win9.x/ME/2000/XP/Vista/7/8.x/10 (32&64) Server 200x & 2012 R2, Linux	Driver:	DOS, Win9.x/ME/2000/XP/Vista/7/8.x/10 (32&64) Server 200x & 2012 R2, Linux
Betriebssysteme:	Gemäß Treiber	Operating systems:	In accordance with driver
Betriebstemperatur :	0°C bis +55°C Celsius	Operating temperature :	32°F up to 131°F Fahrenheit
Lagertemperatur:	-40°C bis +75°C Celsius	Storage temperature:	-40°F up to 167°F Fahrenheit
Rel. Luftfeuchtigkeit:	5% bis 95%	Rel. Humidity:	5% to 95%
Stromversorgung:	+3.3Volt über den PCIe-Slot	Current Supply:	+3.3V over the PCIe-slot
Abmessung:	65.00 x 70.00 mm	Size:	65.00 x 70.00 mm
Gewicht:	200 g	Weight:	200 g
EAN:	4718359441455	EAN:	4718359441455
Ursprungsland:	Taiwan	Country of origin:	Taiwan
Lieferumfang:	EX-44140-2, 25 Pin Slot Adapter, Treiber CD, Handbuch	Packaging contents:	EX-44140-2, 25 pin slot adapter, Driver CD, Manual