

Lenco

Model SCD-685BK



User manual – Portable DAB+/FM radio with CD MP3, Bluetooth, USB and SD player
Gebbruikshandleiding – Draagbare DAB+/FM-radio met CD MP3, Bluetooth, USB- en SD-speler
Bedienungsanleitung – Tragbares DAB+/FM-Radio mit CD/MP3-, Bluetooth-, USB- und SD-Player
Mode d'emploi – Radio DAB+/FM portative avec CD MP3, Bluetooth, USB et lecteur de carte SD
Manual de usuario – Radio DAB+/FM portátil con CD MP3, Bluetooth, USB y reproductor SD

Index	
English	3
Nederlands	16
Deutsch.....	29
Français.....	43
Español	56

CAUTION:

Usage of controls or adjustments or performance of procedures other than those specified herein may result in hazardous radiation exposure.

This unit should not be adjusted or repaired by anyone except qualified service personnel.

PRECAUTIONS BEFORE USE**KEEP THESE INSTRUCTIONS IN MIND:**

1. Do not use this device near water.
2. Clean only with a slightly damp cloth.
3. Do not cover or block any ventilation openings. When placing the device on a shelf, leave 5 cm (2") free space around the whole device.
4. Install in accordance with the supplied user manual.
5. * Don't step on or pinch the power adaptor. Be very careful, particularly near the plugs and the cable's exit point. Do not place heavy items on the power adaptor, which may damage it. Keep the entire device out of children's reach! When playing with the power cable, they can seriously injure themselves.
6. * Unplug this device during lightning storms or when unused for a long period.
7. Keep the device away from heat sources such as radiators, heaters, stoves, candles and other heat-generating products or naked flame.
8. Avoid using the device near strong magnetic fields.
9. Electrostatic discharge can disturb normal usage of this device. If so, simply reset and restart the device following the instruction manual. During file transmission, please handle with care and operate in a static-free environment.
10. Warning! Never insert an object into the product through the vents or openings. High voltage flows through the product and inserting an object can cause electric shock and/or short circuit internal parts. For the same reason, do not spill water or liquid on the product.
11. Do not use in wet or moist areas such as bathrooms, steamy kitchens or near swimming pools.
12. Do not use this device when condensation may occur.
13. Although this device is manufactured with the utmost care and checked several times before leaving the factory, it is still possible that problems may occur, as with all electrical appliances. If you notice smoke, an excessive build-up of heat or any other unexpected phenomena, you should disconnect the plug from the main power socket immediately.
14. This device must operate on a power source as specified on the specification label. If you are not sure of the type of power supply used in your home, consult your dealer or local power company.
15. * The socket outlet must be installed near the equipment and must be easily accessible.
16. * Do not overload ac outlets or extension cords. Overloading can cause fire or electric shock.
17. * Devices with class 1 construction should be connected to a main socket outlet with a protective earthed connection.
18. * Devices with class 2 construction do not require a earthed connection.
19. Keep away from rodents. Rodents enjoy biting on power cords.
20. * Always hold the plug when pulling it out of the main supply socket. Do not pull the power cord. This can cause a short circuit.
21. Avoid placing the device on any surfaces that may be subject to vibrations or shocks.
22. To clean the device, use a soft dry cloth. Do not use solvents or petrol based fluids. To remove severe stains, you may use a damp cloth with dilute detergent.
23. The supplier is not responsible for damage or lost data caused by malfunction, misuse, modification of the device or battery replacement.
24. Do not interrupt the connection when the device is formatting or transferring files. Otherwise, data may be corrupted or lost.
25. If the unit has USB playback function, the usb memory stick should be plugged into the unit directly. Don't use an usb extension cable because it can cause interference resulting in failing of data.
26. The apparatus shall not be exposed to dripping or splashing and make sure that no objects filled with liquids, such as vases, are placed on or near the apparatus.
27. * To completely disconnect the power input, the mains plug of the apparatus shall be disconnected from the mains, as the disconnect device is the mains plug of apparatus.
28. If the unit works with battery, Battery shall not be exposed to excessive heat such as sunshine, fire or the like.
29. Attention should be drawn to the environmental aspects of battery disposal.
30. The apparatus can only be used in moderate extremely cold or climates warm environments should be avoided.
31. The rating label has been marked on the bottom or back panel of the apparatus.
32. This device is not intended for use by people (including children) with physical, sensory or mental disabilities, or a lack of experience and knowledge, unless they're under supervision or have received instructions about the correct use of the device by the person who is responsible for their safety.

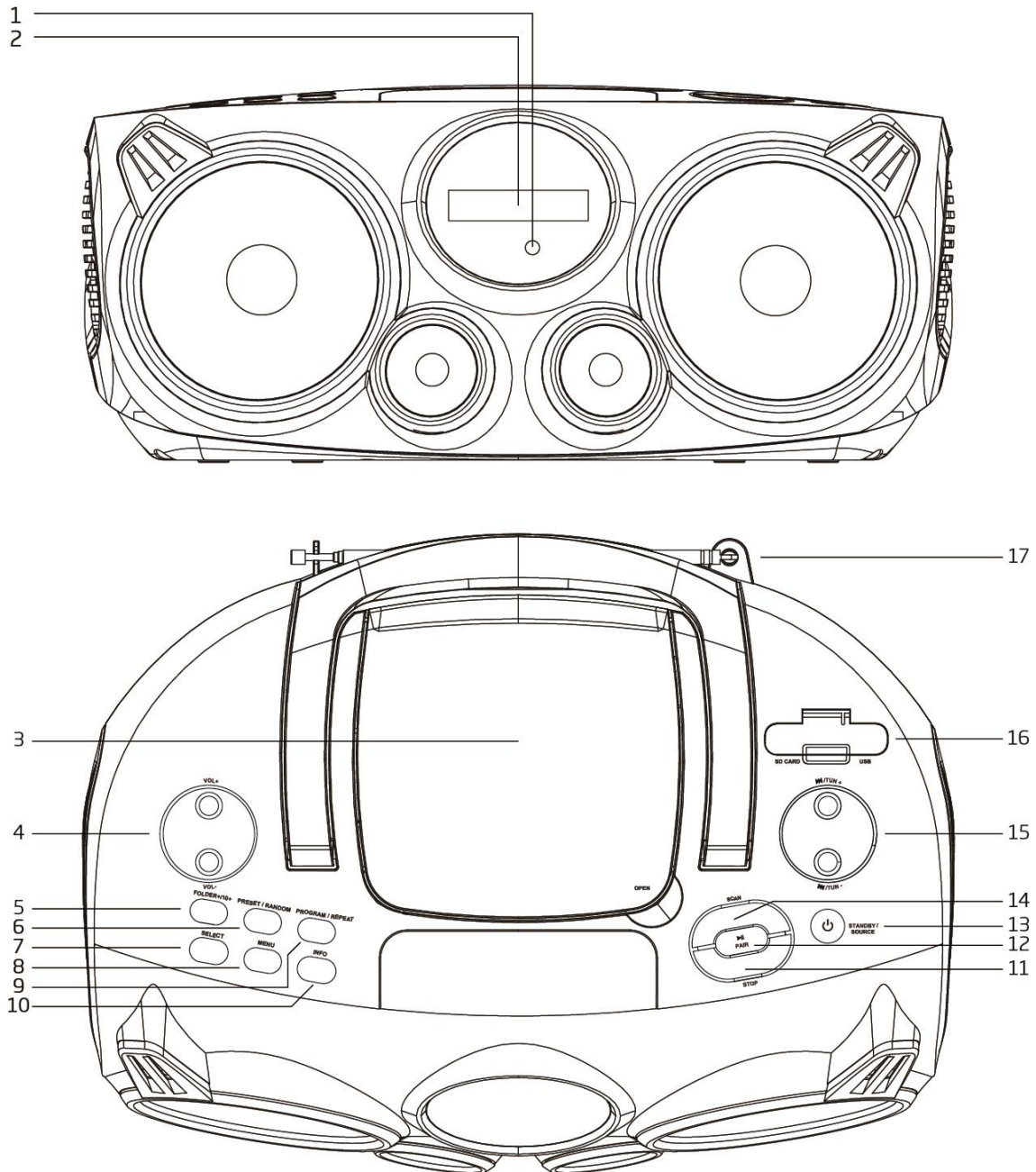
33. This product is intended for non professional use only and not for commercial or industrial use.
34. Make sure the unit is adjusted to a stable position. Damage caused by using this product in an unstable position or by failure to follow any other warning or precaution contained within this user manual will not be covered by warranty.
35. Never remove the casing of this apparatus.
36. Never place this apparatus on other electrical equipment.
37. Do not use or store this product in a place where it is subject to direct sunlight, heat, excessive dust or vibration.
38. Do not allow children access to plastic bags.
39. Only use attachments/accessories specified by the manufacturer.
40. Refer all servicing to qualified service personnel. Servicing is required when the apparatus has been damaged in any way, such as the power supply cord or the plug, when liquid has been spilled or objects have fallen into the apparatus, when the apparatus has been exposed to rain or moisture, does not operate normally, or has been dropped.
41. * Do not use a damaged power cord or plug or a loose outlet. Doing so may result in fire or electric shock.
42. Prolonged exposure to loud sounds from personal music players may lead to temporary or permanent hearing loss.

INSTALLATION




- Unpack all parts and remove protective material.
- * Do not connect the unit to the mains before checking the mains voltage and before all other connections have been made.

*** Those instruction are related only to products using power cable or AC power adaptor.**

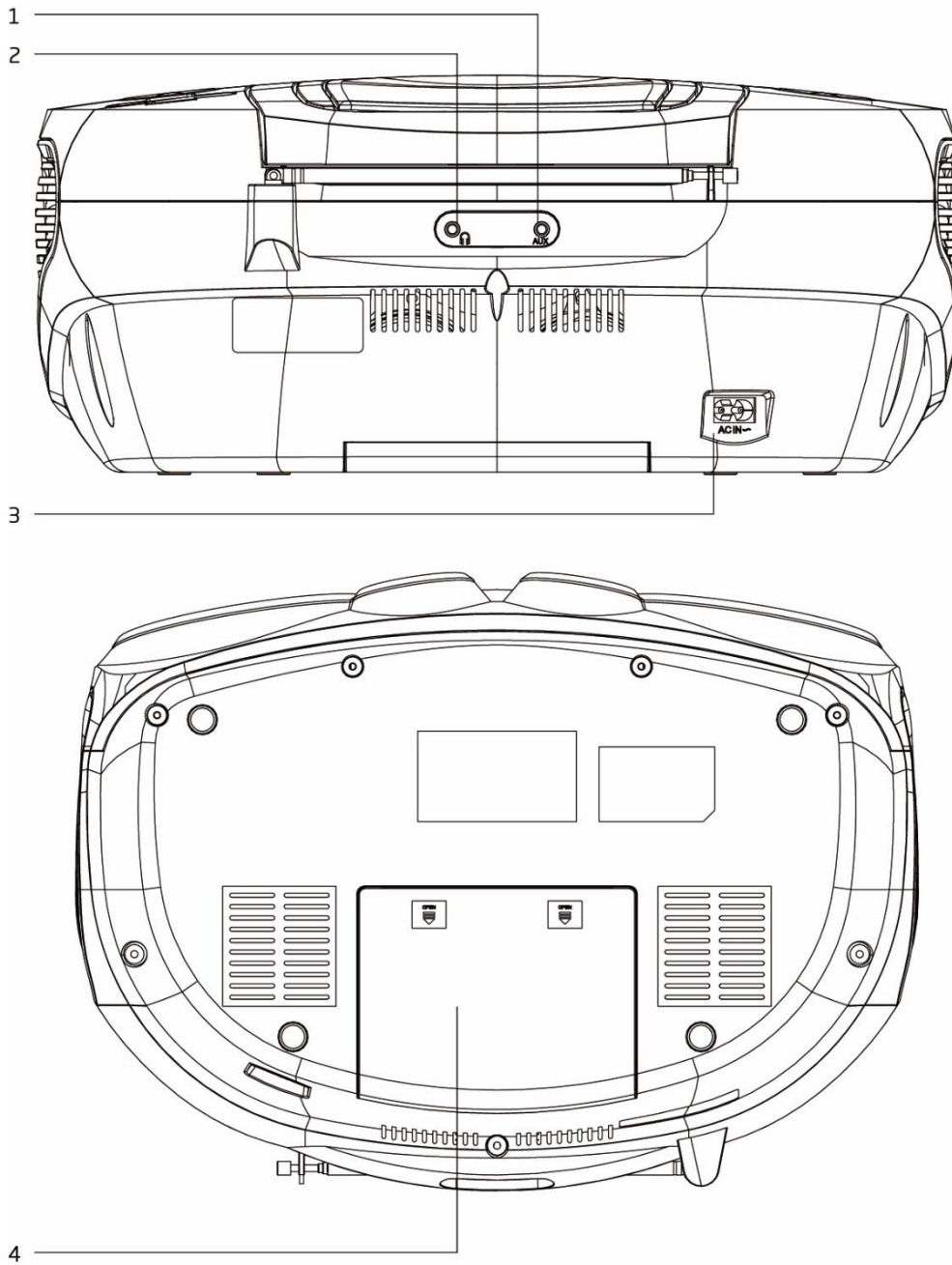
FRONT & TOP



1. IR RECEPTION WINDOW
2. DISPLAY
Display the unit operation status and information
3. CD DISC COMPARTMENT DOOR
4. VOL +/VOL -
Adjust the main volume
5. FOLDER+/10+
CD/USB/SD: During playback, press to search to the current track number increase by 10
Press and hold will search to the next folder (folder up)
6. PRESET/RANDOM
DAB/FM: Press to enter the preset channel recall operation
Press and hold to enter the preset channel storage operation
CD/USB/SD: During playback, press to start the random playback. Press again will return to normal playback
7. SELECT
Press to select the change setting in the menu operation
8. MENU
Press to enter the Menu for setting change

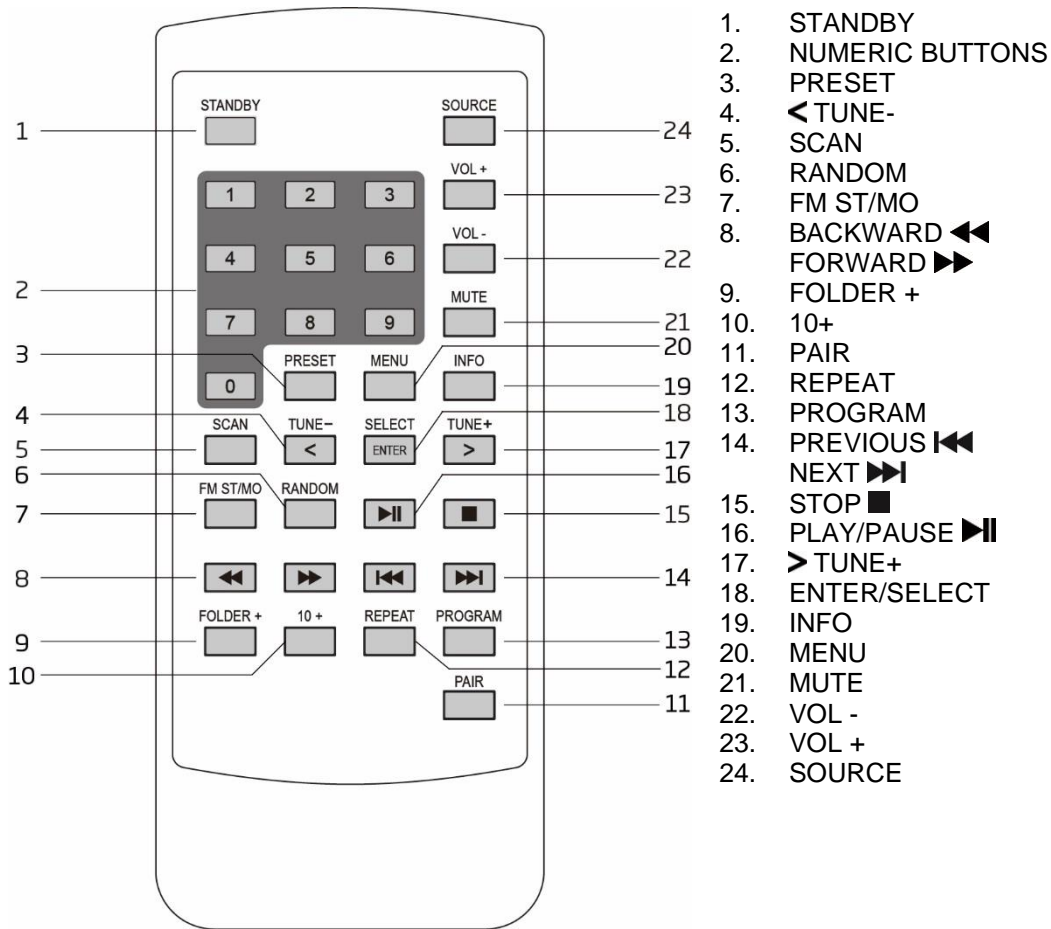
9. PROGRAM/REPEAT
CD/USB/SD: During playback, press to start the repeat playback operation
In stop mode, press to enter the program playback setup
10. INFO
DAB/FM: Press to display station information
CD/USB/SD: During MP3 playback, press to display the folder/track number or track/playing time
11. STOP
Press to stop the CD/USB/SD playback operation
12. /PAIR
CD/USB/SD/BT: Press to toggle between pause and resume playback operation.
BT: Press and hold will disconnect the current connection and start to search another new Bluetooth device
13. STANDBY/SOURCE
Press to turn on the unit. Press and hold to turn off and go to Standby mode
After the unit is turned on, press this key will choose different modes of operation: DAB/FM/CD/USB/SD/BT/AUX
14. SCAN
DAB: Press to start auto-scanning and store all available DAB stations
FM: Press to scan for the next available FM station
15. /TUN- and /TUN+
DAB: Press to display the next station information
FM: Short press to tune to a different frequency
Press and hold to scan the next available station
CD/USB/SD/BT: During playback, press to search to the previous or next track
16. USB and SD CARD INPUT
17. TELESCOPIC ANTENNA
It should be extended to ensure a good DAB/FM reception

REAR & BOTTOM



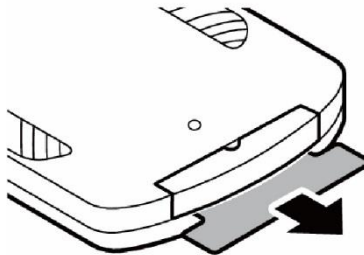
1. AUX
Connect to external audio player
2. HEADPHONE OUT JACK
Connect to the external headphone
3. AC IN ~
Connect the power cable to this jack
4. BATTERY COMPARTMENT DOOR

REMOTE CONTROL

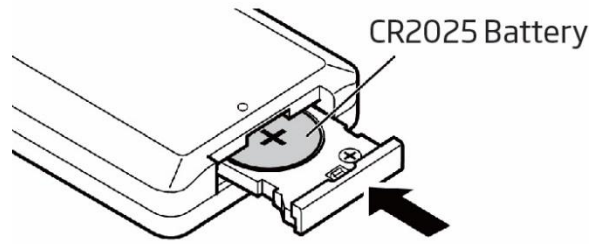
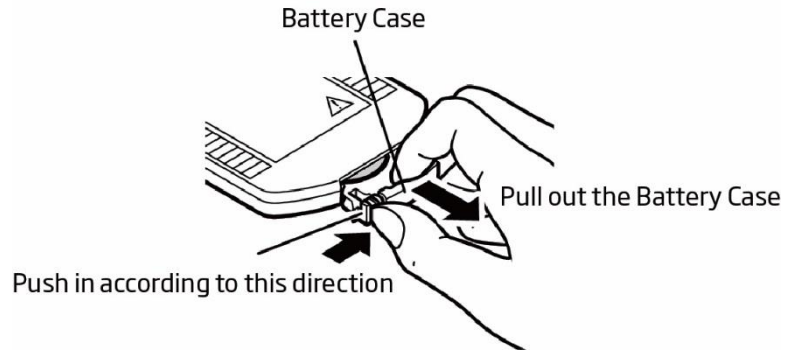


Remote Control Operation

A CR2025 battery is already installed in the remote control unit. Before using, pull out the battery insulation sheet as shown below.



To replace a new battery, please refer to the figure shown below. When inserting a battery, be sure to do so in the proper direction.



- If the remote control conflicts with other devices, the operation will be affected.
- Do not simultaneously press buttons on the unit and the remote control.
- Avoid using two remote controls at the same time as it will cause a malfunction.
- Use only CR-2025 size batteries.
- If there is battery leakage, clean the remote control thoroughly before replacing batteries.
- Do not short two terminals of the batteries. Dispose old batteries in a suitable place.

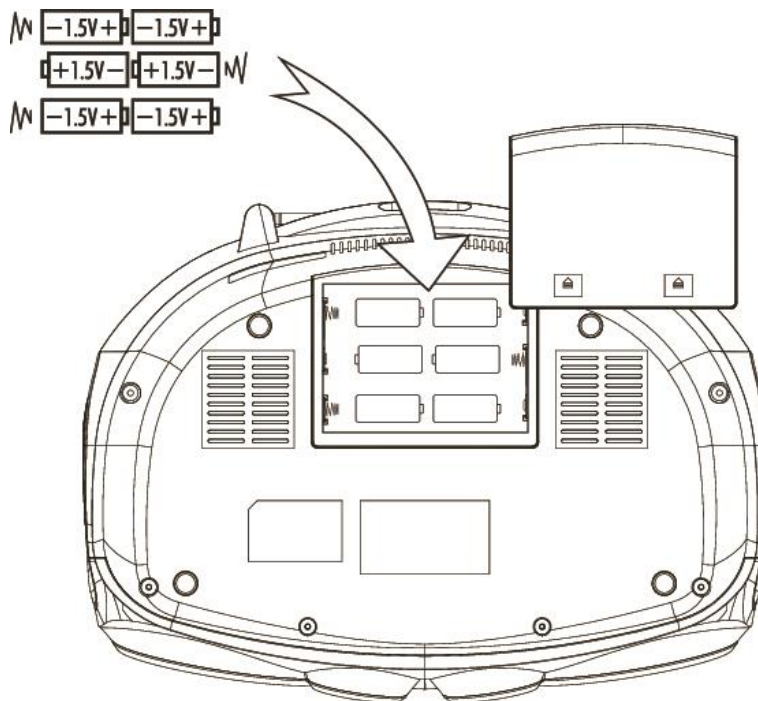
CONNECTING TO THE POWER SUPPLY

1. Connect the end of the detachable power cord to the unit rear panel AC IN ~ jack and the other end to the AC outlet.
2. Press the STANDBY button to turn on the unit.

DC CONNECTION

For DC operation, firstly remove the AC plug from the AC outlet and disconnect the AC cord from the AC IN ~ jack. Then insert 6 pcs size C (UM-2) batteries into the battery compartment.

Since the unit will draw little power consumption even in Standby mode, it is suggested to uninstall the battery when it is not used for a long time.



BASIC OPERATION

Press the STANDBY button to turn on the unit. To turn off, press and hold the STANDBY button again.

DAB/FM/CD/USB/SD/BT/AUX

Press the SOURCE button to select from different sources.

Volume Control

Press the VOL-/VOL+ buttons to change the volume.

Adjusting the Antenna

The telescopic antenna should be extended to ensure a good FM reception. Alter the antenna position for the best reception.

DAB OPERATION

The first time the unit is in DAB mode, it will automatically scan for DAB available stations. Wait for a while until the scanning is finished. The display will show the scanning progress. After scanning it will tune to the first station. Stations are listed in numerical then alphabetic order. All stations scanned are stored. The next time the unit is turned on there will be no automatic scanning.

Auto Scan

1. Turn on the unit in DAB mode.
2. Press the SCAN button to start auto-scanning the available stations.

Manual Scan

1. Turn on the unit in DAB mode.
2. Press MENU button to access the menu control.
3. Press the < TUNE- or > TUNE+ button until "Manual tune" is displayed and then press the ENTER button.
4. Press the < TUNE- or > TUNE+ button to select the desired channel (5A-13F).
5. To select another channel (5A-13F), press the < TUNE- or > TUNE+ button.
6. Press ENTER to confirm.

Tuning

Press the < TUNE- or > TUNE+ button to display the information of the next station. Then press the ENTER button to tune to this station in few seconds.

Storing DAB Presets

You can save up to 20 DAB stations.

1. Tune to the station you wish to store.
2. Press and hold the PRESET button. Flashing preset channel number will be displayed.
3. Press the < TUNE- or > TUNE+ button to a preset number that you want to store. Then press the ENTER button to save.

Recall DAB Presets

1. Press the PRESET button. Steady preset channel number will be displayed.
2. Press the < TUNE- or > TUNE+ button to a preset number that you want to recall. Then press the ENTER button to tune to the preset channel.

Displaying DAB Station Information

There are several types of information as listed below. To change the display information, press the INFO button repeatedly.

1. Radio Text scrolling
Comprises music titles or programme details provided by the broadcaster.
2. Program Type (PTY)
Type of programme provided by the broadcaster.
3. Multiplex Name
Displays name of multiplex to which the current station belongs.
4. Channel and Frequency
Channel number and frequency.
5. Audio Bit Rate
This is the current channel audio bit rate.
6. Signal Error Rate
It shows the error received. The larger this value the more the error received. To improve the reception adjust the antenna position.
7. Time and Date
The real time and current date provided by the broadcaster.

OTHER DAB MENU OPERATIONS

Press the MENU button to access the menu control. Then press the < TUNE- or > TUNE+ button for different options as described below.

Dynamic Range Control (DRC)

DRC can make quieter sounds easier to hear when the unit is used in a noisy environment. The DRC level of a broadcast is set by the broadcaster and transmitted with the service. Changing the DRC value on your unit enables you to apply a scaling factor to this level.

There are three levels of compression:

DRC High:	Maximum compression as sent with the transmitted service
DRC Low:	Set to 1/2 that of the sent transmitted service
DRC Off:	No compression

1. Press the MENU button to access the menu control.
2. Press the < TUNE- or > TUNE+ button until "DRC" is displayed and then press the ENTER button.
3. Press the < TUNE- or > TUNE+ button to select the DRC value and then press the ENTER to confirm.
4. Press the MENU button to exit the menu control.

Note:

- Not all DAB broadcasts are able to use DRC function. If the broadcast does not support DRC then the DRC setting in the unit will have no effect.
- After you have adjusted the DRC level the sound may be louder.

Prune

This function removes inactive stations.

1. Press MENU button to access the menu control.
2. Press the < TUNE- or > TUNE+ button until "Prune" is displayed and then press the ENTER button to prune the unit.
3. Press the MENU button to exit the menu control.

FM RADIO OPERATION

Auto Scan

1. Turn on the unit in FM mode.
2. Press the SCAN button to scan for the next available FM station.

Manual Scan

1. Press the < TUNE- or > TUNE+ button repeatedly to tune to a different frequency.
2. Alternatively press and hold the < TUNE- or > TUNE+ button to automatically search to the next available station.

Storing FM Presets

You can save up to 20 FM stations.

1. Tune to the station you wish to store.
2. Press and hold the PRESET button. Flashing preset channel number will be displayed.
3. Press the < TUNE- or > TUNE+ button to a preset number that you want to store. Then press the ENTER button to save.

Recall FM Presets

1. Press the PRESET button. Steady preset channel number will be displayed.
2. Press the < TUNE- or > TUNE+ button to a preset number that you want to recall. Then press the ENTER button to tune to the preset channel.

Stereo/Force Mono Selection

When receiving a stereo broadcast FM station, press the FM ST/MO button will switch between stereo audio or force mono audio.

Displaying FM Station Information

There are several types of information as listed below. To change the display information press the INFO button repeatedly.

1. Radio Text
Scrolling text with information on music titles or program details provided by the broadcaster.
2. Program Type (PTY)
Type of program provided by the broadcaster.
3. Signal Strength
The signal strength bar is displayed to show the current receive signal strength. The more the rectangles are filled, the stronger the signal is received. The unfilled rectangle on the left side is a threshold level where the signal strength received should exceed this threshold. To improve the reception adjust the antenna position.
4. Time and Date
The real time and current date provided by the broadcaster.
5. Frequency
Current channel frequency.

OTHER FM MENU OPERATION

Press the MENU button to access the menu control. Then press the < TUNE- or > TUNE+ button for different options as described below.

Scan Setting

1. Press the MENU button to access the menu control.
2. Press the < TUNE- or > TUNE+ button until "Scan setting" is displayed and then press the ENTER button.
3. Press the < TUNE- or > TUNE+ button to toggle between "All stations" or "Strong only" selections and then press the ENTER button confirm. When "All stations" is selected, all stations will be detected during FM scanning even if the radio station is noisy. When the "Strong only" is selected, only the strong stations are detected. Scanning will ignore those noisy stations.
4. The next time doing a FM scan the unit will search for the stations based on this confirmed setting.
5. Press the MENU button to exit the menu control.

Audio Setting

1. Press the MENU button to access the menu control.
2. Press the < TUNE- or > TUNE+ button until "Audio Mode" is displayed and then press the ENTER button.
3. Press the < TUNE- or > TUNE+ button to toggle between "Stereo" or "Mono" selection and then press the ENTER button confirm.
4. Press the MENU button to exit the menu control.

CD/USB/SD OPERATION

Loading and Playing CD Disc

Open the CD door. Install a disc with the CD graphic side facing up. Close the CD door. Press the SOURCE button to CD mode. After reading the total number of tracks will be shown on the display. Press the PLAY/PAUSE ►|| button to play.

Reading and Playing USB Device

Insert a USB device into the USB input jack. Press the SOURCE button to USB mode. After reading the total number of tracks will be shown on the display. Press the PLAY/PAUSE ►|| button to play.

Reading and Playing SD Card

Insert a SD card device into the SD card input jack. Press the SOURCE button to SD Card mode. After reading the total number of tracks will be shown on the display. Press the PLAY/PAUSE ►|| button to play.

Play/Pause Control

To pause playback press the PLAY/PAUSE ►|| button. Press the button again to resume playback.

Stop Control

To stop playback press the STOP ■ button.

Skip Track

During playback press the PREVIOUS ◀◀ or NEXT ▶▶ button to search to the previous or next track.

Random Play

During playback press the RANDOM button to play music in random order. The display will show "Random". Press the RANDOM button again to resume normal playback.

High-Speed Music Search

During playback press & hold the BACKWARD ◀◀ or FORWARD ▶▶ button to start high-speed searching. When you release the BACKWARD ◀◀ or FORWARD ▶▶ button normal speed playback will resume.

Repeat Playing

During playback press the REPEAT button once the display shows "Rpt.1". The current track will be played repeatedly. Press the REPEAT button again the display shows "Rpt.all". All tracks will be played repeatedly. Press the REPEAT button again to resume normal playback.

In case of MP3 file folder playback, there is a repeat folder as well and the display will show "Rpt.folder".

Folder Up (MP3 file only)

During MP3 playback press the FOLDER + button on the remote control (or press and hold the FOLDER+ button on the unit) to search to the next folder (folder up).

In stop mode press the FOLDER + button on the remote control (or press and hold the FOLDER+ button on the unit) to change the folder. Then press the PREVIOUS ◀◀ or NEXT ▶▶ button to select your desired track to play. Press the PLAY/PAUSE ►|| button to start playback the track.




Programmed Playback

This unit can be programmed to play any sequence of up to 20 tracks.

1. In stop mode press the PROGRAM button on the remote control. "P01" will be shown on the display.
2. Press the PREVIOUS ◀◀ or NEXT ▶▶ button to select the desired track.
3. Press the PROGRAM button to save the desired track.
4. Repeat steps 2-4 to program up to 20 tracks.
5. Press the PLAY/PAUSE ►|| button to play according to the programmed track.
6. To clear program play press the STOP ■ button twice or change to another mode.
7. During program play you can also do the repeat one or repeat all operation. But during program play, random play is not supported.

BLUETOOTH AUDIO

Please follow the pairing instructions below to link the unit to your Bluetooth device.

1. Press the SOURCE button repeatedly to enter the Bluetooth mode. The display will show "BT". It will start searching and will keep flashing.
 2. If the unit has never been paired with a Bluetooth device before or cannot find the last paired device, the display and the Bluetooth status indicator will keep on flashing. Turn on the Bluetooth function of your device and enable the search until "Lenco SCD-685" is found. Select "Lenco SCD-685" on the Bluetooth device to make connection. Enter the pass code "0000" if required.
 3. After successfully paired the unit will display steady "BT" without flashing.
 4. You can now start playing music from your smartphone wirelessly to the speaker.
 5. You can press the  button to pause or resume the playback.
 6. You can press the PREVIOUS  or NEXT  button to search to the previous or next song.
- Press the PAIR button on the remote control (or press and hold the PAIR button on the unit) will disconnect the current connection and start to search another new Bluetooth device

AUX IN

This allows you to connect an external player's sound through your unit.

1. Plug a 3.5mm audio cable (not included) into your external player's line out and the other end into the AUX jack.
2. Press the SOURCE button to enter AUX mode. Display shows "AUX"
3. Start your external player to play music.
4. The unit will output the sound.

ENERGY SAVING

Due to ErP stage 2 requirement and protect the environment, the unit will turn off to the standby mode automatically once no music has been playing around 15 minutes.

To reactivate the unit, press the STANDBY button to turn on the unit.

CLOCK SETUP

You can set the clock.

1. Turn off the unit to Standby mode.
 2. Press and hold the MENU button, it will show the time display format.
 3. Press the < TUNE- or > TUNE+ button to toggle between 24Hour or 12 Hour display format. Press the MENU button to continue.
 4. The Hour digits will flash. Press the < TUNE- or > TUNE+ button to change the hour value. Press the MENU button to continue.
 5. The Minute digits will flash. Press the < TUNE- or > TUNE+ button to change the minute value. Press the MENU button to complete the setup.
- The clock setting may automatically be overridden by the DAB or FM station broadcast real time information.

SOFTWARE VERSION CHECK

You can check the unit software version.

1. Turn on the unit in DAB mode or FM mode.
2. Press the MENU button to access the menu control.
3. Press the < TUNE- or > TUNE+ button until "SW Version" is displayed and then press the ENTER button to show the software version number.
4. Press the MENU button to exit the menu control.

LANGUAGE SETUP

You can set the unit's language.

1. Turn on the unit in DAB mode or FM mode.
2. Press the MENU button to access the menu control.
3. Press the < TUNE- or > TUNE+ button until "Language" is displayed and then press the ENTER button.
4. Press the < TUNE- or > TUNE+ button to toggle between different languages. Select your desired language and then press the ENTER button to confirm.
5. Press the MENU button to exit the menu control.

FACTORY RESET

This function resets the unit to the original factory settings.

1. Turn on the unit in DAB mode or FM mode.
2. Press the MENU button to access the menu control.
3. Press the < TUNE- or > TUNE+ button until "Factory Reset" is displayed and then press the ENTER button.
4. Press the < TUNE- or > TUNE+ button until "<Yes>" is displayed and then press the ENTER button to reset the unit.

ACCESSORIES

- Power cable x 1
- Remote control x 1
- Instruction manual x 1

TECHNICAL SPECIFICATIONS

DAB+ radio frequency range	174.928-239.2 MHz
FM radio frequency range	87.5-108 MHz
AC power input	230V~, 50Hz
Power consumption	22 W
Batteries Operation	6 x UM2 (C Size)
Speaker output power	2 x 5 W
Bluetooth	V2.1 + EDR
USB	USB 2.0 type A socket
SD	Full size SD card slot
Aux In	3.5mm stereo jack
Headphone out	3.5mm stereo jack
Remote control battery	CR2025 x 1pcs
Dimension (L x D x H)	372 x 160 x 273 mm
Weight	2.4 kg

- The specification presents only as a reference. The value of weight and size are approximation.
- Our product is improved ceaselessly and the specification and function may be changed without prior notice.

GUARANTEE

Lenco offers service and warranty in accordance to European law, which means that in case of repairs (both during and after the warranty period) you should contact your local dealer.

Important note: It is **not** possible to send products that need repairs to Lenco directly.

Important note: If this unit is opened or accessed by a non-official service center in any way, the warranty expires.

This device is not suitable for professional use. In case of professional use, all warranty obligations of the manufacturer will be voided.

DISCLAIMER

Updates to Firmware and/or hardware components are made regularly. Therefore some of the instruction, specifications and pictures in this documentation may differ slightly from your particular situation. All items described in this guide for illustration purposes only and may not apply to a particular situation. No legal right or entitlements may be obtained from the description made in this manual.

DISPOSAL OF THE OLD DEVICE



This symbol indicates that the relevant electrical product or battery should not be disposed of as general household waste in Europe. To ensure the correct waste treatment of the product and battery, please dispose them in accordance to any applicable local laws of requirement for disposal of electrical equipment or batteries. In so doing, you will help to conserve natural resources and improve standards of environmental protection in treatment and disposal of electrical waste (Waste Electrical and Electronic Equipment Directive).

SERVICE

For more information and helpdesk support, please visit www.lenco.com
Lenco Benelux BV, Thermiekstraat 1a, 6361 HB Nuth, The Netherlands.

LET OP:

Gebruik van bedieningen of afstellingen of uitvoer van procedures anders dan gespecificeerd in deze documentatie kan leiden tot blootstelling aan schadelijke straling.

Dit apparaat dient uitsluitend te worden aangepast of gerepareerd door gekwalificeerd onderhoudspersoneel.

VOORZORGSMAATREGELEN VOOR GEBRUIK**ONTHOUD DE VOLGENDE INSTRUCTIES:**

1. Gebruik dit apparaat niet in de buurt van water.
2. Reinig het uitsluitend met een licht vochtige doek.
3. Bedek of blokkeer de ventilatie-openingen niet. Wanneer u het apparaat op een schap plaatst, dient u 5 cm (2") vrije ruimte rondom het gehele apparaat te behouden.
4. Installeer het product volgens de meegeleverde gebruikershandleiding.
5. *Nooit op de stroomadapter stappen of deze indrukken. Wees voornamelijk voorzichtig in de buurt van de stekkers en het punt waar de kabel uit het apparaat komt. Plaats geen zware voorwerpen op de stroomadapter, om beschadiging ervan te voorkomen. Houd het gehele apparaat buiten bereik van kinderen! Wanneer kinderen met de voedingskabel spelen, kunnen zij ernstig letsel oplopen.
6. *Haal de stekker uit het stopcontact tijdens onweer of wanneer u deze langere tijd niet gebruikt.
7. Houd het apparaat uit de buurt van hittebronnen, zoals radiatoren, verwarmingen, kachels, kaarsen en andere hittegenererende producten of naakte vlam.
8. Gebruik dit apparaat niet in de buurt van krachtige magnetische velden.
9. Elektrostatische ontlading kan normaal gebruik van dit apparaat verstoren. U hoeft het apparaat in dit geval slechts te resetten en opnieuw op te starten volgens de gebruikershandleiding. Wees voorzichtig tijdens bestandsoverdracht en doe dat in een omgeving zonder statische verstoringen.
10. Waarschuwing! Steek nooit een voorwerp via de ventilatie- of andere openingen in het product. Er is hoogspanning in het product aanwezig en als u er een object insteekt, kan dat een elektrische schok veroorzaken en/of kortsluiting in de interne onderdelen. Mors om dezelfde reden geen water of vloeistof op het product.
11. Gebruik het toestel niet in vochtige ruimtes, zoals badkamers, stomende keukens of in de buurt van zwembaden.
12. Gebruik dit apparaat niet wanneer condensatie kan optreden.
13. Alhoewel dit apparaat met grote zorg gefabriceerd en verschillende keren geïnspecteerd is voordat het de fabriek verlaat, is het nog steeds mogelijk dat er problemen optreden, zoals met alle elektrische apparaten. Als u rook, een overmatige hitteontwikkeling of enig ander onverwacht verschijnsel opmerkt, moet u onmiddellijk de stekker van het netsnoer uit het stopcontact halen.
14. Dit apparaat moet aangedreven worden door een voedingsbron, zoals aangegeven op het specificatieplaatje. Als u twijfelt over het type voeding dat gebruikt wordt in uw huis, raadpleeg dan a.u.b. uw dealer of plaatselijk energiebedrijf.
15. *Het stopcontact moet in de buurt van de apparatuur zijn geïnstalleerd en eenvoudig te bereiken zijn.
16. *Overbelast stopcontacten of verlengsnoeren niet. Overbelasting kan brand of een elektrische schok veroorzaken.
17. *Apparaten met een Klasse 1 structuur dienen te worden aangesloten op een stopcontact met een beschermende aardverbinding.
18. *Apparaten met een Klasse 2 structuur vereisen geen aardverbinding.
19. Houd ze uit de buurt van knaagdieren. Knaagdieren knauwen graag aan voedingskabels.
20. *Houd altijd de stekker vast wanneer u deze uit het stopcontact trekt. Trek nooit aan de voedingskabel. Dit kan tot een kortsluiting leiden.
21. Vermijd om het toestel te plaatsen op een ondergrond die blootgesteld kan worden aan trillingen of schokken.
22. Gebruik een zacht, droog doekje om het apparaat te reinigen. Gebruik geen oplosmiddelen of op benzine gebaseerde vloeistoffen. U kunt een vochtig doekje met verdund schoonmaakmiddel gebruiken om hardnekkige vlekken te verwijderen.
23. De leverancier is niet verantwoordelijk voor schade of verloren gegevens veroorzaakt door storing, misbruik, modificatie van het apparaat of batterijvervanging.
24. Onderbreek nooit de verbinding wanneer het apparaat formatteert of bestanden overdraagt. De gegevens kunnen anders corrupt of verloren raken.
25. Indien het apparaat een USB-afspeelfunctie heeft, moet de USB-geheugenstick rechtstreeks op het apparaat worden aangesloten. Gebruik geen USB-verlengkabel, omdat die kan leiden tot storingen met foutieve gegevens als gevolg.
26. Het apparaat mag niet worden blootgesteld aan druppels of spatten en zorg ervoor dat er geen met vloeistof gevulde voorwerpen, zoals vazen, op of nabij het apparaat zijn geplaatst.
27. *Om de verbinding met de stroomaansluiting volledig te verbreken, moet de stekker van het apparaat uit het stopcontact worden gehaald, omdat de stekker van het apparaat de hoofdschakelaar is.
28. Indien het apparaat op batterijen kan werken, dan mogen de batterijen niet aan overmatige hitte, zoals zonlicht, open vuur e.d. worden blootgesteld.

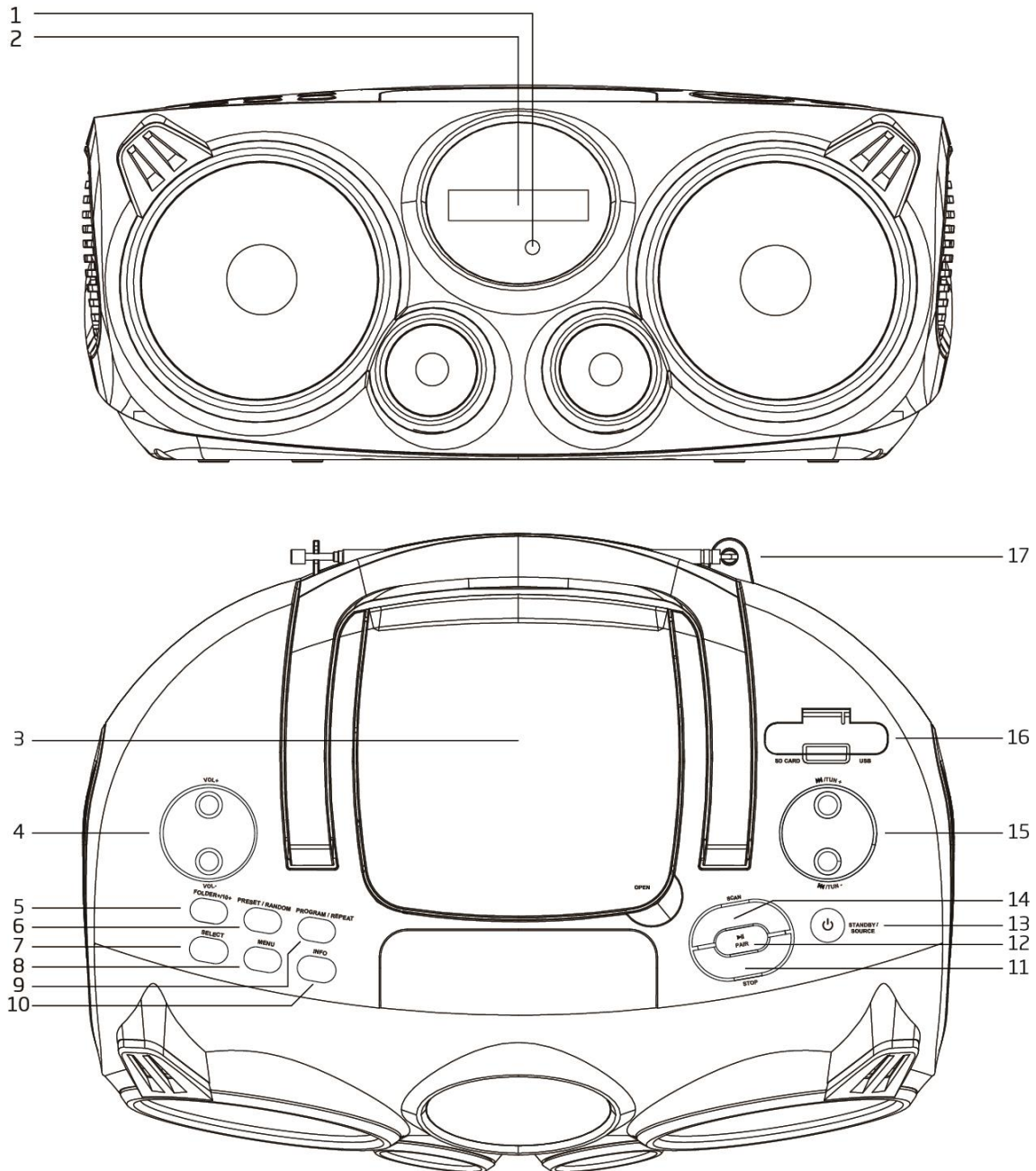
29. Aandacht voor het milieu is nodig bij het verwijderen van de batterijen.
30. Het apparaat kan alleen worden gebruikt in gematigde klimaten. Extreem koude of warme omgevingen moeten worden vermeden.
31. Het nominale specificatielabel is te vinden op het paneel aan de onder- of achterkant van het apparaat.
32. Dit apparaat is niet bestemd voor gebruik door mensen (inclusief kinderen) met fysieke, zintuiglijke of geestelijke gebreken of gebrek aan kennis en ervaring, tenzij zij onder toezicht staan of instructies hebben over het juiste gebruik van het apparaat hebben gekregen van de persoon die verantwoordelijk is voor hun veiligheid.
33. Dit product is alleen voor niet-professioneel gebruik bedoeld en niet voor commercieel of industrieel gebruik.
34. Verzeker u ervan dat het apparaat in een stabiele positie staat opgesteld. Schade, veroorzaakt door het gebruik van dit product in een onstabiele positie, of door het niet naleven van waarschuwingen of voorzorgsmaatregelen genoemd in deze handleiding, valt niet onder de garantie.
35. Verwijder nooit de behuizing van dit apparaat.
36. Plaats dit apparaat nooit op andere elektrische apparatuur.
37. Dit product niet gebruiken of opslaan op plaatsen waar het wordt blootgesteld aan direct zonlicht, hitte, buitensporig veel stof of trillingen.
38. Geef kinderen geen gelegenheid in aanraking met plastic zakken te komen.
39. Gebruik uitsluitend uitbreidingen/accessoires gespecificeerd door de fabrikant.
40. Laat alle reparaties over aan gekwalificeerd onderhoudspersoneel. Onderhoud is vereist als het toestel hoe dan ook is beschadigd, zoals bijvoorbeeld het netsnoer of de stekker, wanneer er vloeistof of een voorwerp in het apparaat is terechtgekomen, wanneer het apparaat is blootgesteld aan regen of vocht, als het niet normaal werkt of is gevallen.
41. *Gebruik nooit een beschadigde voedingskabel of stekker of een los stopcontact. Dit vormt namelijk een risico op brand of elektrische schokken.
42. Langdurige blootstelling aan luid geluid van persoonlijke muzikspelers kan leiden tot tijdelijke of permanente gehoorbeschadiging.

INSTALLATIE




- Pak alle onderdelen uit en verwijder de beschermende materialen.
- *Sluit het apparaat niet aan op het stopcontact, voordat u de netspanning hebt gecontroleerd en voordat alle andere aansluitingen zijn gemaakt.

*** deze instructies zijn enkel van toepassing voor producten met een voedingskabel of een AC voedingsadapter.**

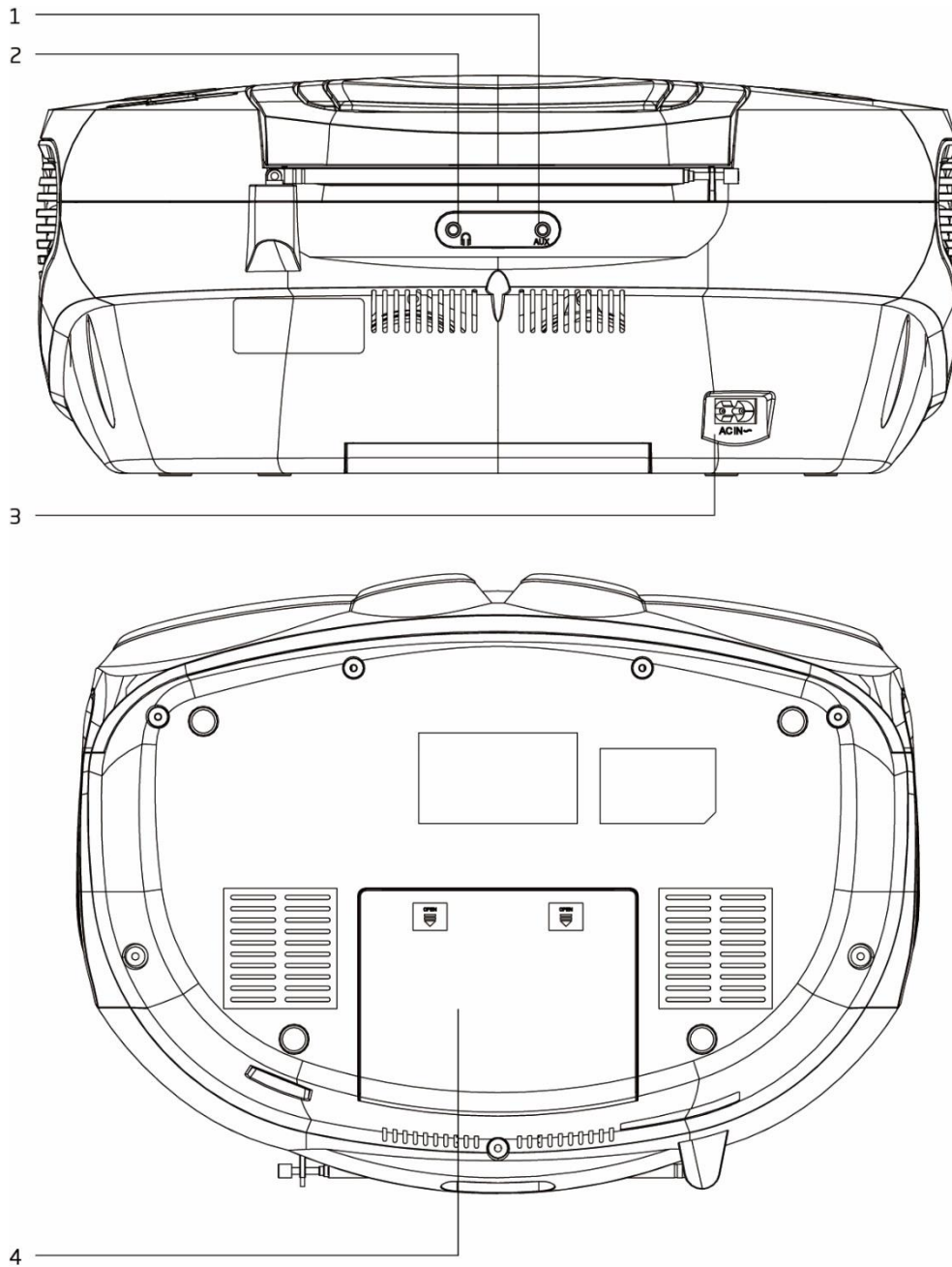
VOOR- EN BOVENZIJDJE



1. IR ONTVANGSTVENSTER
2. SCHERM
Toont de gebruiksmodus van en informatie over het apparaat
3. KLEPJE VAN DISKHOUDER
4. VOL +/VOL -
Het hoofdvolume aanpassen
5. FOLDER+/10+
CD/USB/SD: Tijdens het afspelen indrukken om het huidige tracknummer met 10 te verhogen
Ingedrukt houden om de volgende folder te selecteren (folder omhoog)
6. VOORKEUZE/WILLEKEURIG
DAB/FM: Indrukken om de herroepfunctie te openen voor voorkeuzekanalen
Ingedrukt houden om de opslagfunctie te openen voor voorkeuzekanalen
CD/USB/SD: Tijdens het afspelen indrukken om een willekeurige afspeelvolgorde te starten. Nogmaals indrukken om de normale afspeelmodus te hervatten
7. SELECTEREN
Indrukken om instellingen te veranderen in het menu
8. MENU
Indrukken om het menu te openen en instellingen te veranderen

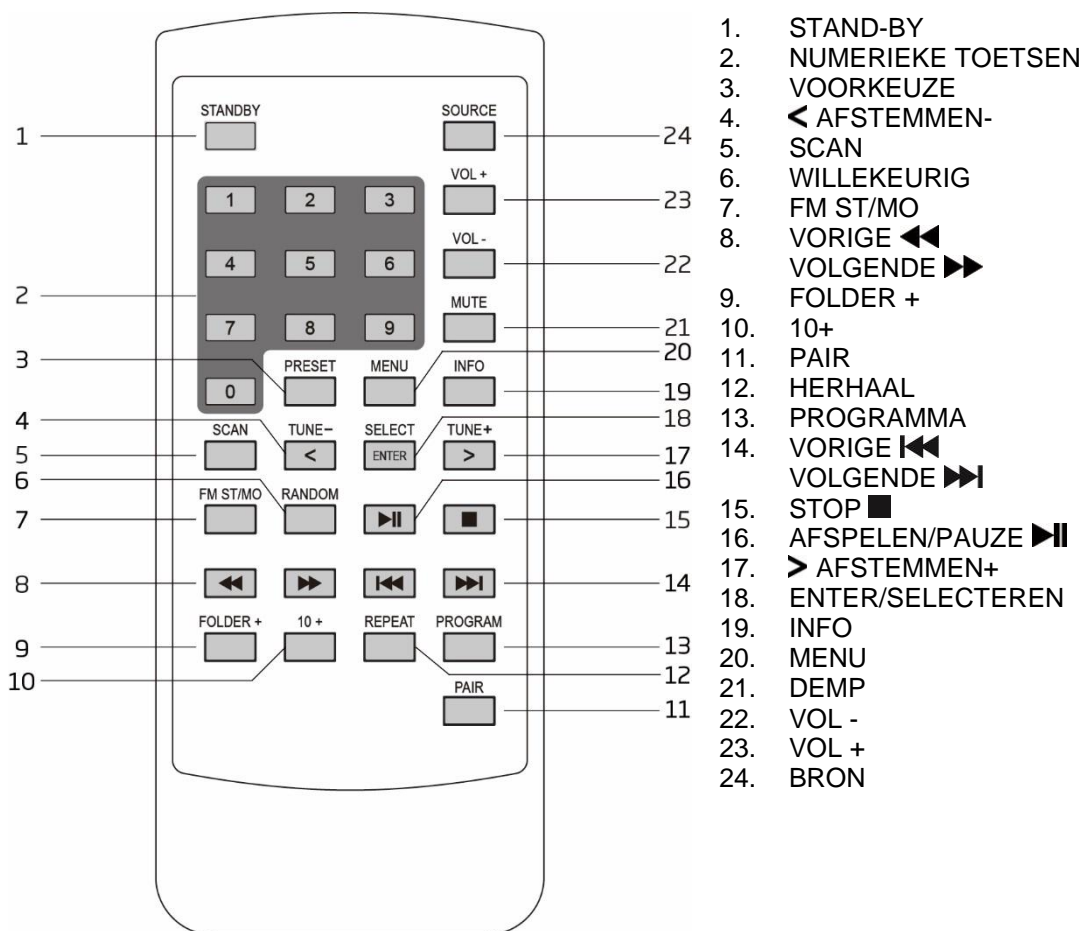
9. PROGRAMMEER/HERHAAL
CD/USB/SD: Tijdens het afspelen indrukken om de herhalende afspeelmodus te starten
In stopmodus indrukken om de instellingen te openen voor de geprogrammeerde afspeelmodus
10. INFO
DAB/FM: Indrukken om stationsinformatie weer te geven
CD/USB/SD: Tijdens MP3-weergave indrukken om de folder/het tracknummer of de track/afspeeltijd weer te geven
11. STOP
Indrukken om de CD/USB/SD-afspeelmodus te stoppen
12. /PAREN
CD/USB/SD/BT: Indrukken om het afspelen te pauzeren en hervatten.
BT: Ingedrukt houden om de huidige verbinding te verbreken en te beginnen met zoeken naar een andere nieuw Bluetooth-apparaat
13. STAND-BY/BRON
Indrukken om het apparaat in te schakelen. Indrukt houden om uit en op stand-by te schakelen
Nadat het apparaat is ingeschakeld, dan kunt u op deze toets drukken om uit verschillende gebruiksmodi te kiezen:
DAB/FM/CD/USB/SD/BT/AUX
14. SCAN
DAB: Indrukken om een automatische scan te starten en alle beschikbare DAB-stations op te slaan.
FM: Indrukken om naar het volgende beschikbare FM-station te zoeken
15. /AFSTEMMEN- en /AFSTEMMEN+
DAB: Indrukken om de volgende stationsinformatie weer te geven
FM: Kort indrukken om op een andere frequentie af te stemmen
Ingedrukt houden om naar het volgende beschikbare station te zoeken
CD/USB/SD/BT: Tijdens het afspelen indrukken om de vorige of volgende track te selecteren
16. USB- en SD-KAARTINGANG
17. TELESCOPISCHE ANTENNE
Trek deze antenne volledig uit voor een optimale DAB-/FM-ontvangst.

ACHTER- EN ONDERZIJDE



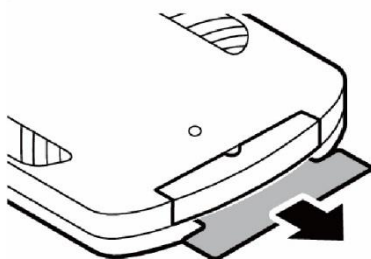
1. AUX
Sluit hier een externe audiospeler aan
2. HOOFDTELEFOONUITGANG
Sluit hier een externe hoofdtelefoon aan
3. AC IN ~
Sluit op deze ingang de voedingskabel aan
4. KLEPJE VAN BATTERIJVAK

AFSTANDSBEDIENING

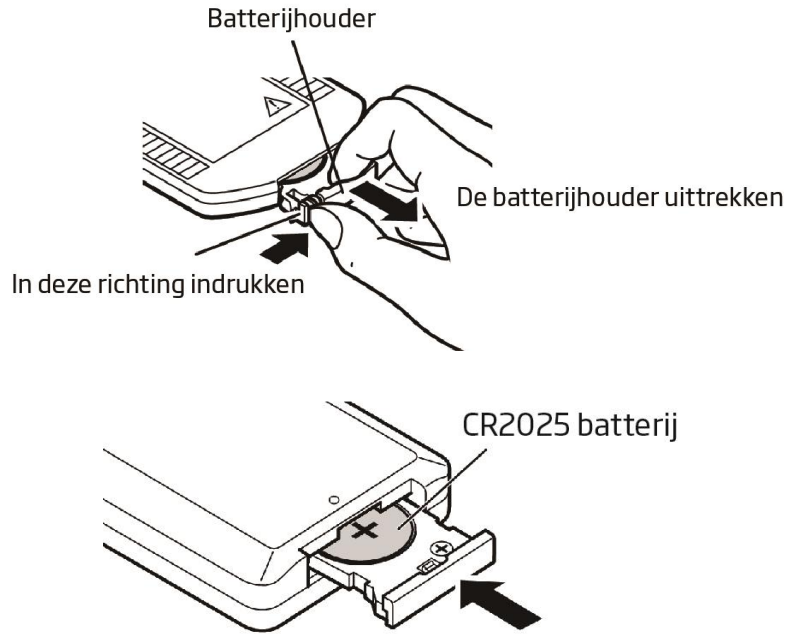


De afstandsbediening gebruiken

Er is al een CR2025 batterij geïnstalleerd in de afstandsbediening. Trek vóór gebruik de isolatiestrip van de batterij af, zoals hieronder staat afgebeeld.



Raadpleeg a.u.b. de afbeelding hieronder als u de batterij door een nieuwe wilt vervangen. Let a.u.b. op de juiste polariteitrichting wanneer u een batterij installeert.



- Als deze afstandsbediening interferentie ontvangt van andere apparatuur, dan zal de werking ervan worden aangetast.
- Druk niet gelijktijdig knoppen op het apparaat en de afstandsbediening in.
- Gebruik nooit twee afstandsbedieningen tegelijkertijd, anders zullen er storingen optreden.
- Gebruik uitsluitend type CR-2025 batterijen.
- In het geval van een lekkende batterij, maak de afstandsbediening grondig schoon voordat u de batterij vervangt.
- Verbind twee kanten van de batterijen niet met elkaar. Gooi oude batterijen weg op de daarvoor bestemde plek.

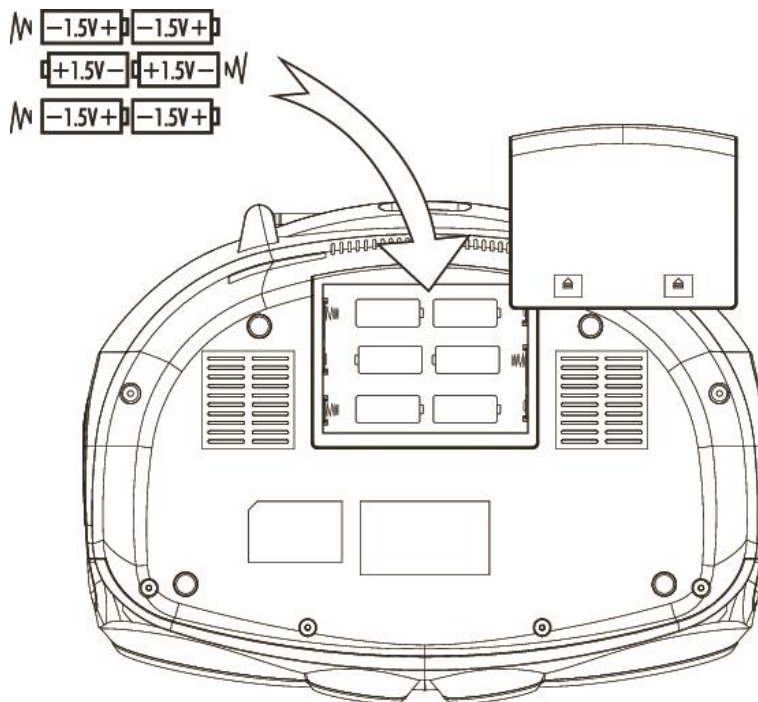
AANSLUITING OP DE VOEDING

1. Sluit het ene uiteinde van de afneembare voedingskabel aan op de ingang AC IN op het achterpaneel van het apparaat en het andere uiteinde op het AC stopcontact.
2. Druk op de toets STANDBY om het apparaat in te schakelen.

DC-AANSLUITING

Om het apparaat op DC-voeding te gebruiken, dient u eerst de AC stekker uit het AC stopcontact te trekken en de AC voedingskabel los te koppelen van de ingang AC IN~. Plaats vervolgens 6 stuks type C (UM-2) batterijen in de batterijhouder.

Omdat het apparaat nog steeds wat stroom verbruikt zelfs wanneer op stand-by geschakeld, raden wij u aan de batterij te verwijderen wanneer u het apparaat voor langere tijd niet gebruikt.



ALGEMENE BEDIENING

Druk op de toets STANDBY om het apparaat in te schakelen. Houd de toets STANDBY nogmaals ingedrukt om uit te schakelen.

DAB/FM/CD/USB/SD/BT/AUX

Druk op de toets SOURCE om van bron te wisselen.

Volumeregeling

Druk op de toets VOL-/VOL+ om het volume aan te passen.

De antenne aanpassen

De uitschuifbare antenne dient te worden uitgetrokken voor een optimale FM-ontvangst. U kunt de antennepositie aanpassen om de ontvangst te verbeteren.

BEDIENING DAB+

Als u het apparaat voor het eerst op DAB-modus schakelt, dan zal deze automatisch een scan uitvoeren voor beschikbare DAB-stations. Wacht eventjes totdat de scan is voltooid. De display zal de voortgang van de scan weergeven. De radio zal na de scan afstemmen op het eerste station. Stations staan eerst in numerieke en vervolgens in alfabetische volgorde in de lijst. Alle gescande stations worden opgeslagen. De volgende keer als u het apparaat inschakelt, zal er geen automatische scan worden uitgevoerd.

Automatische scan

1. Schakel het apparaat in op DAB-modus.
2. Druk op de toets SCAN om een automatische scan te starten en naar beschikbare stations te zoeken.

Handmatige scan

1. Schakel het apparaat in op DAB-modus.
2. Druk op de toets MENU om de menubediening te openen.
3. Druk op de knop < TUNE- of > TUNE+ totdat "Manual tune" (Handmatig afstemmen) wordt weergegeven en druk vervolgens op de toets ENTER om te openen.
4. Druk op de knop < TUNE- of > TUNE+ om het gewenste kanaal te selecteren (5A-13F).
5. Om een ander kanaal te selecteren (5A-13F), drukt u op de knop < TUNE- of > TUNE+.
6. Druk ter bevestiging op ENTER.

Afstemmen

Druk op de knop < TUNE- of > TUNE+ om de informatie van het volgende station weer te geven. Druk vervolgens op de toets ENTER om binnen enkele seconden op dit station af te stemmen.

DAB-stationsgeheugens opslaan

U kunt tot op 20 DAB-stations opslaan.

1. stem af op het station dat u wilt opslaan.
2. Houd de knop PRESET ingedrukt. Een knipperend nummer voor het voorkeuzekanaal zal worden weergegeven.
3. Druk op de toets < TUNE- of > TUNE+ om een geheugenplek te kiezen waar u het kanaal wilt opslaan. Druk vervolgens op de toets ENTER om op te slaan.

DAB-stationsgeheugens herroepen

1. Druk op de toets PRESET. Een constant nummer van een voorkeuzekanaal zal worden weergegeven.
2. Druk op de knop < TUNE- of > TUNE+ om een voorkeuzekanaal te selecteren dat u wilt herroepen. Druk vervolgens op de toets ENTER om af te stemmen op het voorkeuzekanaal.

DAB-stationsinformatie weergeven

Er zijn verschillende soorten informatie beschikbaar, zoals hieronder vermeld. Druk meerdere keren op de toets INFO om de informatie op de display te veranderen.

1. Scrollende radiotekst
Deze tekst bestaat uit muziektitels of programmadetails verstrekt door de zender.
2. Soort programma (PTY):
Type van het programma verstrekt door de zender.
3. Multiplexnaam
Toont de naam van het multiplex waartoe het huidige station behoort.
4. Kanaal en frequentie
Kanaalnummer en frequentie.
5. Audiobitsnelheid
Dit is de bitsnelheid van de audio van het huidige kanaal.
6. Foutfrequentie van signaal
Dit toont de ontvangen fouten. Hoe groter deze waarde, hoe meer fouten worden ontvangen. Pas de antennepositie aan om de ontvangst te verbeteren.
7. Tijd en datum
De daadwerkelijke tijd en huidige datum verstrekt door de zender.

OVERIGE DAB-MENUBEDIENINGEN

Druk op de toets MENU om de menubediening te openen. Druk vervolgens op de knop < TUNE- of > TUNE+ voor de verschillende hieronder beschreven opties.

Dynamische bereikcontrole (DRC)

DRC kan zachtere geluiden duidelijker hoorbaar maken wanneer het apparaat wordt gebruikt in een lawaaierige omgeving. Het DRC-niveau van een uitzending is ingesteld door de zender en wordt samen met de service verzonden. Door de DRC-waarde op uw apparaat te veranderen, kunt u een schaalfactor toepassen op dit niveau.

Er zijn drie compressieniveaus beschikbaar:

DRC Hoog:	Maximale compressie zoals verzonden door de zender.
DRC Laag:	1/2 compressie van die verzonden door de zender.
DRC Uit:	Geen compressie.

1. Druk op de toets MENU om de menubediening te openen.
2. Druk op de knop < TUNE- of > TUNE+ totdat "DRC" wordt weergegeven en druk vervolgens op de toets ENTER om te openen.
3. Druk op de knop < TUNE- of > TUNE+ om een DRC-waarde te selecteren en druk vervolgens ter bevestiging op ENTER.
4. Druk op de toets MENU om de menubediening te verlaten.

Opmerking:

- Niet alle DAB-uitzendingen kunnen gebruik maken van de DRC-functie. Als de uitzending geen DRC ondersteunt, dan zal de DRC-instelling van het apparaat geen effect hebben.
- Het geluid kan luider zijn nadat u het DRC-niveau hebt aangepast.

Stations opruimen

Deze functie verwijdert inactieve stations.

1. Druk op de toets MENU om de menubediening te openen.
2. Druk op de knop < TUNE- of > TUNE+ totdat "Prune" (Opruimen) wordt weergegeven en druk vervolgens op de toets ENTER om het apparaat op te ruimen.
3. Druk op de toets MENU om de menubediening te verlaten.

FM-RADIOBEDIENING

Automatische scan

1. Schakel het apparaat in op FM-modus.
2. Druk op de toets SCAN om naar het volgende beschikbare FM-station te zoeken.

Handmatige scan

1. Druk meerdere keren op de knop < TUNE- of > TUNE+ om op een andere frequentie af te stemmen.
2. U kunt de knop < TUNE- of > TUNE+ ook ingedrukt houden om automatisch naar het volgende beschikbare station te zoeken.

FM-stationsgeheugens opslaan

U kunt tot 20 FM zenders opslaan.

1. stem af op het station dat u wilt opslaan.
2. Houd de knop PRESET ingedrukt. Een knipperend nummer voor het voorkeuzekanaal zal worden weergegeven.
3. Druk op de toets < TUNE- of > TUNE+ om een geheugenplek te kiezen waar u het kanaal wilt opslaan. Druk vervolgens op de toets ENTER om op te slaan.

FM-stationsgeheugens herroepen

1. Druk op de toets PRESET. Een constant nummer van een voorkeuzekanaal zal worden weergegeven.
2. Druk op de knop < TUNE- of > TUNE+ om een voorkeuzekanaal te selecteren dat u wilt herroepen. Druk vervolgens op de toets ENTER om af te stemmen op het voorkeuzekanaal.

Stereo/geforceerd mono selecteren

Wanneer u een stereo FM-radiostation ontvangt, dan kunt u op de toets FM ST/MO drukken om te wisselen tussen stereo audio en geforceerde mono audio.

FM-stationsinformatie weergeven

Er zijn verschillende soorten informatie beschikbaar, zoals hieronder vermeld. Druk meerdere keren op de toets INFO om de weergegeven informatie te veranderen.

1. Radiotekst
Scrollende tekst met informatie over muziektitels of programmadetails verstrekt door de zender.
2. Soort programma (PTY):
Type van het programma verstrekt door de zender.
3. Signaalsterkte
De balk voor de signaalsterkte wordt weergegeven om de huidige ontvangen signaalsterkte te tonen. Hoe meer gevulde blokjes, hoe sterker het ontvangen signaal. Het lege blokje aan de linkerkant is een drempelwaarde waar de ontvangen signaalsterkte deze drempelwaarde dient te overschrijden. Pas de antennepositie aan om de ontvangst te verbeteren.
4. Tijd en datum
De daadwerkelijke tijd en huidige datum verstrekt door de zender.
5. Frequentie
Huidige kanaalfrequentie.

OVERIGE FM-MENUBEDIENING

Druk op de toets MENU om de menubediening te openen. Druk vervolgens op de knop < TUNE- of > TUNE+ voor de verschillende hieronder beschreven opties.

Scaninstelling

1. Druk op de toets MENU om de menubediening te openen.
2. Druk op de knop < TUNE- of > TUNE+ totdat "Scan setting" (Scaninstelling) wordt weergegeven en druk vervolgens op de toets ENTER.
3. Druk op de knop < TUNE- of > TUNE+ om te wisselen tussen "All stations" (Alle stations) en "Strong only" (Alleen krachtige) en druk vervolgens ter bevestiging op de toets ENTER. Wanneer "All stations" (Alle stations) is geselecteerd, zullen alle stations worden gevonden tijdens de FM-scan, zelfs als een radiostation veel ruis bevat. Wanneer "Strong only" (Alleen krachtige) is geselecteerd, dan worden alleen de krachtige stations gevonden. De scan zal de stations met veel ruis negeren.
4. De volgende keer dat u een FM-scan uitvoert, zal het apparaat naar stations zoeken gebaseerd op deze bevestigde instelling.
5. Druk op de toets MENU om de menubediening te verlaten.

Audio-instelling

1. Druk op de toets MENU om de menubediening te openen.
2. Druk op de knop < TUNE- of > TUNE+ totdat "Audio Mode" (Audiomodus) wordt weergegeven en druk vervolgens op de toets ENTER.
3. Druk op de knop < TUNE- of > TUNE+ om te wisselen tussen "Stereo" en "Mono" en druk vervolgens ter bevestiging op de toets ENTER.
4. Druk op de toets MENU om de menubediening te verlaten.

CD/USB/SD-BEDIENING

CD's laden en afspelen

Open het CD-klepje. Plaats een disk met de bedrukte zijde omhoog gericht. Sluit het CD-klepje. Druk op de toets SOURCE om de CD-modus te selecteren. Nadat de disk is ingelezen, zal het totale aantal tracks op de display verschijnen. Druk op de toets START/PAUZE ►|| om af te spelen.

USB-apparatuur inlezen en afspelen

Sluit een USB-apparaat aan op de USB-ingangspoort. Druk op de toets SOURCE om de USB-modus te selecteren. Nadat de disk is ingelezen, zal het totale aantal tracks op de display verschijnen. Druk op de toets START/PAUZE ►|| om af te spelen.

SD-kaarten inlezen en afspelen

Steek een SD-kaart in de SD-kaartingang. Druk op de toets SOURCE om de SD-kaartmodus te selecteren. Nadat de disk is ingelezen, zal het totale aantal tracks op de display verschijnen. Druk op de toets START/PAUZE ►|| om af te spelen.

Afspelen/pauzeren

Druk op de toets START/PAUZE ►|| om het afspelen te pauzeren. Druk weer op de toets om het afspelen te hervatten.

Stoppen

Druk om het afspelen te stoppen op de STOP ■-toets.

Tracks overslaan

Druk tijdens het afspelen op de toets VORIGE ◀◀ of VOLGENDE ▶▶ om de vorige of volgende track te selecteren.

Willekeurig afspelen

Druk tijdens het afspelen op de toets RANDOM om de tracks in willekeurige volgorde af te spelen. De display zal "Random" (willekeurig) weergeven. Druk nogmaals op de toets RANDOM om de normale afspeelmodus te hervatten.

Spoelen

Houd tijdens het afspelen de toets VORIGE ◀◀ of VOLGENDE ▶▶ ingedrukt om terug of vooruit te spoelen. Wanneer u de toets VORIGE ◀◀ of VOLGENDE ▶▶ loslaat, dan zal de normale afspeelsnelheid worden hervat.

Herhalende afspeelmodus

Druk tijdens het afspelen eenmaal op de toets REPEAT en de display zal "Rpt.1" weergeven. De huidige track zal herhalend worden afgespeeld. Druk nogmaals op de toets REPEAT en de display zal "Rpt.all" tonen. Alle tracks zullen nu worden herhaald. Druk nog een keer op de toets REPEAT om de normale afspeelmodus te hervatten.

Als u een folder met MP3-bestanden afspeelt, dan zal er ook een herhaaloptie voor de folder beschikbaar zijn en toont de display "Rpt.folder".

Folder omhoog (alleen voor MP3-bestanden)

Druk tijdens MP3-weergave op de toets FOLDER + op de afstandsbediening (of houd de toets FOLDER+ op het apparaat ingedrukt) om de volgende folder te selecteren (folder omhoog).

Druk in gestopte modus op de toets FOLDER + op de afstandsbediening (of houd de toets FOLDER+ op het apparaat ingedrukt) om van folder te wisselen. Druk vervolgens op de toets VORIGE ◀◀ of VOLGENDE ▶▶ om de track te selecteren die u wilt afspelen. Druk op de toets AFSPELEN/PAUZE ►|| om het afspelen van de track te starten.

Geprogrammeerd afspelen

Dit apparaat kan worden geprogrammeerd om tot op 20 tracks in elke gewenste volgorde af te spelen.

1. Druk in gestopte modus op de toets PROGRAM op de afstandsbediening. De display zal "P01" weergeven.
2. Druk op de toets VORIGE ◀◀ of VOLGENDE ▶▶ om de gewenste track te selecteren.
3. Druk op de toets PROGRAM om de gewenste track op te slaan.
4. Herhaal stappen 2-4 om tot op 20 tracks te programmeren.
5. Druk op de toets AFSPELEN/PAUZE ►|| om de geprogrammeerde tracks af te spelen.
6. Druk tweemaal op de toets STOP ■ of selecteer een andere modus om de programmering te wissen.
7. U kunt tijdens het geprogrammeerd afspelen ook de functies herhaal één of herhaal alles gebruiken. De willekeurige afspeelfunctie wordt tijdens het geprogrammeerd afspelen echter niet ondersteund.

BLUETOOTH-AUDIO

Volg a.u.b. de paringinstructies hieronder om het apparaat te paren met uw Bluetooth-apparaat.

1. Druk meerdere keren op de toets SOURCE om de Bluetooth-modus te openen. De display zal "BT" weergeven. Het apparaat zal nu beginnen te zoeken terwijl de display knippert.
 2. Als het apparaat nooit eerder was gepaard met een Bluetooth-apparaat of het laatst gepaarde apparaat niet kan vinden, dan zullen de display en Bluetooth-statusindicator blijven knipperen. Schakel de Bluetooth-functie van uw apparaat in en laat deze zoeken totdat "Lenco SCD-685" is gevonden. Selecteer "Lenco SCD-685" op het Bluetooth-apparaat om de verbinding tot stand te brengen. Voer eventueel het wachtwoord "0000" in.
 3. De indicatie "BT" zal na een geslaagde paring stoppen met knipperen en constant blijven branden.
 4. U kunt nu beginnen de muziek van uw smartphone draadloos via de luidspreker af te spelen.
 5. U kunt op de toets **▶||** drukken om het afspelen te pauzeren of hervatten.
 6. U kunt op de toets VORIGE **◀◀** of VOLGENDE **▶▶** drukken om de vorige of volgende track te selecteren.
- Druk op de toets PAIR op de afstandsbediening (of houd de toets PAIR op het apparaat ingedrukt) om de huidige verbinding te verbreken en naar een ander nieuw Bluetooth-apparaat te zoeken

AUX IN

U kunt een externe speler op deze ingang aansluiten om het geluid daarvan via uw apparaat af te spelen.

1. Sluit een 3,5mm audiokabel (niet inbegrepen) aan op de lijnuitgang van uw externe speler en sluit het andere uiteinde aan op de AUX-ingang.
2. Druk op de toets SOURCE om de AUX-modus te selecteren. De display toont "AUX".
3. Start uw externe speler om muziek af te spelen.
4. De muziek zal via het apparaat worden afgespeeld.

ENERGIEBESPARING

Wegens de vereisten van ErP fase 2 en om het milieu te beschermen, zal het apparaat automatisch op stand-by schakelen als er ongeveer 15 minuten geen muziek wordt afgespeeld.

Druk op de toets STANDBY om het apparaat weer te activeren.

KLOKINSTELLING

U kunt de klok instellen.

1. Schakel het apparaat uit en op stand-by.
 2. Houd de toets MENU ingedrukt en het formaat voor de tijdweergave wordt weergegeven.
 3. Druk op de knop **< TUNE-** of **> TUNE+** om het tijdformaat te wisselen tussen 24 uur en 12 uur. Druk op de toets MENU om verder te gaan.
 4. De uurweergave zal knipperen. Druk op de knop **< TUNE-** of **> TUNE+** om de uurwaarde aan te passen. Druk op de toets MENU om verder te gaan.
 5. De minuutweergave zal nu knipperen. Druk op de knop **< TUNE-** of **> TUNE+** om de minuutwaarde aan te passen. Druk op de toets MENU om de instelling af te ronden.
- De klokinstelling kan automatisch worden overschreven door de real-time informatie van DAB- of FM-stationsuitzendingen.

DE SOFTWAREVERSIE CONTROLEREN

U kunt de softwareversie van het apparaat controleren.

1. Schakel het apparaat in op DAB- of FM-modus.
2. Druk op de toets MENU om de menubediening te openen.
3. Druk op de knop **< TUNE-** of **> TUNE+** totdat "SW Version" (SW-versie) wordt weergegeven en druk vervolgens op de toets ENTER om het nummer van de softwareversie weer te geven.
4. Druk op de toets MENU om de menubediening te verlaten.

TAALINSTELLING

U kunt de taal instellen van het apparaat.

1. Schakel het apparaat in op DAB- of FM-modus.
2. Druk op de toets MENU om de menubediening te openen.
3. Druk op de knop **< TUNE-** of **> TUNE+** totdat "Language" (Taal) wordt weergegeven en druk vervolgens op de toets ENTER.
4. Druk op de knop **< TUNE-** of **> TUNE+** om te wisselen tussen de verschillende talen. Selecteer de gewenste taal en druk vervolgens ter bevestiging op de toets ENTER.
5. Druk op de toets MENU om de menubediening te verlaten.

HET HERSTELLEN VAN DE FABRIEKINSTELLINGEN

Deze functie stelt het apparaat opnieuw in op de originele fabrieksinstellingen.

1. Schakel het apparaat in op DAB- of FM-modus.
2. Druk op de toets MENU om de menubediening te openen.

3. Druk op de knop < TUNE- of > TUNE+ totdat "Factory Reset" (Fabrieksreset) wordt weergegeven en druk vervolgens op de toets ENTER.
4. Druk op de knop < TUNE- of > TUNE+ totdat "<Yes>" (<Ja>) wordt weergegeven en druk vervolgens op de toets ENTER om het apparaat te resetten.

ACCESSOIRES

- Voedingskabel x 1
- Afstandsbediening x 1
- Gebruikshandleiding x 1

TECHNISCHE SPECIFICATIES

Frequentiebereik DAB+ radio	174,928-239,2 MHz
Frequentiebereik FM-radio	87,5-108 MHz
AC-voedingsingang	230V~, 50Hz
Energieverbruik	22 W
Batterijvoeding	6 x UM2 (type C)
Uitgangsvermogen van luidspreker	2 x 5 W
Bluetooth	V2.1 + EDR
USB	USB 2.0 type A poort
SD	Volledige SD-kaartsleuf
Aux in	3,5 mm stereo aansluiting
Hoofdtelefoonuitgang	3,5 mm stereo aansluiting
Afstandsbedieningbatterij	CR2025 x 1 stuk
Afmetingen (L x D x H)	372 x 160 x 273 mm
Gewicht	2,4 kg

- De specificatie fungeert alleen als een referentie. Het gewicht en de afmetingen zijn gemiddelden.
- Ons product ondergaat onafgebroken verbeteringen en de specificaties en functies kunnen zonder voorafgaande kennisgeving worden veranderd.

GARANTIE

Lenco biedt service en garantie aan overeenkomstig met de Europese wetgeving. Dit houdt in dat u, in het geval van reparaties (zowel tijdens als na de garantieperiode), uw lokale handelaar moet contacteren.

Belangrijke opmerking: Het is **niet** mogelijk om producten die moeten worden gerepareerd rechtstreeks naar Lenco te sturen.

Belangrijke opmerking: De garantie verloopt als een onofficieel servicecenter het apparaat op wat voor manier dan ook heeft geopend, of er toegang toe heeft gekregen.

Het apparaat is niet geschikt voor professioneel gebruik. In het geval van professioneel gebruik worden alle garantieverplichtingen van de fabrikant nietig verklaard.

DISCLAIMER

Er worden regelmatig updates in de firmware en/of hardwarecomponenten gemaakt. Daardoor kunnen gedeelten van de instructie, de specificaties en afbeeldingen in deze documentatie enigszins verschillen van uw eigen situatie. Alle onderwerpen die staan beschreven in deze handleiding zijn bedoeld als illustratie en zijn niet van toepassing op specifieke situaties. Aan de beschrijving in dit document kunnen geen rechten worden ontleend.

VERWIJDEREN VAN HET OUDE APPARAAT



Dit symbool geeft aan dat het betreffende elektrische product of de accu/batterij niet mag worden verwijderd als algemeen huishoudelijk afval in Europa. Zorg voor een juiste afvalverwerking door het product en de accu/batterij in overeenstemming met alle van toepassing zijnde lokale wetten voor het verwijderen van elektrische apparatuur of accu's/batterijen te verwijderen. Als u dit doet, helpt u de natuurlijke hulpbronnen te behouden en de standaard van milieubescherming te verbeteren bij de behandeling en verwijdering van elektrisch afval (Afgedankte Elektrische en Elektronische Apparatuur).

SERVICE

Bezoek voor meer informatie en helpdeskondersteuning www.lenco.com
Lenco Benelux BV, Thermiekstraat 1a, 6361 HB, Nuth, Nederland.

ACHTUNG:

Die zweckentfremdete Bedienung, Benutzung oder Einstellung der Prozeduren kann zu gefährlichen Unfällen durch Strahlen führen.

Dieses Gerät darf außer von qualifizierten Fachleuten von niemand anderem repariert oder eingestellt werden.

VORSICHTSMASSNAHMEN VOR DER BENUTZUNG**BEFOLGEN SIE IMMER FOLGENDE ANWEISUNGEN:**

1. Benutzen Sie das Gerät nicht in der Nähe von Wasser.
2. Benutzen Sie zur Reinigung ein nur leicht befeuchtetes Tuch.
3. Blockieren Sie keine Lüftungsöffnungen. Wenn Sie das Gerät auf ein Regal stellen, lassen Sie um das gesamte Gerät 5 cm (2") freien Platz.
4. Stellen Sie das Gerät entsprechend den Anweisungen der mitgelieferten Bedienungsanleitung auf.
5. *Treten Sie nicht auf das Netzteil und klemmen Sie es auch nicht ein. Seien Sie im näheren Bereich des Steckers und der Herausführungen des Kabels besonders vorsichtig. Stellen Sie keine schweren Gegenstände auf das Netzteil, weil es dadurch beschädigt werden könnte. Halten Sie das gesamte Gerät außerhalb der Reichweite von Kindern! Durch Spielen mit dem Netzkabel können sie sich ernsthafte Verletzungen zuziehen.
6. *Trennen Sie das Gerät während eines Gewitters oder bei längerer Nichtbenutzung vom Netz.
7. Halten Sie das Gerät von Hitzequellen wie Radiatoren, Heizern, Öfen, Kerzen oder anderen hitzeerzeugenden Produkten oder offenen Flammen fern.
8. Meiden Sie bei der Nutzung des Produkts die Nähe starker Magnetfelder.
9. Elektrostatische Entladungen können die normale Verwendung von diesem Gerät stören. Sollte dies geschehen, führen Sie einfach einen Reset aus und starten Sie dann das Gerät entsprechend den Anweisungen dieser Bedienungsanleitung neu. Gehen Sie besonders bei Datenübertragungen mit dem Gerät vorsichtig um und führen Sie diese nur in einer antielekrostatischen Umgebung aus.
10. Warnung! Niemals Gegenstände durch die Lüftungsschlitze oder Öffnungen in das Gerät stecken. Im Gerät sind hohe Spannungen vorhanden und das Einführen von Gegenständen kann zu Stromschlag bzw. zu Kurzschlüssen der internen Teile führen. Aus dem gleichen Grund kein Wasser oder Flüssigkeiten in das Gerät geben.
11. Benutzen Sie das Gerät nicht in nasser oder feuchter Umgebung wie Bad, Dampfküche oder in der Nähe von Schwimmbecken.
12. Benutzen Sie das Gerät nicht bei Kondensationsgefahr.
13. Obwohl dieses Gerät unter größter Sorgfalt und vor Auslieferung mehrmals überprüft wurde, können trotzdem wie bei jedem anderen elektrischen Gerät auch Probleme auftauchen. Trennen Sie das Gerät im Falle einer Rauchentwicklung, starker Hitzeentwicklung oder jeden anderen unnatürlichen Erscheinung sofort vom Netz.
14. Dieses Gerät ist durch eine Stromquelle wie auf dem Typenschild angegeben zu betreiben. Halten Sie bei Unsicherheiten über die Art Ihrer Stromversorgung in Ihrer Wohnung Rücksprache mit Ihrem Händler oder Ihrer Stromzuliefererfirma.
15. *Die Wandsteckdose muss sich in der Nähe des Geräts befinden und einfach zu erreichen sein.
16. *Steckdosen und Verlängerungsleitungen nicht überlasten. Eine Überlastung kann zu Brandgefahr bzw. Stromschlägen führen.
17. *Geräte der Schutzklasse 1 sind an eine Netzsteckdose mit Schutzleiter anzuschließen.
18. *Geräte der Schutzklasse 2 benötigen keinen Schutzleiteranschluss.
19. Halten Sie Nagetiere vom Gerät fern. Nagetiere lieben es, am Netzkabel zu nagen.
20. *Halten Sie den Netzstecker in der Hand, wenn Sie ihn aus der Netzsteckdose ziehen. Ziehen Sie ihn nicht durch Zerren am Kabel heraus. Das kann zu einem Kurzschluss führen.
21. Vermeiden Sie es, das Gerät auf Oberflächen aufzustellen, die zu Schwingungen oder Stoß neigen.
22. Verwenden Sie einen trockenen, sauberen Lappen für die Reinigung. Benutzen Sie niemals Lösungsmittel oder Flüssigkeiten auf Ölbasis. Benutzen Sie zum Entfernen hartnäckiger Flecken ein feuchtes Tuch mit mildem Reinigungsmittel.
23. Der Hersteller haftet nicht für Schäden oder Verluste durch Fehlfunktion, Zweckentfremdung oder Modifikation des Geräts oder durch Wechseln der Batterien.
24. Unterbrechen Sie die Verbindung nicht während einer Formatierung oder einer Datenübertragung. Bei Unterbrechung drohen Datenverlust und Datenbeschädigung.
25. Wenn das Gerät eine USB-Wiedergabefunktion besitzt, dann stecken Sie den USB-Stick direkt in das Gerät. Verwenden Sie kein USB-Verlängerungskabel, weil die erhöhte Störanfälligkeit zu Datenverlust führen könnte.
26. Das Gerät darf weder Tropf- noch Spritzwasser ausgesetzt werden und es dürfen keine mit Flüssigkeit gefüllten Behälter wie z.B. Vasen auf das Gerät oder in der Nähe des Gerätes gestellt werden.
27. *Um das Gerät vollständig vom Netz zu trennen, muss der Netzstecker des Gerätes vom Stromnetz getrennt werden, wobei die zu trennende Einheit den Netzstecker des Gerätes bezeichnet.
28. Wenn das Gerät über Batterien betrieben wird, dann sind diese vor übermäßiger Wärme wie Sonneneinstrahlung, Feuer oder ähnlichem zu schützen.

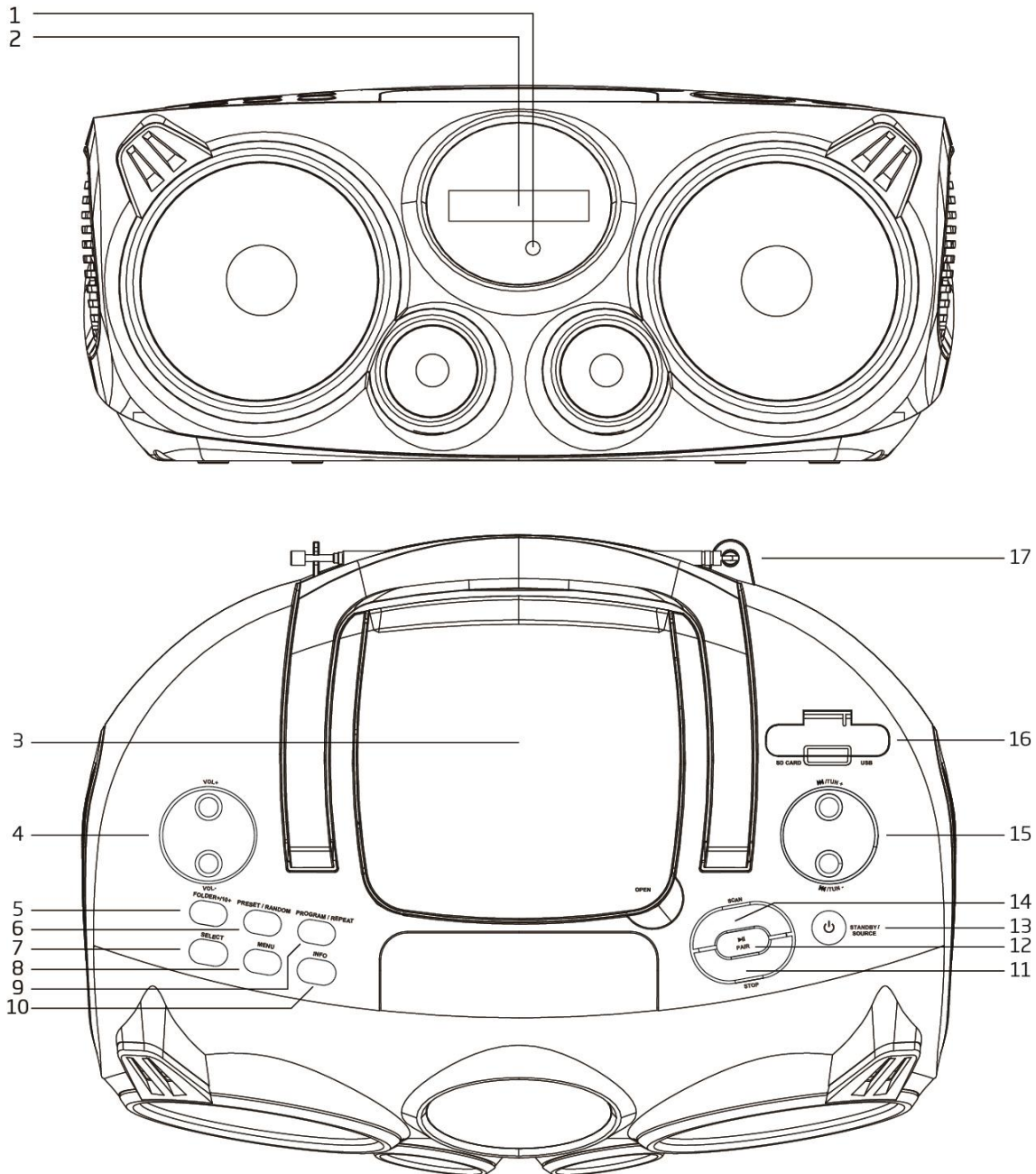
29. Bei der Batterieentsorgung sind die Entsorgungsvorschriften einzuhalten.
30. Das Gerät kann nur bei moderaten Temperaturen verwendet werden. Eine Nutzung in extrem kalten oder heißen Umgebungen sollte vermieden werden.
31. Das Typenschild befindet sich an der Unter- oder Rückseite des Gerätes.
32. Dieses Gerät ist nicht zur Benutzung durch Personen (auch Kinder) mit physischen, sensorischen oder mentalen Beeinträchtigungen oder ohne ausreichender Erfahrung vorgesehen, es sei denn, sie werden durch eine verantwortliche Person beaufsichtigt oder wurden in die ordnungsgemäße Bedienung des Gerätes durch eine für ihre Sicherheit verantwortlichen Person eingewiesen.
33. Dieses Produkt ist nur für den nicht-professionellen Gebrauch und nicht für gewerbliche oder industrielle Zwecke bestimmt.
34. Stellen Sie sicher, dass das Gerät in einer stabilen Position aufgestellt ist. Schäden, die durch Verwendung dieses Produkts in einer instabilen Position oder durch Nichtbeachtung der anderen in diesem Handbuch enthaltener Warnungen und Vorwarnung entstehen, werden nicht durch die Garantie abgedeckt.
35. Entfernen Sie niemals das Gehäuse dieses Geräts.
36. Stellen Sie dieses Gerät niemals auf andere elektrische Geräte.
37. Verwenden oder bewahren Sie dieses Produkt nicht an Orten auf, in denen es direkter Sonneneinstrahlung, Hitze, übermäßigem Staub oder Vibration ausgesetzt ist.
38. Ermöglichen Sie Kindern nicht den Zugriff auf Plastiktüten.
39. Benutzen Sie nur vom Hersteller empfohlene Erweiterungen/Zubehörteile.
40. Sprechen Sie alle Eingriffe mit qualifiziertem Fachpersonal ab. Eingriffe werden notwendig, wenn das Gerät in irgendeiner Weise beschädigt wurde, beispielsweise am Netzkabel oder am Netzstecker oder wenn Flüssigkeit in das Gerät gelangt ist bzw. Gegenstände in das Gerät gefallen sind, das Gerät Regen oder Feuchtigkeit ausgesetzt war, es heruntergefallen ist oder nicht ordnungsgemäß funktioniert.
41. *Verwenden Sie weder ein beschädigtes Netzkabel noch einen beschädigten Stecker oder eine lockere Steckdose. Es besteht Brand- und Stromschlaggefahr.
42. Längeres Hören lauter Töne aus einem Musikgerät kann zum zeitweiligen oder permanenten Hörverlust führen.

AUFBAU




- Packen Sie alle Teile aus und entfernen Sie danach die Schutzmaterialien.
- *Schließen Sie das Gerät nicht eher an das Netz an, bevor Sie die Netzspannung überprüft haben und alle anderen notwendigen Verbindungen hergestellt sind.

*** Diese Anleitung gilt nur für Produkte, die über ein Netzkabel oder einen Netzadapter verfügen.**

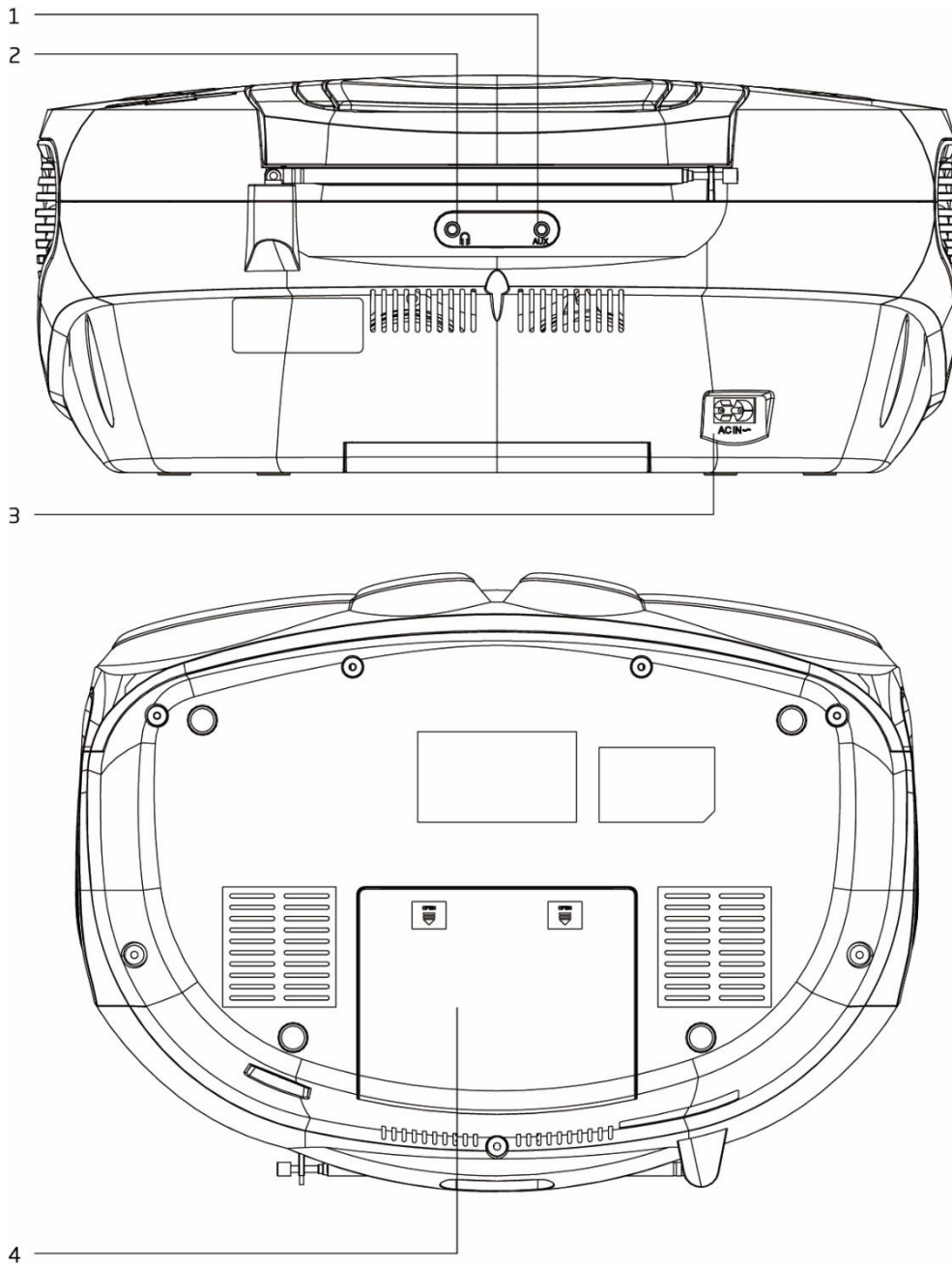
OBER- UND FRONTSEITE



1. IR-EMPFANGSFELD
2. ANZEIGE
Anzeige des Betriebsmodus und von Informationen
3. CD-Fach-Tür
4. VOL +/VOL -
Einstellung der Gesamtlautstärke
5. VERZEICHNIS+/10+
CD/USB/SD: Während der Wiedergabe drücken, um einen Titel mit der aktuellen Titelnummer + 10 zu suchen.
Gedrückt halten, um zum nächsten Verzeichnis zu wechseln (eine Verzeichnisebene hoch)
6. VORBELEGUNG/ZUFÄLLIG
DAB/FM: Drücken Sie die Taste, um den vorbelegten Sender aufzurufen
Gedrückt halten, um den vorbelegten Sender zu speichern
CD/USB/SD: Während der Wiedergabe drücken, um die Zufallswiedergabe zu starten. Durch erneutes Drücken wird zur normalen Wiedergabe zurückgekehrt
7. AUSWÄHLEN
Drücken Sie diese Taste, um die zu ändernde Einstellung im Menü aufzurufen.
8. MENÜ
Drücken Sie die Taste, um das Menü zum Ändern der Einstellungen aufzurufen

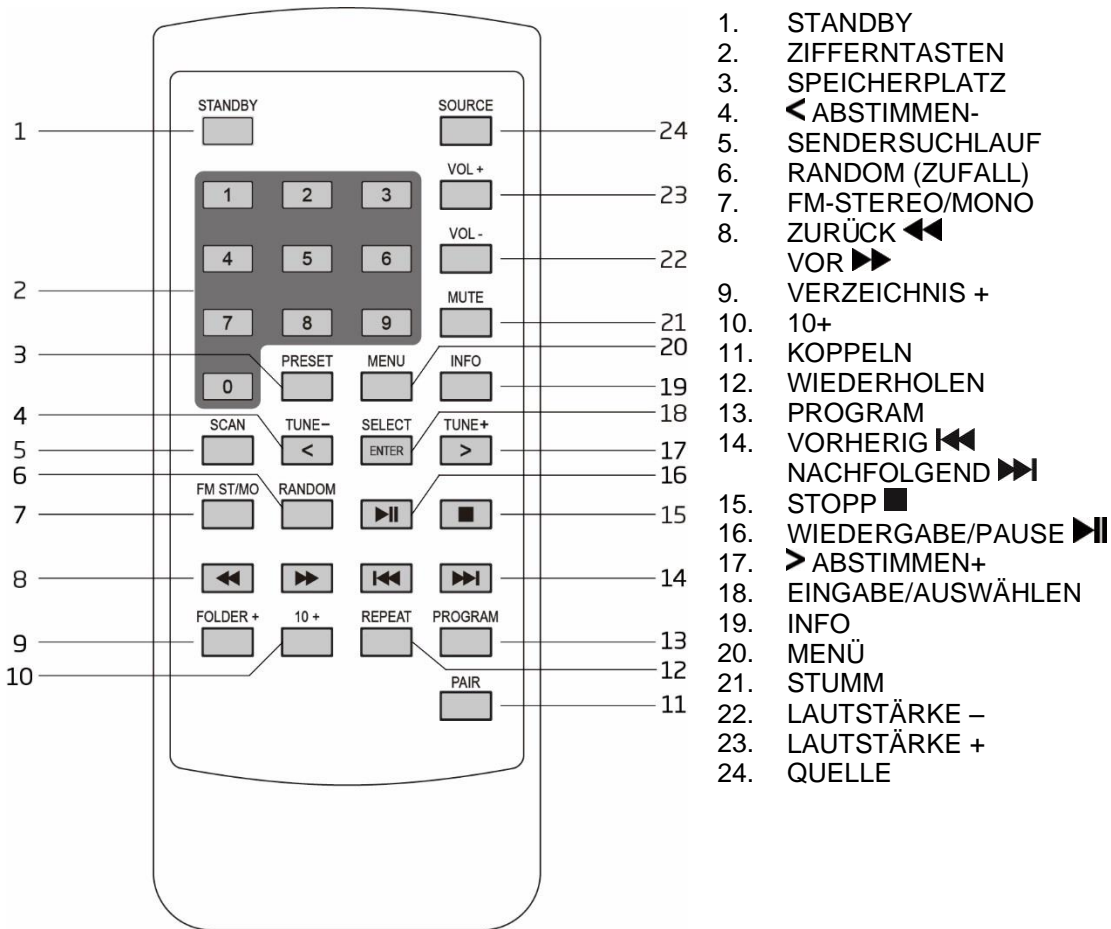
9. PROGRAMMIEREN/WIEDERHOLEN
 CD/USB/SD: Während der Wiedergabe drücken, um die wiederholte Wiedergabe zu starten
 Bei beendeter Wiedergabe drücken, um zur Einstellung für die programmierte Wiedergabe zu gelangen
10. INFO
 DAB/FM: Drücken Sie diese Taste zur Anzeige von Radiosenderinformationen.
 CD/USB/SD: Drücken Sie die Taste während der MP3-Wiedergabe, um Ordner-/Titelnummer oder Titel-/Wiedergabezeit anzuzeigen
11. STOPP
 Drücken, um die CD/USB/SD-Wiedergabe zu beenden
12. /KOPPELN
 CD/USB/SD/BLUETOOTH: Drücken, um zwischen Pause und Wiedergabe hin und her zu schalten.
 BLUETOOTH: Gedrückt halten trennt die aktuelle Verbindung und startet die Suche nach anderen Bluetooth-Geräten
13. STANDBY/QUELLE
 Drücken Sie die Taste, um das Gerät einzuschalten. Halten Sie die Taste gedrückt, um das Gerät auszuschalten und den Standby-Modus aufzurufen
 Wählen Sie nach dem Einschalten des Geräts mit dieser Taste verschiedene Betriebsmodi aus:
 DAB/FM/CD/USB/SD/BT/AUX
14. SENDERSUCHLAUF
 DAB: Drücken und halten Sie diese Taste, um den automatischen Sendersuchlauf zu starten und alle verfügbaren DAB-Radiosender zu speichern.
 FM: Drücken Sie die Taste, um nach dem nächsten FM-Sender zu suchen
15. /ABSTIMMEN - und /ABSTIMMEN+
 DAB: Drücken Sie diese Taste zur Anzeige von Radiosenderinformationen.
 FM: Drücken Sie kurz diese Taste, um eine andere Frequenz einzustellen.
 Halten Sie die Taste gedrückt, um nach dem nächsten Sender zu suchen
 CD/USB/SD/BLUETOOTH: Während der Wiedergabe drücken, um zum vorherigen, nächsten Titel zu springen
16. USB- und SD-KARTENEINGANG
17. TELESKOPANTENNE
 Sie muss ausgezogen werden, um einen guten DAB/FM-Empfang zu gewährleisten

RÜCKTEIL UND UNTERSEITE



1. AUX
Anschluss eines externen Audio-Players
2. KOPFHÖRERAUSGANGSBUCHSE
Anschluss eines externen Kopfhörers
3. AC-NETZANSCHLUSSBUCHSE
An diese Buchse das Netzkabel anschließen
4. BATTERIEFACHDECKEL

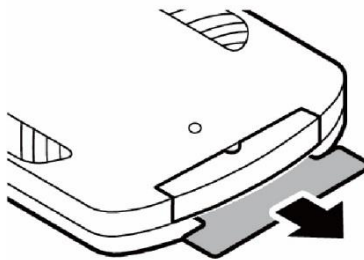
FERNBEDIENUNG



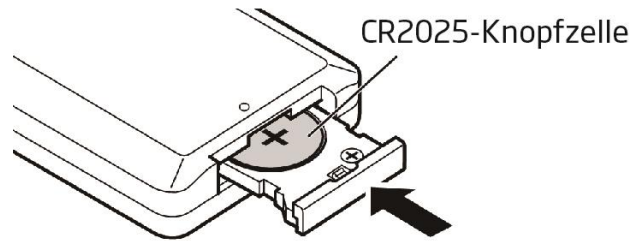
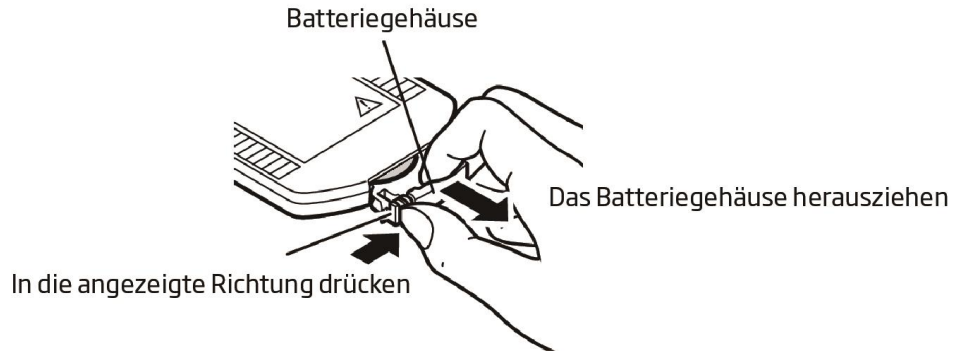
1. STANDBY
2. ZIFFERTASTEN
3. SPEICHERPLATZ
4. < ABSTIMMEN-
5. SENDERSUCHLAUF
6. RANDOM (ZUFALL)
7. FM-STEREO/MONO
8. ZURÜCK <<
9. VERZEICHNIS +
10. 10+
11. KOPPELN
12. WIEDERHOLEN
13. PROGRAM
14. VORHERIG <<<
15. STOPP ■
16. WIEDERGABE/PAUSE >>>
17. > ABSTIMMEN+
18. EINGABE/AUSWÄHLEN
19. INFO
20. MENÜ
21. STUMM
22. LAUTSTÄRKE -
23. LAUTSTÄRKE +
24. QUELLE

Bedienung der Fernbedienung

In der Fernbedienung befindet sich bereits eine CR2025-Knopfzelle. Entfernen Sie wie nachstehend gezeigt vor der Inbetriebnahme die Isolationsfolie von der Batterie.



Folgen Sie bitte für das Ersetzen der Batterie nachfolgender Abbildung. Achten Sie beim Einlegen der Batterie auf die richtige Ausrichtung der Batterie.



- Wenn die Fernbedienung und andere Geräte sich gegenseitig stören, kann dies ihren Betrieb beeinflussen.
- Drücken Sie nicht gleichzeitig Tasten am Gerät und auf der Fernbedienung.
- Vermeiden Sie die Verwendung von zwei Fernbedienungen zur selben Zeit, weil dies zu Fehlfunktionen führt.
- Verwenden Sie nur CR2025-Knopfzellen.
- Wenn die Batterie ausgelaufen ist, dann reinigen Sie die Fernbedienung gründlich, bevor Sie die neue Batterie einsetzen.
- Schalten Sie die beiden Batteriepole nicht kurz. Entsorgen Sie verbrauchte Batterien vorschriftsmäßig.

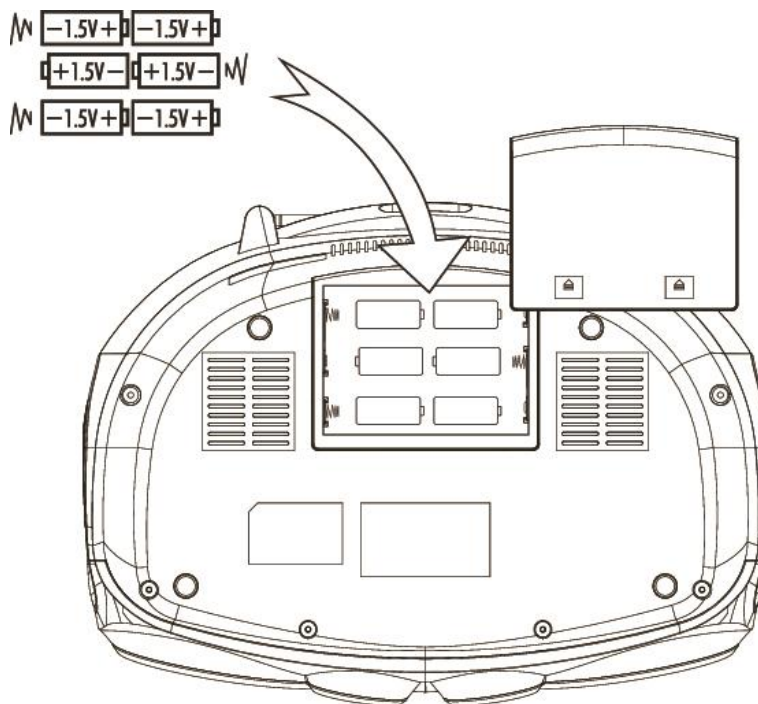
ANSCHLUSS AN DAS STROMNETZ

1. Verbinden Sie das eine Ende des abziehbaren Netzkabels mit der AC-Netzanschlussbuchse AC IN ~ und das andere mit einer Netzsteckdose.
2. Drücken Sie die Taste STANDBY, um das Gerät einzuschalten.

BATTERIEBETRIEB

Ziehen Sie für den Batteriebetrieb zuerst den Netzstecker aus der Netzsteckdose und danach das Netzkabel aus der Netzanschlussbuchse AC IN ~. Legen Sie anschließend 6 Babyzellen (LR14) in das Batteriefach ein.

Da das Gerät auch im Standby-Modus ein wenig Strom benötigt, ist es ratsam, die Batterien zu entfernen, wenn es längere Zeit nicht verwendet wird.



GRUNDLEGENDE BEDIENUNG

Drücken Sie die Taste STANDBY, um das Gerät einzuschalten. Halten Sie zum Ausschalten die Taste STANDBY erneut gedrückt.

DAB/FM/CD/USB/SD/BT/AUX

Drücken Sie die Taste SOURCE, um eine der verschiedenen Betriebsarten zu wählen.

Lautstärkeregler

Drücken Sie die Tasten VOL-/VOL+, um die Lautstärke zu ändern.

Ausrichten der Antenne

Die Teleskopantenne muss ausgezogen werden, um einen guten FM-Empfang zu gewährleisten. Ändern Sie die Ausrichtung der Antenne, um den besten Empfang zu erhalten.

DAB-Bedienung

Wenn der DAB-Modus das erste Mal aufgerufen wird, führt das Gerät automatisch einen Suchlauf nach DAB-Sendern durch. Warten Sie in diesem Fall bitte, bis der Scan beendet wurde. Das Display zeigt den Verlauf der Suche an. Nach dem Scannen wird automatisch der erste Radiosender ausgewählt. Die DAB-Radiosender werden in numerischer und dann alphabetischer Reihenfolge angezeigt. Alle beim Suchlauf gefundenen Radiosender werden gespeichert. Wenn Sie das Gerät das nächste Mal einschalten, wird kein erneuter Scan ausgeführt.

Automatischer Suchlauf

1. Wechseln Sie in den DAB-Modus.
2. Starten Sie mit der Taste SCAN die automatische Suche nach verfügbaren DAB-Sendern.

Manueller Suchlauf

1. Wechseln Sie in den DAB-Modus.
2. Rufen Sie mit der Taste MENU die Menüsteuerung auf.

3. Drücken Sie die Taste < TUNE- oder > TUNE+, bis „Manual tune“ (Manuelle Abstimmung) angezeigt wird und drücken Sie anschließend die Taste ENTER.
4. Wählen Sie mit der Taste < TUNE- oder > TUNE+ den gewünschten Kanal (5A-13F) aus.
5. Drücken Sie die Taste < TUNE- oder > TUNE+ zum Auswählen eines anderen Kanals (5A-13F).
6. Bestätigen Sie mit der Taste ENTER.

Abstimmen

Zeigen Sie mit der Taste < TUNE - oder > TUNE+ die Daten des nächsten Senders an. Drücken Sie danach die Taste ENTER, um diesen Sender innerhalb weniger Sekunden einzustellen.

DAB-Radiosender speichern

Sie können bis zu 20 DAB-Radiosender speichern.

1. Stellen Sie den Radiosender ein, den Sie speichern möchten.
2. Die Taste PRESET gedrückt halten. Die vorbelegte Kanalnummer blinkt.
3. Drücken Sie die Taste < TUNE- oder > TUNE+, um den Speicherplatz auszuwählen, auf dem der Sender gespeichert werden soll. Drücken Sie danach die Taste ENTER zum Speichern.

Gespeicherten DAB-Radiosender aufrufen

1. Drücken Sie die Taste PRESET. Die vorbelegte Kanalnummer wird angezeigt.
2. Wählen Sie mit der Taste < TUNE- oder > TUNE+ den Speicherplatz aus, den Sie aufrufen möchten. Drücken Sie anschließend die Taste ENTER, um den vorbelegten Sender einzustellen.

Anzeige von DAB-Radiosenderinformationen

Unten sind die verschiedenen Arten von Informationen aufgeführt. Drücken Sie zum Ändern der angezeigten Radiosenderinformationen mehrfach die Taste INFO.

1. Radio-Lauftext
Beinhaltet Musiktitel oder Programmdetails, die vom Sendestudio bereitgestellt werden.
2. Programmart (PTY):
Die Art des Programms, das vom Sendestudio bereitgestellt wird.
3. Multiplexname
Zeigt den Namen des Multiplex an, in welchem sich der gegenwärtige Radiosender befindet.
4. Kanal und Frequenz
Kanalnummer und Frequenz.
5. Audiobitrate
Dies ist die Audiobitrate des aktuellen Kanals.
6. Signalfehlerrate
Sie zeigt die empfangenen Fehler an. Je größer dieser Wert ist, umso mehr Fehler wurden empfangen. Richten Sie die Antenne aus, um den Empfang zu verbessern.
7. Uhrzeit und Datum
Die aktuelle Uhrzeit und das Datum werden vom Rundfunkanbieter übertragen.

ANDERE DAB-MENÜOPERATIONEN

Rufen Sie mit der Taste MENU die Menüsteuerung auf. Rufen Sie anschließend mit der Taste < TUNE- oder > TUNE + weitere Optionen auf, die unten beschrieben sind.

Kompressor

Durch den Kompressor werden leisere Klänge besser hörbar, wenn das Gerät in einer lauten Umgebung verwendet wird. Die Kompressionsstufe einer Sendung wird durch das Sendestudio festgelegt und zusammen mit dem Service übertragen. Durch Ändern des Werts des Kompressors Ihres Geräts sind Sie in der Lage, den Kompressionsfaktor bezüglich dieser Stufe anzupassen.

Es gibt drei Kompressionsstufen:

DRC High (hohe Kompression):	Maximalkompression, wie sie mit dem Service übertragen wird
DRC Low (niedrige Kompression):	Halbe Signalkompression des übertragenen Services
DRC Off (keine Kompression):	Keine Kompression

1. Rufen Sie mit der Taste MENU die Menüsteuerung auf.
2. Drücken Sie die Taste < TUNE- oder > TUNE+, bis „DRC“ (Dynamik-Komprimierung) angezeigt wird und drücken Sie anschließend die Taste ENTER.
3. Wählen Sie mit der Taste < TUNE- oder > TUNE+ den DRC-Wert aus und bestätigen Sie anschließend mit der Taste ENTER.
4. Rufen Sie mit der Taste MENU die Menüsteuerung auf.

Hinweis:

- Nicht bei allen DAB-Sendungen kann die Funktion Kompressor verwendet werden. Wenn der Rundfunkanbieter kein DRC unterstützt, hat die DRC-Einstellung am Gerät keine Auswirkung.
- Nachdem Sie eine Kompressionsstufe eingestellt haben, kann es sein, dass die Wiedergabe lauter wird.

Bereinigen

Diese Funktion entfernt inaktive Sender.

1. Rufen Sie mit der Taste MENU die Menüsteuerung auf.
2. Drücken Sie die Taste < TUNE- oder > TUNE+, bis „Prune“ (Bereinigen) angezeigt wird und drücken Sie anschließend die Taste ENTER, um das Gerät zu bereinigen.
3. Rufen Sie mit der Taste MENU die Menüsteuerung auf.

FM-RADIOBEDIENUNG

Automatischer Suchlauf

1. Wechseln Sie in den FM-Modus.
2. Drücken Sie die Taste SCAN, um nach dem nächsten FM-Sender zu suchen.

Manueller Suchlauf

1. Drücken Sie wiederholt die Taste < TUNE- oder > TUNE+, um eine andere Frequenz einzustellen.
2. Halten Sie alternativ die Taste < TUNE- oder > TUNE+ gedrückt, um den nächsten FM-Sender automatisch zu suchen.

FM-Radiosender speichern

Sie können bis zu 20 FM-Radiosender speichern.

1. Stellen Sie den Radiosender ein, den Sie speichern möchten.
2. Die Taste PRESET gedrückt halten. Die vorbelegte Kanalnummer blinkt.
3. Drücken Sie die Taste < TUNE- oder > TUNE+, um den Speicherplatz auszuwählen, auf dem der Sender gespeichert werden soll. Drücken Sie danach die Taste ENTER zum Speichern.

Gespeicherten FM-Radiosender aufrufen

1. Drücken Sie die Taste PRESET. Die vorbelegte Kanalnummer wird angezeigt.
2. Wählen Sie mit der Taste < TUNE- oder > TUNE+ den Speicherplatz aus, den Sie aufrufen möchten. Drücken Sie anschließend die Taste ENTER, um den vorbelegten Sender einzustellen.

Auswahl Stereo / Mono erzwingen

Wenn Sie einen FM-Sender mit Stereoübertragung empfangen, schalten Sie mit der Taste FM ST/MO zwischen Stereoton oder erzwungenem Monoton um.

Anzeige von FM-Radiosenderinformationen

Unten sind die verschiedenen Arten von Informationen aufgeführt. Drücken Sie zum Ändern der angezeigten Radiosenderinformationen mehrfach die Taste INFO.

1. Radiotext:
Laufschrift mit Informationen über Musiktitel oder Programmdetails, die vom Rundfunkanbieter zur Verfügung gestellt werden.
2. Programmart (PTY):
Die Art des Programms, das vom Sendestudio bereitgestellt wird.
3. Signalstärke
Der Signalstärkebalken zeigt die aktuelle Signalstärke beim Empfang an. Je mehr Rechtecke ausgefüllt sind, umso stärker ist das empfangene Signal. Das unausgefüllte Rechteck linkerhand stellt einen Schwellwert für die Signalstärke dar, der vom empfangenen Sender überschritten werden sollte. Richten Sie die Antenne aus, um den Empfang zu verbessern.
4. Uhrzeit und Datum
Die aktuelle Uhrzeit und das Datum werden vom Rundfunkanbieter übertragen.
5. Frequenz
Aktuelle Frequenz des Kanals.

ANDERE FM-MENÜOPTIONEN

Rufen Sie mit der Taste MENU die Menüsteuerung auf. Rufen Sie anschließend mit der Taste < TUNE- oder > TUNE+ weitere Optionen auf, die unten beschrieben sind.

Sendersuchlaufeinstellung

1. Rufen Sie mit der Taste MENU die Menüsteuerung auf.
2. Drücken Sie die Taste < TUNE- oder > TUNE+, bis „Scan setting“ (Suchlaufeinstellung) angezeigt wird und drücken Sie anschließend die Taste ENTER.
3. Wechseln Sie mit der Taste < TUNE- oder > TUNE+ zwischen der Auswahl „All stations“ (Alle Sender) oder „Strong only“ (Nur starke) und bestätigen Sie anschließend mit der Taste ENTER. Wenn Sie „All stations“ (Alle Sender) ausgewählt haben, dann werden alle Radiosender während des Sendersuchlaufes gesucht, auch wenn der Radiosender ein starkes Rauschen besitzt. Wenn Sie „Strong only“ (Nur starke) ausgewählt haben, werden nur starke Sender erkannt. Der Sendersuchlauf übergeht Sender, die ein Rauschen besitzen.
4. Wenn Sie das nächste Mal einen Sendersuchlauf durchführen, dann werden diese bestätigten Einstellungen verwendet.
5. Rufen Sie mit der Taste MENU die Menüsteuerung auf.

Audioeinstellung

1. Rufen Sie mit der Taste MENU die Menüsteuerung auf.
2. Drücken Sie die Taste < TUNE- oder > TUNE+, bis „Audio Mode“ (Audiomodus) angezeigt wird und drücken Sie anschließend die Taste ENTER.
3. Wechseln Sie mit der Taste < TUNE- oder > TUNE+ zwischen der Auswahl „Stereo“ oder „Mono“ und bestätigen Sie anschließend mit der Taste ENTER.
4. Rufen Sie mit der Taste MENU die Menüsteuerung auf.

CD/USB/SD-BEDIENUNG

CD einlegen und abspielen

Öffnen Sie das CD-Fach. Legen Sie die CD so ein, dass die bedruckte Seite nach oben zeigt. Schließen Sie das CD-Fach wieder. Drücken Sie die Taste SOURCE, um den CD-Modus auszuwählen. Nach dem Einlesen wird auf der Anzeige die Gesamttitelzahl angezeigt. Drücken Sie für die Wiedergabe die Taste WIEDERGABE/PAUSE ►||.

USB-Gerät einlesen und wiedergeben

Stecken Sie ein USB-Gerät in den USB-Port. Drücken Sie die Taste SOURCE, um den USB-Modus auszuwählen. Nach dem Einlesen wird auf der Anzeige die Gesamttitelzahl angezeigt. Drücken Sie für die Wiedergabe die Taste WIEDERGABE/PAUSE ►||.

SD-Karte einlesen und wiedergeben

Stecken Sie eine SD-Karte in den SD-Kartenschlitz. Drücken Sie die Taste SOURCE, um den SD-Karten-Modus auszuwählen. Nach dem Einlesen wird auf der Anzeige die Gesamttitelzahl angezeigt. Drücken Sie für die Wiedergabe die Taste WIEDERGABE/PAUSE ►||.

Steuerung von Wiedergabe/Pause

Drücken Sie die Taste WIEDERGABE/PAUSE ►||, um die Wiedergabe zu pausieren. Drücken Sie diese Taste erneut, um die Wiedergabe fortzusetzen.

Wiedergabe beenden

Drücken Sie die Taste STOPP ■, um die Wiedergabe zu beenden.

Titel überspringen

Drücken Sie während der Wiedergabe die Taste VORHERIGER ◀◀ oder NÄCHSTER ▶▶, um zum nächsten oder vorherigen Titel zu springen.

Zufallswiedergabe

Drücken Sie während der Wiedergabe für eine Musikwiedergabe in zufälliger Reihenfolge die Taste RANDOM. Das Display zeigt „Random“ (Zufällig) an. Drücken Sie die Taste RANDOM erneut, um die normale Wiedergabe fortzusetzen.

Schnellsuche vor-/rückwärts

Halten Sie während der Wiedergabe die Taste ZURÜCK ◀◀ oder VORWÄRTS ▶▶ gedrückt, um die Schnellsuche zu starten. Wenn Sie die Taste ZURÜCK ◀◀ oder VORWÄRTS ▶▶ loslassen, wird die Wiedergabe an dieser Stelle mit normaler Geschwindigkeit fortgesetzt.

Wiederholte Wiedergabe

Drücken Sie während der Wiedergabe einmal die Taste REPEAT. Das Display zeigt „Rpt.1“ (Einmal wiederholen) an. Der aktuelle Titel wird wiederholt wiedergegeben. Drücken Sie die Taste REPEAT, bis auf dem Display „Rpt all“ (Alle wiederholen) angezeigt wird. Alle Titel werden wiederholt wiedergegeben. Drücken Sie die Taste REPEAT erneut, um die normale Wiedergabe fortzusetzen.

Bei der Wiedergabe von MP3-Dateiordnern ist auch die Option „Repeat Folder“ (Ordner wiederholen) verfügbar. Auf dem Display wird „Rpt.folder“ (Ordner wiederholen) angezeigt.

Verzeichnis aufwärts (nur MP3-Dateien)

Drücken Sie auf der Fernbedienung während der MP3-Wiedergabe die Taste FOLDER + (oder halten Sie am Gerät die Taste FOLDER+ gedrückt), um zum nächsten Verzeichnis zu wechseln (Verzeichnis hoch).

Drücken Sie auf der Fernbedienung bei beendeter Wiedergabe die Taste FOLDER + (oder halten Sie am Gerät die Taste FOLDER+ gedrückt), um das Verzeichnis zu wechseln. Drücken Sie danach die Taste VORHERIGER ◀◀ oder NÄCHSTER ▶▶, um den Titel auszuwählen, den Sie wiedergeben lassen möchten. Drücken Sie die Taste WIEDERGABE/PAUSE ►||, um die Wiedergabe des Titels zu beginnen.

Programmierte Wiedergabe

Dieses Gerät kann für die Wiedergabe einer beliebigen Reihenfolge von 20 Titeln programmiert werden.

1. Drücken Sie auf der Fernbedienung bei beendeter Wiedergabe die Taste PROGRAM. Auf der Anzeige erscheint „P01“ (Programm 1).
2. Drücken Sie die Taste VORHERIGER ◀◀ oder NÄCHSTER ▶▶, um den gewünschten Titel auszuwählen.
3. Drücken Sie die Taste PROGRAM, um den gewünschten Titel zu speichern.
4. Wiederholen Sie die Schritte 2 – 4, um bis zu 20 Titel zu programmieren.
5. Drücken Sie die Taste WIEDERGABE/PAUSE ▶▶, um mit der Wiedergabe der programmierten Titel zu beginnen.
6. Drücken Sie zweimal die Taste STOPP ■ oder wechseln Sie in einen anderen Modus, um die Programmierung aufzuheben.
7. Während der programmierten Wiedergabe können Sie ebenfalls einen oder alle Titel wiederholt wiedergeben lassen. Allerdings ist bei der programmierten Wiedergabe keine Zufallswiedergabe möglich.

BLUETOOTH-AUDIO

Bitte befolgen Sie die unten angegebenen Anweisungen zum Koppeln, um die Anlage mit Ihrem Bluetooth-Gerät zu verbinden.

1. Drücken Sie zum Aufrufen des Bluetooth-Modus mehrfach die Taste SOURCE. Das Display zeigt nun „BT“ („BLUETOOTH“). Die Suche wird gestartet und die Anzeige blinkt.
 2. Wenn das Gerät noch nie mit einem Bluetooth-Gerät verbunden war oder das zuletzt verbundene Gerät nicht finden kann, dann blinken sowohl Anzeige als auch Bluetooth-Statusanzeige weiter. Schalten Sie in diesem Fall die Bluetooth-Funktion Ihres Geräts ein und aktivieren Sie die Suche bis „Lenco SCD-685“ gefunden wurde. Wählen Sie auf dem Bluetooth-Gerät „Lenco SCD-685“ aus, um eine Verbindung herzustellen. Geben Sie, falls erforderlich, den Zugangscode „0000“ ein.
 3. Nach erfolgreicher Kopplung wird auf der Anzeige des Gerätes „BT“ (Bluetooth) angezeigt, ohne zu blinken.
 4. Sie können die kabellose Wiedergabe der Musik von Ihrem Smartphone über die Lautsprecher starten.
 5. Sie können die Taste ▶▶ drücken, um die Wiedergabe zu pausieren oder fortzusetzen.
 6. Sie können die Taste VORHERIGER ◀◀ oder NÄCHSTER ▶▶ drücken, um zum nächsten oder vorhergehenden Titel zu wechseln.
- Drücken Sie auf der Fernbedienung die Taste PAIR (oder halten Sie die Taste PAIR am Gerät gedrückt), um die gegenwärtige Verbindung zu trennen und die Suche nach einem anderen neuen Bluetooth-Gerät zu starten.

AUX-IN

Dieser Eingang ermöglicht Ihnen, den Klang externer Player über Ihr Gerät wiederzugeben.

1. Stecken Sie ein Ende eines 3,5-mm-Audiokabels (nicht im Lieferumfang enthalten) in den Line-Out-Ausgang Ihres externen Players und das andere Ende in die AUX-Buchse.
2. Drücken Sie die Taste SOURCE, um den AUX-Modus auszuwählen. Das Display zeigt „AUX“ an.
3. Starten Sie die Wiedergabe Ihres externen Players.
4. Das Gerät wird die Wiedergabe ausgeben.

ENERGIESPAREN

Aufgrund der Richtlinie ErP Stage 2 und zum Schutz der Umwelt geht die Anlage automatisch in den Standby-Modus, wenn 15 Minuten lang keine Musik wiedergegeben wurde.

Drücken Sie zur Reaktivierung die Taste STANDBY zum Einschalten der Anlage.

EINSTELLEN DER UHRZEIT

Sie können die Uhrzeit einstellen.

1. Schalten Sie das Gerät aus, um in den Standby-Modus zu wechseln.
 2. Halten Sie die Taste MENU gedrückt. Das Display zeigt das Uhrzeitanzeigeformat an.
 3. Wechseln Sie mit der Taste ◀ TUNE- oder ▶ TUNE+ zwischen dem 12- oder 24-Stundenanzeigeformat. Drücken Sie zum Fortfahren die Taste MENU.
 4. Die Stundenziffern beginnen zu blinken. Ändern Sie mit der Taste ◀ TUNE- oder ▶ TUNE+ den Stundenwert. Drücken Sie zum Fortfahren die Taste MENU.
 5. Die Minutenstelle blinkt. Ändern Sie mit der Taste ◀ TUNE- oder ▶ TUNE+ den Minutenwert. Schließen Sie die Einrichtung mit der Taste MENU, ab.
- Die Einstellung der Uhrzeit kann durch die Echtzeitdaten von einem DAB- oder FM-Sender automatisch überschrieben werden.

SOFTWARE-VERSIONSÜBERPRÜFUNG

Sie können die Version der Software des Geräts überprüfen.

1. Wechseln Sie hierfür in den DAB- oder FM-Modus.
2. Rufen Sie mit der Taste MENU die Menüsteuerung auf.
3. Drücken Sie die Taste ◀ TUNE- oder ▶ TUNE+, bis „SW Version“ (Softwareversion) angezeigt wird und zeigen Sie anschließend mit der Taste ENTER die Software-Versionsnummer an.
4. Rufen Sie mit der Taste MENU die Menüsteuerung auf.

SPRACHEINSTELLUNG

Sie können die Anzeigesprache des Geräts festlegen.

1. Wechseln Sie hierfür in den DAB- oder FM-Modus.
2. Rufen Sie mit der Taste MENU die Menüsteuerung auf.
3. Drücken Sie die Taste < TUNE- oder > TUNE+, bis „Language“ (Sprache) angezeigt wird und drücken Sie anschließend die Taste ENTER.
4. Wechseln Sie mit der Taste < TUNE- oder > TUNE+ zwischen den unterschiedlichen Sprachen. Wählen Sie die gewünschte Sprache aus und drücken Sie anschließend zur Bestätigung die Taste ENTER.
5. Rufen Sie mit der Taste MENU die Menüsteuerung auf.

ZURÜCKSETZEN AUF WERKSEINSTELLUNG

Diese Funktion setzt das Gerät auf die ursprünglichen Werkseinstellungen zurück.

1. Wechseln Sie hierfür in den DAB- oder FM-Modus.
2. Rufen Sie mit der Taste MENU die Menüsteuerung auf.
3. Drücken Sie die Taste < TUNE- oder > TUNE+, bis „Factory Reset“ (Werkseinstellungen) angezeigt wird und drücken Sie anschließend die Taste ENTER.
4. Drücken Sie die Taste < TUNE- oder > TUNE+, bis „<Yes> (<Ja>)“ angezeigt wird und drücken Sie anschließend ENTER, um das Gerät zurückzusetzen.

ZUBEHÖR

- 1 x Netzkabel
- 1 x Fernbedienung
- 1 x Bedienungsanleitung

TECHNISCHE SPEZIFIKATIONEN

DAB+ Radiofrequenzbereich	174,928-239,2 MHz
FM-Radiofrequenzbereich	87,5-108 MHz
AC-Stromaufnahme	230 V~, 50 Hz
Leistungsaufnahme	22 W
Batteriebetrieb	6 x LR14 (Babyzelle)
Lautsprecherleistungsleistung	2 x 5 W
Bluetooth	V2.1 + EDR
USB	Buchse USB 2.0 Typ A
SD	SD-Kartenslot voller Größe
Aux-In	3,5 mm Stereo-Klinkenbuchse
Kopfhörerausgang	3,5 mm Stereo-Klinkenbuchse
Batterie Fernsteuerung	1 x CR2025
Abmessung (L x T x H)	372 x 160 x 273 mm
Gewicht	2,4 kg

- Diese Angaben dienen lediglich als Richtwerte. Die Gewichts- und Größenangaben sind Näherungswerte.
- Unser Produkt wird ständig verbessert und an den technischen Daten sowie den Funktionen können jederzeit Änderungen ohne vorherige Ankündigung vorgenommen werden.

GARANTIE

Lenco bietet Leistungen und Garantien im Einklang mit Europäischem Recht. Im Falle von Reparaturen (sowohl während als auch nach Ablauf der Garantiezeit) sollten Sie deshalb Ihren Einzelhändler kontaktieren.

Wichtiger Hinweis: Es ist **nicht** möglich, Geräte für Reparaturen direkt an Lenco zu schicken.

Wichtiger Hinweis: Falls dieses Gerät von einem nicht autorisierten Kundendienst geöffnet oder darauf zugegriffen wird, erlischt die Garantie.

Dieses Gerät ist nicht für professionelle Zwecke geeignet. Falls das Gerät für professionelle Zwecke eingesetzt wird, erlöschen alle Garantieverpflichtungen seitens des Herstellers.

HAFTUNGSAUSSCHLUSS

Aktualisierungen der Firmware und/oder Hardware-Komponenten werden regelmäßig durchgeführt. Daher können einige der Anweisungen, Spezifikationen und Abbildungen in dieser Dokumentation von Ihrer individuellen Situation abweichen. Alle in diesem Handbuch beschriebenen Elemente dienen nur zur Illustration und treffen auf Ihre individuelle Situation möglicherweise nicht zu. Aus der in diesem Handbuch getätigten Beschreibung können keine Rechtsansprüche oder Leistungsanforderungen geltend gemacht werden.

ENTSORGUNG DES ALTGERÄTS



Dieses Symbol zeigt an, dass das entsprechende Produkt oder dessen Batterie in Europa nicht mit dem normalen Hausmüll entsorgt werden darf. Um die ordnungsgemäße Abfallbehandlung des Produkts und dessen Batterie zu gewährleisten, müssen diese im Einklang mit allen anwendbaren örtlichen Vorschriften zur Entsorgung von Elektrogeräten und Batterien entsorgt werden. Dabei helfen Sie, natürliche Ressourcen zu schonen und Umweltschutzstandards zur Verwertung und Entsorgung von Altgeräten aufrecht zu halten (Waste Electrical and Electronic Equipment Directive).

SERVICE

Besuchen Sie bitte für weitere Informationen und unseren Kundendienst unsere Homepage www.lenco.com
Lenco Benelux BV, Thermiekstraat 1a, 6361 HB Nuth, The Netherlands.

ATTENTION :

L'utilisation de commandes ou de réglages ou l'exécution de procédures autres que ceux spécifiés dans ce manuel peut entraîner une exposition à des rayonnements dangereux.

Cet appareil ne doit pas être réglé ou réparé par quiconque d'autre que du personnel qualifié.

PRÉCAUTIONS AVANT UTILISATION**GARDEZ CES INSTRUCTIONS À L'ESPRIT :**

1. N'utilisez pas cet appareil près de l'eau.
2. Nettoyez-le uniquement avec un chiffon doux légèrement humide.
3. Ne couvrez pas et n'obturez pas les ouvertures de ventilation. Lorsque vous placez l'appareil sur une étagère, laissez 5 cm (2") d'espace libre tout autour de l'appareil.
4. Installez-le conformément au mode d'emploi fourni.
5. *Ne marchez pas sur l'adaptateur secteur ou ne le coincez pas. Faites très attention, en particulier près des fiches et du point de sortie du câble. Ne placez pas d'objets lourds sur l'adaptateur secteur, car ils pourraient l'endommager. Gardez l'appareil hors de portée des enfants ! Ils pourraient se blesser gravement s'ils jouent avec le câble d'alimentation.
6. *Débranchez cet appareil pendant les orages ou lorsqu'il n'est pas utilisé pendant une longue durée.
7. Gardez l'appareil à l'écart des sources de chaleur telles que des radiateurs, chauffages, fours, bougies et autres produits générant de la chaleur ou une flamme nue.
8. Évitez d'utiliser l'appareil à proximité de champs magnétiques puissants.
9. Des décharges électrostatiques peuvent perturber le fonctionnement normal de cet appareil. Quand cela se passe, il suffit de réinitialiser et de redémarrer l'appareil en suivant le manuel d'instructions. Pendant le transfert du fichier, manipulez l'appareil avec précaution et faites-le fonctionner dans un environnement sans électricité statique.
10. Mise en garde ! N'introduisez jamais un objet dans l'appareil par les ouvertures et les fentes de ventilation. Étant donné que des tensions élevées sont présentes à l'intérieur du produit, l'insertion d'un objet peut entraîner une électrocution et/ou court-circuiter les composants internes. Pour les mêmes raisons, ne versez pas de l'eau ou un liquide sur le produit.
11. Ne l'utilisez pas dans des endroits humides tels qu'une salle de bain, une cuisine pleine de vapeur ou à proximité d'une piscine.
12. N'utilisez pas cet appareil lorsque de la condensation est possible.
13. Bien que ce dispositif soit fabriqué avec le plus grand soin et contrôlé à plusieurs reprises avant de quitter l'usine, il est toujours possible que des problèmes se produisent, comme avec tous les appareils électriques. Si l'appareil émet de la fumée, une accumulation de chaleur excessive ou un phénomène inattendu, débranchez immédiatement la fiche d'alimentation du secteur.
14. Cet appareil doit fonctionner avec la source d'alimentation indiquée sur la plaque signalétique. Si vous n'êtes pas sûr du type d'alimentation utilisé chez vous, consultez votre revendeur ou le fournisseur d'électricité local.
15. *La prise secteur doit être installée près de l'appareil et doit être facilement accessible.
16. *Ne surchargez pas les prises de courant ou les rallonges. Une surcharge peut entraîner un incendie ou une électrocution.
17. *Les appareils à la norme de construction de classe 1 doivent être branchés à une prise de courant disposant d'une connexion protectrice à la terre.
18. *Les appareils à la norme de construction de classe 2 ne nécessitent pas de connexion à la terre.
19. Tenez-le à l'abri des rongeurs. Les rongeurs adorent mordre les cordons d'alimentation.
20. *Tirez toujours sur la fiche pour débrancher le cordon de la prise secteur. Ne tirez pas sur le cordon d'alimentation. Cela pourrait provoquer un court-circuit.
21. Évitez de placer l'appareil sur des surfaces sujettes aux vibrations ou aux chocs.
22. Pour nettoyer l'appareil, servez-vous d'un chiffon doux et sec. N'utilisez pas de solvant ni d'autre liquide à base de pétrole. Pour enlever les taches importantes, vous pouvez vous servir d'un chiffon humide imbibé d'une solution de détergent diluée.
23. Le fournisseur n'est pas responsable des dommages ou pertes de données causés par un dysfonctionnement, une utilisation abusive, une modification de l'appareil ou un remplacement des piles.
24. N'interrompez pas la connexion lorsque l'appareil formate ou transfère des fichiers. Sinon, les données pourraient être endommagées ou perdues.
25. Si l'appareil a une fonction de lecture USB, il faut brancher la clé USB directement sur l'appareil. N'utilisez pas de rallonge USB, car cela peut causer des interférences provoquant une perte de données.
26. L'appareil ne doit pas être exposé à des écoulements ou des éclaboussures et aucun objet contenant un liquide, tel qu'un vase, ne doit être posé sur ou près de l'appareil.
27. *Pour que l'alimentation soit parfaitement déconnectée, la fiche d'alimentation de l'appareil doit être débranchée de la prise secteur.

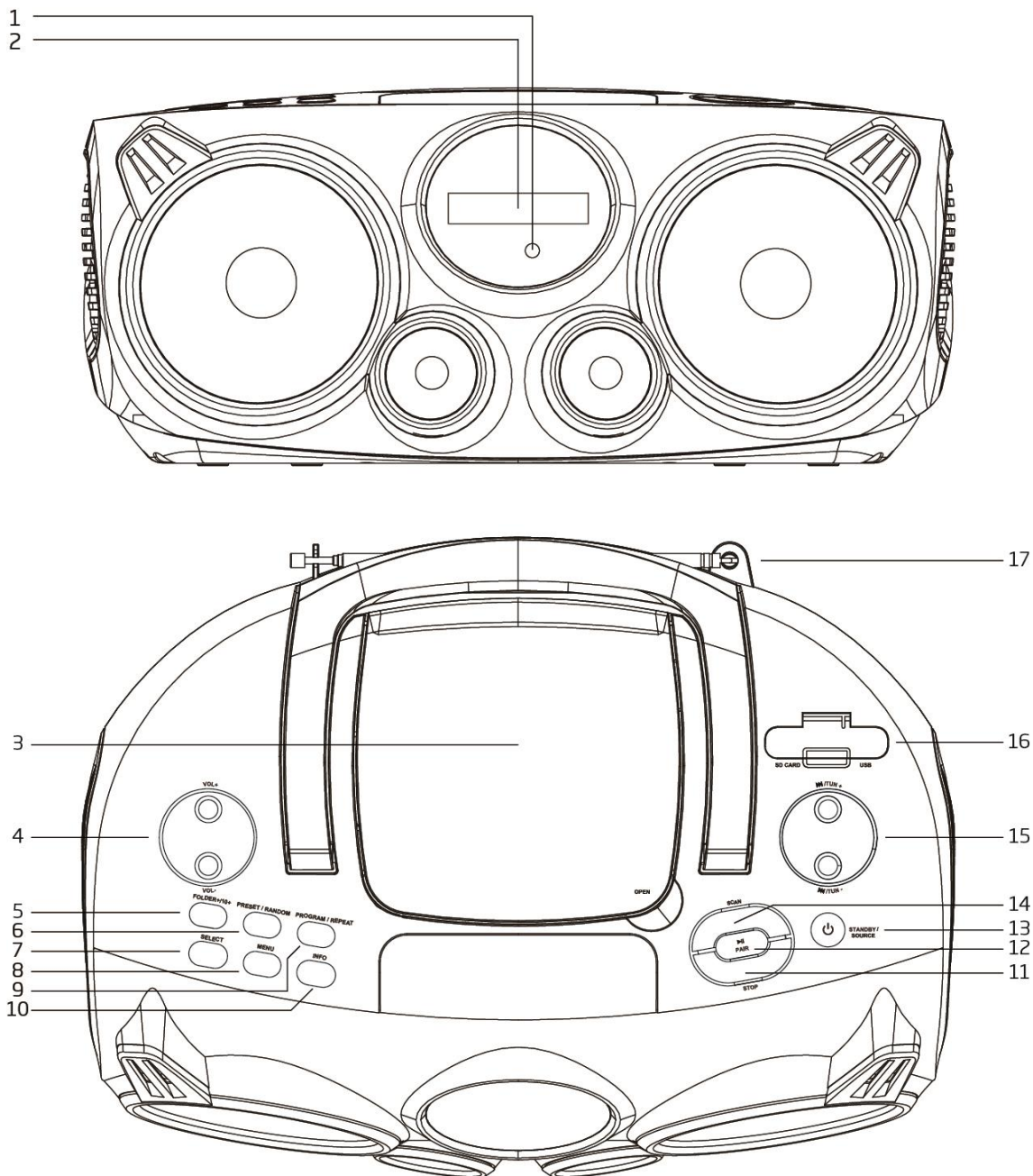
28. Si l'appareil a la possibilité de fonctionner sur batterie, n'exposez pas la batterie à une chaleur extrême telle que les rayons du soleil, le feu ou toute autre chaleur.
29. Veuillez considérer les questions environnementales lors de la mise au rebut des piles.
30. L'appareil doit être utilisé uniquement sous des conditions climatiques modérées, évitez un environnement extrêmement froid ou chaud.
31. La plaque signalétique se situe en dessous ou à l'arrière de l'appareil.
32. Cet appareil n'est pas destiné à être utilisé par des personnes (enfants compris) souffrant de handicaps physiques, sensoriels ou mentaux, ou manquant d'expérience et de connaissances, sauf si elles sont sous surveillance ou ont reçu des instructions sur l'utilisation correcte de l'appareil par la personne qui est responsable de leur sécurité.
33. Ce produit est réservé à un usage non professionnel, et non pas à un usage commercial ni industriel.
34. Vérifiez que l'appareil est en position stable. La garantie ne couvre pas les dégâts occasionnés par l'utilisation de cet appareil en position instable ou par la non-observation de tout autre avertissement ou précaution contenus dans ce mode d'emploi.
35. Ne retirez jamais le boîtier de l'appareil.
36. Ne placez jamais cet appareil sur un autre appareil électrique.
37. N'utilisez et ne rangez pas ce produit au soleil, à la chaleur, à la poussière ou à des vibrations excessives.
38. Ne laissez pas les sacs en plastique à la portée des enfants.
39. Utilisez uniquement les accessoires recommandés par le fabricant.
40. Confiez l'entretien et les réparations à un personnel qualifié. Une réparation est nécessaire lorsque l'appareil a été endommagé d'une quelconque façon telle qu'un cordon d'alimentation ou une prise endommagés, lorsqu'un liquide a été renversé ou des objets ont été introduits dans l'appareil, lorsque l'appareil a été exposé à la pluie ou à l'humidité, lorsqu'il ne fonctionne pas correctement ou lorsque l'appareil est tombé.
41. *N'utilisez pas un cordon ou une fiche d'alimentation endommagé ni une prise desserrée. Vous risqueriez de causer un incendie ou une décharge électrique.
42. Une exposition prolongée aux sons puissants des lecteurs personnels de musique peut entraîner une perte temporaire ou permanente de l'ouïe.

INSTALLATION




- Déballer toutes les pièces et enlever le matériau de protection.
- *Ne connectez pas l'unité au secteur avant d'avoir vérifié la tension du secteur et avant que toutes les autres connexions n'aient été effectuées.

*** ces instructions s'appliquent uniquement aux produits utilisant un câble d'alimentation ou un adaptateur secteur.**

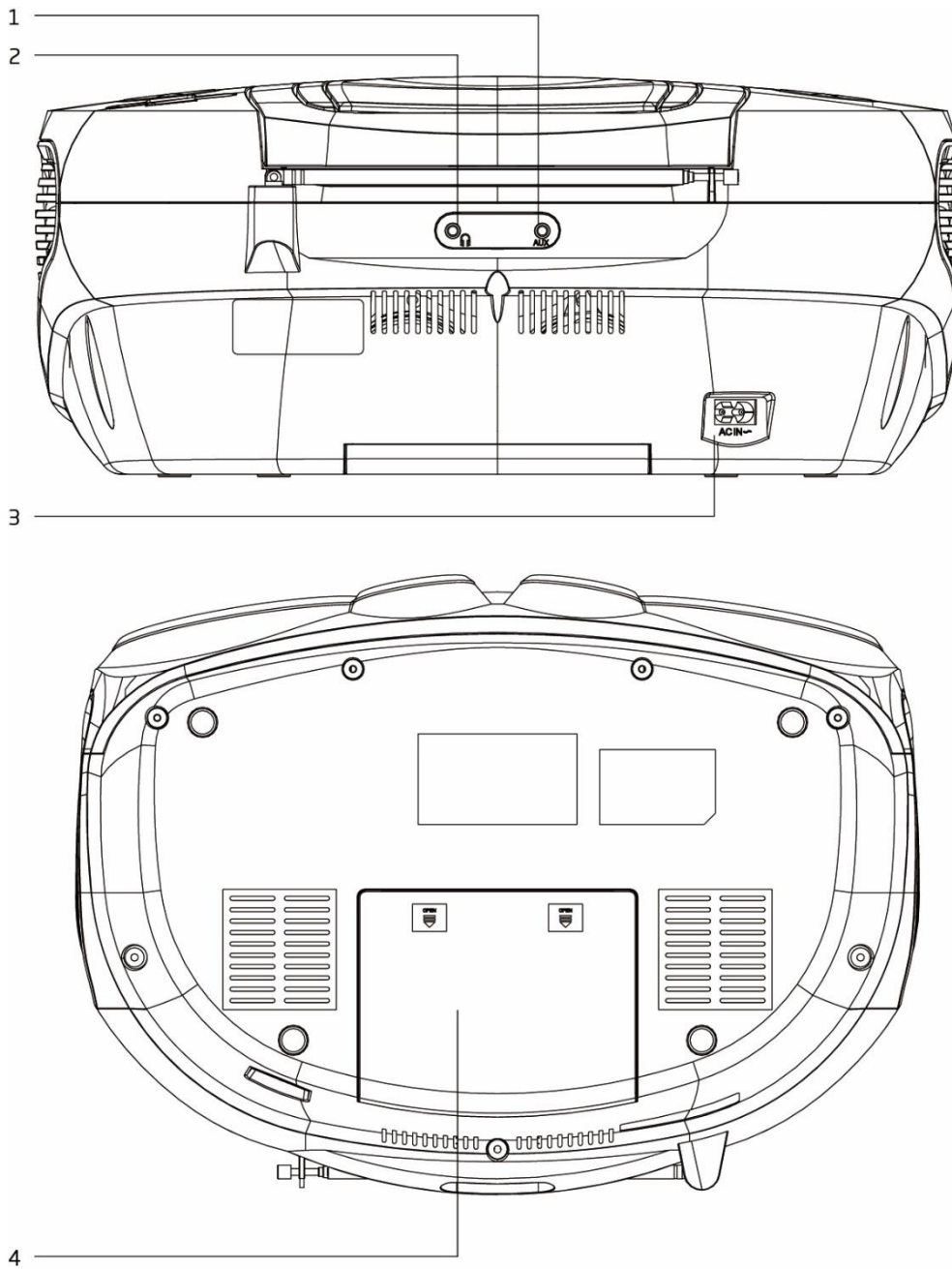
AVANT ET DESSUS



1. FENÊTRE DE RÉCEPTION IR
2. AFFICHAGE
Pour afficher l'état de fonctionnement de l'appareil et des informations
3. PORTE DU COMPARTIMENT DE CD
4. VOL +/VOL -
Pour régler le volume principal
5. DOSSIER+/10+
CD/USB/SD : En cours de lecture, appuyez dessus pour avancer de 10 pistes.
Maintenez ce bouton enfoncé pour aller au dossier suivant (dossier +).
6. PRÉRÉGLAGE/ALÉATOIRE
DAB/FM : Appuyez pour accéder au rappel des chaînes mémorisées
Maintenez appuyée pour accéder à la mémorisation des chaînes
CD/USB/SD : En cours de lecture, appuyez dessus pour débiter la lecture aléatoire. Rappuyez dessus pour revenir à la lecture normale.
7. SÉLEC.
Appuyez dessus pour sélectionner le réglage à modifier dans le menu.
8. MENU
Appuyez pour accéder au Menu

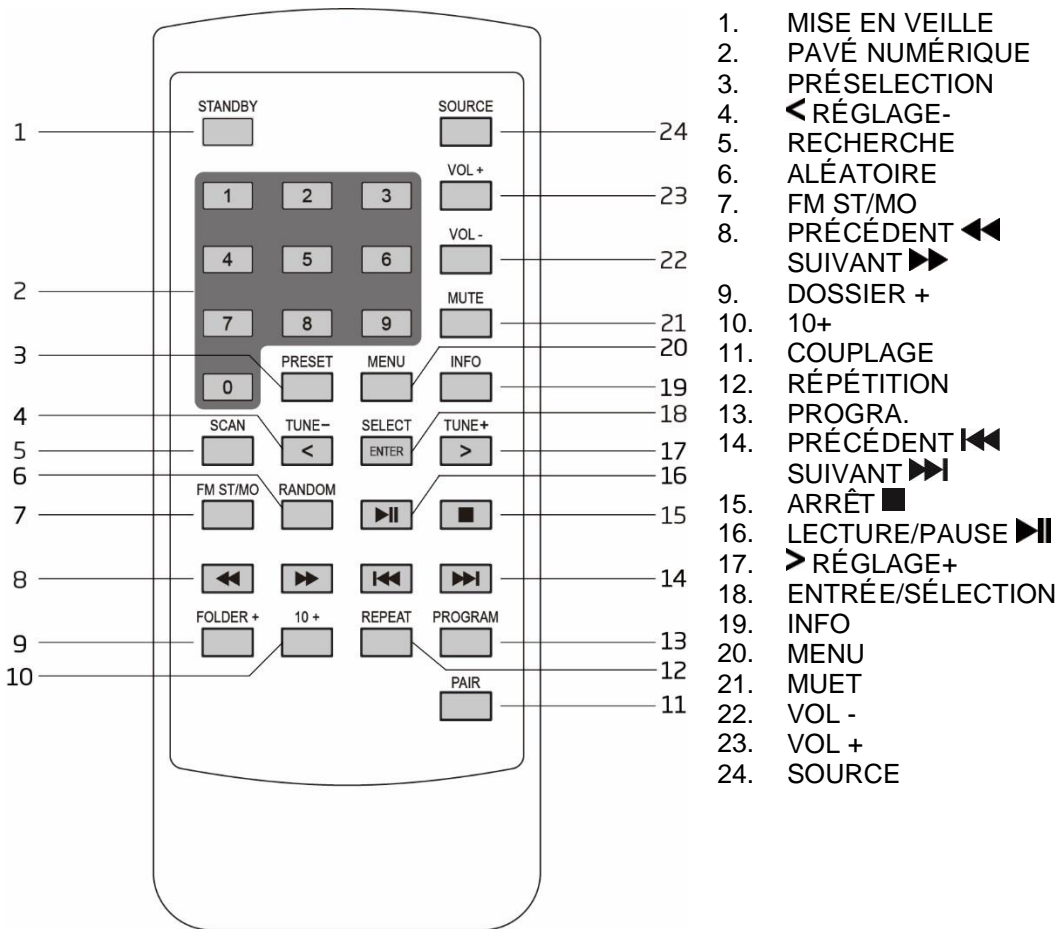
9. PROGRAMME/RÉPÉTITION
CD/USB/SD : En cours de lecture, appuyez dessus pour débiter la lecture en boucle.
En mode arrêt, appuyez dessus pour passer en mode de lecture programmée.
10. INFO
DAB/FM : Appuyez dessus pour afficher les informations de la station.
CD/USB/SD : Pendant la lecture MP3, appuyez pour afficher le dossier/numéro de morceau ou morceau/temps de lecture
11. ARRÊT
Appuyez dessus pour arrêter la lecture CD/USB/SD.
12. /APPARIER
CD/USB/SD/BT : Appuyez dessus pour mettre la lecture en pause ou bien reprendre la lecture.
BT : Si vous maintenez ce bouton enfoncé, cela désactivera la connexion actuelle et lancera une recherche de nouveaux appareils Bluetooth.
13. VEILLE/SOURCE
Appuyez dessus pour mettre en marche l'appareil. Maintenez appuyée pour passer en mode veille
Une fois l'appareil allumé, appuyez sur cette touche pour choisir un mode de fonctionnement parmi :
DAB/FM/CD/USB/SD/BT/AUX
14. RECHERCHE
DAB : Appuyez dessus pour démarrer une recherche automatique et stocker toutes les stations DAB disponibles.
FM : Appuyez pour rechercher la station FM suivante disponible
15. /RÉGL- et /RÉGL+
DAB : Appuyez dessus pour afficher les informations de la prochaine station.
FM : Appuyez brièvement pour syntoniser une autre fréquence
Maintenez enfoncé pour rechercher la prochaine station disponible.
CD/USB/SD/BT : En cours de lecture, appuyez sur dessus pour passer à la piste précédente ou suivante.
16. ENTRÉE USB et CARTE SD
17. ANTENNE TÉLESCOPIQUE
Elle doit être déployée afin d'assurer une bonne réception DAB/FM

ARRIÈRE ET DESSOUS



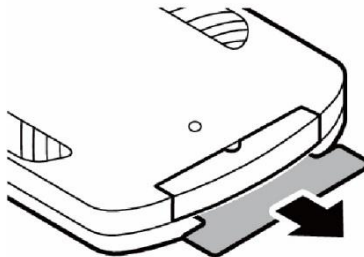
1. AUX
Pour brancher un lecteur audio externe
2. PRISE DE SORTIE CASQUE
Pour brancher des écouteurs externes
3. ENTRÉE CA ~
Branchez le câble d'alimentation dans cette prise.
4. CACHE DES PILES

TÉLÉCOMMANDE

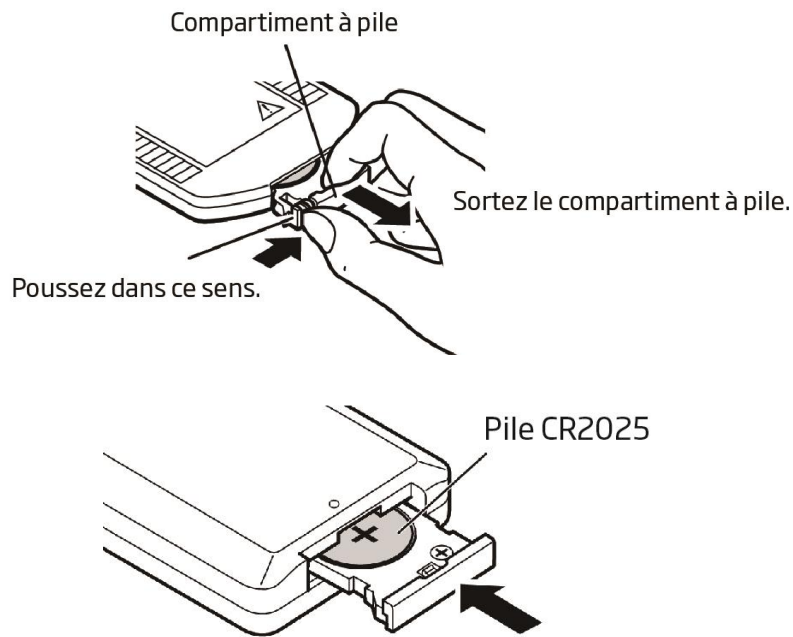


Utilisation de la télécommande

Une pile CR2025 est déjà installée dans la télécommande. Avant utilisation, sortez la bande isolante du compartiment à pile comme indiqué ci-dessous.



Pour installer une pile neuve, consultez la figure ci-dessous. En installant une pile, veillez à suivre les instructions.



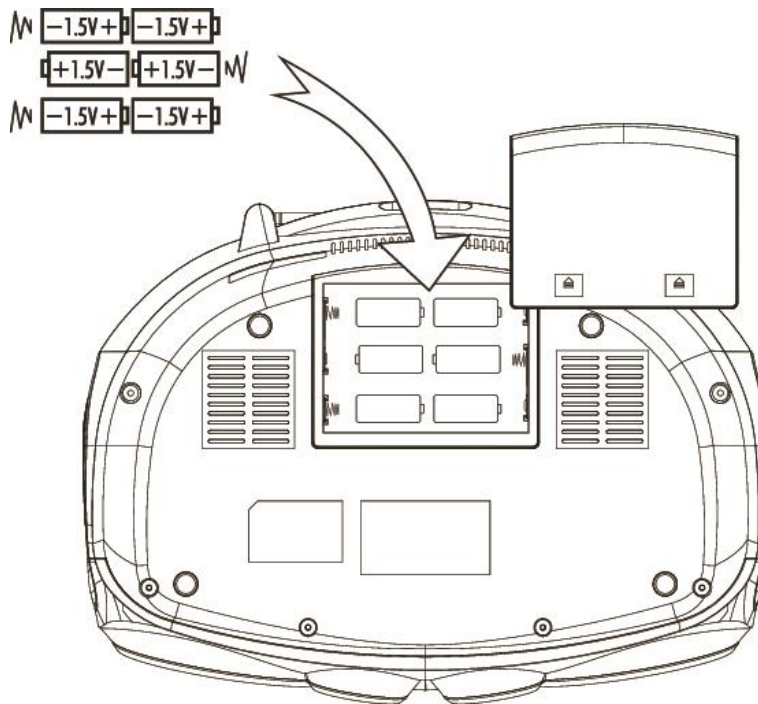
- Si la télécommande entre en conflit avec d'autres appareils, le fonctionnement sera affecté.
- N'appuyez pas simultanément sur des boutons sur l'appareil et la télécommande.
- Évitez d'utiliser deux télécommandes en même temps, car cela causerait un dysfonctionnement.
- Utilisez uniquement des piles de type CR-2025.
- Si la pile fuit, nettoyez soigneusement la télécommande avant de placer une pile neuve.
- Ne court-circuitiez pas deux bornes des piles. Mettez au rebut les piles usagées dans un endroit approprié.

BRANCHEMENT À L'ALIMENTATION ÉLECTRIQUE

1. Branchez l'extrémité du cordon d'alimentation amovible à la prise d'entrée CA sur le panneau arrière de l'appareil et l'autre extrémité à la prise secteur.
2. Appuyez sur le bouton STANDBY pour mettre l'appareil en marche.

BRANCHEMENT CC

Pour un fonctionnement CC, débranchez d'abord la fiche CA de la prise secteur et débranchez le cordon d'alimentation CA de la prise d'entrée CA. Installez ensuite 6 piles de taille C (UM-2) dans le compartiment à piles. Retirez les piles lorsque l'appareil ne va pas être utilisé pendant une longue période, car il consomme de l'énergie même en mode veille.



FONCTIONNEMENT DE BASE

Appuyez sur le bouton STANDBY pour mettre l'appareil en marche. Maintenez appuyée la touche STANDBY pour éteindre l'appareil.

DAB/FM/CD/USB/SD/BT/AUX

Appuyez sur le bouton SOURCE pour sélectionner différentes sources.

Réglage du Volume

Appuyez sur les boutons VOL-/VOL+ pour changer le volume.

Ajustement de l'antenne

L'antenne télescopique doit être déployée afin d'assurer une bonne réception FM. Orientez l'antenne autrement afin d'améliorer la réception.

UTILISATION EN DAB

Lors de la première utilisation du mode DAB, l'appareil recherche automatiquement les stations DAB disponibles. Patientez jusqu'à la fin de la recherche. L'écran indiquera la progression de la recherche. Après la recherche, la radio se syntonisera sur la première station. Les stations sont triées par chiffres puis dans l'ordre alphabétique. Toutes les stations trouvées sont stockées. À la prochaine mise en marche de l'appareil, il n'y aura pas de recherche automatique.

Recherche automatique

1. Mettez l'appareil en marche et réglez-le en mode DAB.
2. Appuyez sur la touche SCAN pour lancer la recherche automatique des stations disponibles.

Recherche manuelle

1. Mettez l'appareil en marche et réglez-le en mode DAB.
2. Appuyez sur la touche MENU pour accéder au menu.
3. Utilisez les touches TUNE- </TUNE+ > jusqu'à ce que « Manual tune » (Recherche manuelle) apparaisse, puis appuyez sur ENTER.

- Utilisez les touches TUNE- </TUNE+ > pour sélectionner un canal (de 5A à 13F).
- Pour sélectionner un autre canal (de 5A à 13F), utilisez les touches TUNE- </TUNE+ >.
- Appuyez sur ENTER pour confirmer.

Syntonisation

Utilisez les touches TUNE- </TUNE+ > pour afficher des informations sur la station suivante. Ensuite, appuyez sur le bouton ENTER pour que la radio se syntonise à cette station en quelques secondes.

Mémorisation de préréglages DAB

Vous pouvez mémoriser 20 stations DAB au maximum.

- Syntonisez la station à mémoriser.
- Maintenez enfoncé le bouton PRESET (préréglage). Le numéro de position mémoire se met à clignoter.
- Appuyez sur le bouton < TUNE- ou > TUNE+ jusqu'à atteindre un numéro voulu à assigner à la station приёміле. Ensuite, appuyez sur le bouton ENTER pour sauvegarder.

Charger des stations préréglées DAB

- Appuyez sur la touche PRESET. Le numéro de position mémoire reste figé sur l'écran.
- Utilisez les touches TUNE- </TUNE+ > pour sélectionner une position mémoire de station à écouter. Appuyez sur la touche ENTER pour écouter la station mémorisée.

Affichage des informations d'une station DAB

Les différents types d'informations existants sont mentionnés ci-dessous. Pour changer les informations affichées, appuyez plusieurs fois sur le bouton INFO.

- Défilement du texte de radio
Comprend des titres de musique ou des détails de programme fournis par le diffuseur.
- Type de programme (PTY) :
Type de programme fourni par le diffuseur.
- Nom de multiplexe
Affiche le nom du multiplexe auquel appartient la station en cours.
- Station et fréquence
Numéro et fréquence de la station.
- Débit binaire audio
Il s'agit du débit binaire audio de la station en cours.
- Taux d'erreurs de signal
Affiche les erreurs reçues. Plus cette valeur est grande, plus il y a d'erreurs reçues. Pour améliorer la réception, ajustez la position de l'antenne.
- Heure et date
L'heure et la date actuelles fournies par le radiodiffuseur.

AUTRES UTILISATIONS DU MENU DAB

Appuyez sur la touche MENU pour accéder au menu. Utilisez les touches TUNE- </TUNE+ > pour afficher différentes options, comme décrit ci-dessous.

Contrôle de la gamme dynamique (DRC)

DRC peut rendre les sons faibles plus faciles à entendre quand l'appareil est utilisé dans un environnement bruyant. Le niveau de DRC d'une diffusion est défini par le diffuseur et transmis avec le service. Une modification de la valeur de DRC sur votre appareil vous permet d'appliquer un facteur d'échelle à ce niveau.

Il y a trois niveaux de compression :

DRC Élevé :	Compression maximale telle qu'envoyée avec le service transmis.
DRC Faible :	Réglé sur 1/2 du service transmis envoyé.
DRC Désactivé :	Pas de compression

- Appuyez sur la touche MENU pour accéder au menu.
- Utilisez les touches TUNE- </TUNE+ > jusqu'à ce que « DRC » (Contrôle de la gamme dynamique) apparaisse, puis appuyez sur ENTER.
- Utilisez les touches TUNE- </TUNE+ > pour sélectionner une valeur pour le Contrôle de la gamme dynamique, puis appuyez sur ENTER pour confirmer.
- Appuyez sur la touche MENU pour quitter le menu.

Remarque :

- Il n'est pas possible d'utiliser la fonction DRC avec certaines diffusions DAB. Si la diffusion ne prend pas en charge le DRC, alors le réglage de DRC dans l'appareil n'aura aucun effet
- Après avoir réglé le niveau de DRC, le son peut être plus fort.

Éliminer toutes les stations non valables

Cette fonction supprime les stations inactives.

1. Appuyez sur la touche MENU pour accéder au menu.
2. Utilisez les touches TUNE- </TUNE+> jusqu'à ce que « Prune » (Purge) apparaisse, puis appuyez sur ENTER pour purger les stations inutilisées.
3. Appuyez sur la touche MENU pour quitter le menu.

UTILISATION DE LA RADIO FM

Recherche automatique

1. Mettez l'appareil en marche et réglez-le en mode FM.
2. Appuyez sur la touche SCAN pour rechercher la station FM disponible suivante.

Recherche manuelle

1. Appuyez plusieurs fois sur la touche TUNE- < ou TUNE + > pour chercher une fréquence différente.
2. Maintenez appuyée la touche TUNE- < ou TUNE+ > pour rechercher automatiquement la station disponible suivante.

Mémorisation de présélections FM

La radio peut mémoriser au total 20 FM stations.

1. Syntonisez la station à mémoriser.
2. Maintenez enfoncé le bouton PRESET (présélection). Le numéro de position mémoire se met à clignoter.
3. Appuyez sur le bouton < TUNE- ou > TUNE+ jusqu'à atteindre un numéro voulu à assigner à la station. Ensuite, appuyez sur le bouton ENTER pour sauvegarder.

Charger des stations présélectionnées FM

1. Appuyez sur la touche PRESET. Le numéro de position mémoire reste figé sur l'écran.
2. Utilisez les touches TUNE- </TUNE+> pour sélectionner une position mémoire de station à écouter. Appuyez sur la touche ENTER pour écouter la station mémorisée.

Sélection Stéréo/forcer mono

Lors de la réception d'une station FM diffusée en stéréo, appuyez sur la touche FM ST/MO pour basculer entre audio stéréo ou audio mono.

Affichage des informations d'une station FM

Les différents types d'informations existants sont mentionnés ci-dessous. Pour changer les informations affichées, appuyez plusieurs fois sur le bouton INFO.

1. Texte radio
Texte défilant avec des informations sur les titres de musique ou les programmes radiodiffusés.
2. Type de programme (PTY) :
Type de programme fourni par le diffuseur.
3. Puissance du signal
La barre de la force du signal indique la force du signal de réception actuelle. Plus les rectangles sont remplis, plus le signal reçu est fort. Le rectangle non rempli à gauche est un niveau de seuil où la puissance du signal reçu doit dépasser ce seuil. Pour améliorer la réception, ajustez la position de l'antenne.
4. Heure et date
L'heure et la date actuelles fournies par le radiodiffuseur.
5. Fréquence
Fréquence du canal actuel

AUTRES UTILISATIONS DU MENU FM

Appuyez sur la touche MENU pour accéder au menu. Utilisez les touches TUNE- </TUNE+> pour afficher différentes options, comme décrit ci-dessous.

Réglages de recherche

1. Appuyez sur la touche MENU pour accéder au menu.
2. Utilisez les touches TUNE- </TUNE+> jusqu'à ce que « Scan setting » (Réglage de la recherche) apparaisse, puis appuyez sur la touche ENTER.
3. Utilisez les touches TUNE- </TUNE+> pour basculer entre « All stations » (Toutes les stations) ou « Strong only » (Stations fortes uniquement) puis appuyez sur ENTER pour confirmer. Quand « All stations » (toutes les stations) est sélectionné, toutes les stations seront détectées durant la recherche FM même si la station de radio a du bruit. Si vous choisissez « Stations fortes uniquement », seules les stations avec un signal fort sont recherchées. La recherche ignorera les stations qui ont du bruit.
4. Lors de la prochaine recherche FM, l'appareil recherchera les stations en se basant sur ce réglage confirmé.
5. Appuyez sur la touche MENU pour quitter le menu.

Réglages audio

1. Appuyez sur la touche MENU pour accéder au menu.
2. Utilisez les touches TUNE-◀/TUNE+▶ jusqu'à ce que « Audio Mode » (Mode audio) apparaisse, puis appuyez sur ENTER.
3. Utilisez les touches TUNE-◀/TUNE+▶ pour basculer entre « Stereo » (Stéréo) ou « Mono », puis appuyez sur ENTER pour confirmer.
4. Appuyez sur la touche MENU pour quitter le menu.

UTILISATION CD/USB/SD

Charger et lire un disque CD

Ouvrez la porte CD. Installez un CD avec la face imprimée vers le haut. Fermez la porte du compartiment à CD. Appuyez sur le bouton SOURCE pour sélectionner le mode CD. Après l'analyse, le nombre total de pistes s'affichera sur l'écran. Appuyez sur le bouton LECTURE/PAUSE ▶|| pour lancer la lecture.

Lecture à partir d'une clé USB

Branchez une clé USB dans le port USB. Appuyez sur le bouton SOURCE pour sélectionner le mode USB. Après l'analyse, le nombre total de pistes s'affichera sur l'écran. Appuyez sur le bouton LECTURE/PAUSE ▶|| pour lancer la lecture.

Lecture à partir d'une carte SD

Branchez une carte SD dans le lecteur de carte SD. Appuyez sur le bouton SOURCE pour sélectionner le mode carte SD. Après l'analyse, le nombre total de pistes s'affichera sur l'écran. Appuyez sur le bouton LECTURE/PAUSE ▶|| pour lancer la lecture.

Commande Lecture/pause

Pour mettre la lecture en pause, appuyez sur LECTURE/PAUSE ▶||. Rappuyez sur ce bouton pour reprendre la lecture.

Commande Arrêt

Pour arrêter la lecture, appuyez sur le bouton ARRÊT ■.

Changement de piste

En cours de lecture, appuyez sur le bouton PRÉCÉDENT ◀◀ ou SUIVANT ▶▶ pour rechercher la piste précédente ou suivante.

Lecture aléatoire

Durant la lecture, appuyez sur le bouton RANDOM pour lire la musique dans un ordre aléatoire. « Random » (Aléatoire) apparaît. Rappuyez sur le bouton RANDOM pour reprendre la lecture normale.

Recherche de musique rapide

Durant la lecture, maintenez enfoncé le bouton PRÉCÉDENT ◀◀ ou SUIVANT ▶▶ pour faire une avance rapide ou un retour rapide. Quand vous relâchez le bouton PRÉCÉDENT ◀◀ ou SUIVANT ▶▶, la lecture à vitesse normale reprend.

Répétition de la lecture

Pendant la lecture, appuyez sur la touche REPEAT, « Rpt.1 » (Répéter 1) apparaît. La piste en cours se lira en boucle. Appuyez de nouveau sur la touche REPEAT, « Rpt.all » (Répéter tout) apparaît. Toutes les pistes se liront en boucle. Rappuyez sur le bouton REPEAT pour reprendre la lecture normale.

Lors de la lecture d'un dossier de fichiers MP3, l'option « Rpt.folder » (Répéter dossier) apparaît.

Dossier suivant (fichiers MP3 uniquement)

Pendant la lecture MP3, appuyez sur le bouton FOLDER + de la télécommande (ou maintenez enfoncé le bouton FOLDER+ sur l'appareil) pour aller au dossier suivant (dossier +).

En mode arrêt, appuyez sur le bouton FOLDER + de la télécommande (ou maintenez enfoncé le bouton FOLDER+ sur l'appareil) pour changer de dossier. Ensuite, appuyez sur le bouton PRÉCÉDENT ◀◀ ou SUIVANT ▶▶ pour sélectionner une station à lire. Appuyez sur le bouton LECTURE/PAUSE ▶|| pour lancer la lecture de la piste.

Lecture programmée

Cet appareil peut être programmé pour lire n'importe quelle séquence allant jusqu'à 20 pistes.

1. En mode arrêt, appuyez sur le bouton PROGRAM sur la télécommande. « P01 » s'affiche sur l'écran.
2. Appuyez sur le bouton PRÉCÉDENT ◀◀ ou SUIVANT ▶▶ pour sélectionner la station voulue.
3. Appuyez sur le bouton PROGRAM pour sauvegarder la piste voulue.
4. Recommencez les étapes 2 à 4 pour programmer jusqu'à 20 pistes.
5. Appuyez sur le bouton LECTURE/PAUSE ▶|| pour commencer la lecture dans l'ordre programmé.
6. Pour effacer la lecture programmée, appuyez deux fois sur le bouton ARRÊT ■ ou changez de mode.
7. Lors de la lecture programmée, vous pouvez également utiliser la fonctionnalité répéter une piste ou répéter tout. Mais en cours de lecture programmée, la lecture aléatoire n'est pas prise en charge.

AUDIO BLUETOOTH

Suivez les instructions d'appariement ci-dessous pour associer l'appareil à votre appareil Bluetooth.

1. Appuyez plusieurs fois sur le bouton SOURCE pour passer en mode Bluetooth. L'écran affiche « BT ». L'appareil commence la recherche et l'écran clignotera.
 2. Si l'appareil n'a jamais été apparié à un appareil Bluetooth auparavant ou ne parvient pas à trouver le dernier appareil apparié, l'écran et l'indicateur d'état Bluetooth continueront de clignoter. Activez la fonction Bluetooth de votre appareil et activez la recherche jusqu'à ce qu'il ait trouvé « Lenco SCD-685 ». Sélectionnez « Lenco SCD-685 » sur votre appareil Bluetooth pour effectuer la connexion. Saisissez le mot de passe « 0000 », si nécessaire.
 3. Une fois que l'appariement est établi, l'appareil affiche « BT » (Bluetooth) fixement, sans clignoter.
 4. Vous pouvez maintenant commencer à lire de la musique à partir de votre Smartphone sans fil sur l'enceinte.
 5. Vous pouvez appuyer sur le bouton **||** pour mettre la lecture en pause ou reprendre la playback.
 6. Vous pouvez appuyer sur le bouton PRÉCÉDENT **◀◀** ou SUIVANT **▶▶** pour rechercher la piste suivante ou précédente.
- Appuyez sur le bouton PAIR de la télécommande (ou maintenez enfoncé le bouton PAIR sur l'appareil) pour désactiver la connexion actuelle et commencer à rechercher un autre nouvel appareil Bluetooth

Entrée auxiliaire

Elle vous permet de brancher le son d'un lecteur externe à votre appareil.

1. Branchez un câble audio de 3,5 mm (non inclus) à la sortie de ligne externe de votre lecteur et branchez l'autre extrémité à la prise AUX.
2. Appuyez sur le bouton SOURCE pour passer en mode AUX. « AUX » (Auxiliaire) apparaît utilisation apparaisse
3. Lancez la lecture de musique sur votre lecteur externe.
4. L'appareil produira le son.

ÉCONOMIE D'ÉNERGIE

Conformément à la législation ErP catégorie II et afin de préserver l'environnement, l'appareil passera automatiquement en mode veille au bout de 15 minutes sans lecture de musique.

Pour réactiver l'appareil, appuyez sur le bouton STANDBY pour allumer l'appareil.

RÉGLAGE DE L'HORLOGE

Réglage de l'horloge.

1. Éteignez l'appareil en le mettant en mode veille.
 2. Maintenez appuyée la touche MENU pour afficher le format d'affichage de l'heure.
 3. Utilisez les touches TUNE- </TUNE+> pour basculer entre le format 24 heures ou 12 heures. Appuyez sur la touche MENU pour continuer.
 4. Les chiffres des heures se mettent à clignoter. Utilisez les touches TUNE- </TUNE+> pour régler les heures. Appuyez sur la touche MENU pour continuer.
 5. Les minutes clignoteront. Utilisez les touches TUNE- </TUNE+> pour régler les minutes. Appuyez sur la touche MENU pour terminer le réglage.
- Le réglage de l'horloge peut être automatiquement remplacé par l'heure diffusée par la station DAB/FM.

VÉRIFICATION DE LA VERSION DU LOGICIEL

Vous pouvez consulter la version du logiciel de l'appareil.

1. Mettez l'appareil en marche et réglez-le en mode DAB ou FM.
2. Appuyez sur la touche MENU pour accéder au menu.
3. Utilisez les touches TUNE- </TUNE+> jusqu'à ce que « SW Version » (version du logiciel) apparaisse, puis appuyez sur ENTER pour afficher la version du logiciel.
4. Appuyez sur la touche MENU pour quitter le menu.

CONFIGURATION DE LA LANGUE

Vous pouvez régler la langue de l'appareil.

1. Mettez l'appareil en marche et réglez-le en mode DAB ou FM.
2. Appuyez sur la touche MENU pour accéder au menu.
3. Utilisez les touches TUNE- </TUNE+> jusqu'à ce que « Language » (Langue) apparaisse, puis appuyez sur ENTER.
4. Utilisez les touches TUNE- </TUNE+> pour choisir une langue. Sélectionnez la langue voulue et confirmez en appuyant sur ENTER.
5. Appuyez sur la touche MENU pour quitter le menu.

RÉINITIALISATION DES RÉGLAGES D'USINE

Cette fonction rétablit les réglages d'usine initiaux de l'appareil.

1. Mettez l'appareil en marche et réglez-le en mode DAB ou FM.
2. Appuyez sur la touche MENU pour accéder au menu.
3. Utilisez les touches TUNE- </TUNE+> jusqu'à ce que « Factory Reset » (Restaurer les paramètres par défaut) apparaisse, puis appuyez sur ENTER.
4. Utilisez les touches TUNE- </TUNE+> jusqu'à ce que « <Yes> » (Oui) apparaisse, puis appuyez sur ENTER pour réinitialiser l'appareil.

ACCESSOIRES

- 1 câble d'alimentation
- 1 télécommande
- Mode d'emploi x 1

CARACTÉRISTIQUES TECHNIQUES

Plage de fréquence radio DAB+	174,928-239,2 MHz
Plage de fréquence radio FM	87,5-108 MHz
Entrée d'alimentation CA	230V~, 50Hz
Puissance absorbée	22 W
Fonctionnement sur piles	6 piles UM2 (taille C)
Puissance de sortie des enceintes	2 x 5 W
Bluetooth	V2.1 + EDR
USB	Prise USB 2.0 de type A
SD	Lecteur de carte SD pleine taille
Entrée auxiliaire	Prise jack stéréo de 3,5 mm
Sortie casque	Prise jack stéréo de 3,5 mm
Pile de la télécommande	1 pile CR2025
Dimensions (L x P x H)	372 x 160 x 273 mm
Poids	2,4 kg

- Les caractéristiques sont indiquées uniquement à titre indicatif. Les valeurs de poids et de taille sont des approximations.
- Nos produits sont en amélioration continue, c'est pour cela que les spécifications et les fonctionnalités sont susceptibles d'être modifiées sans préavis.

GARANTIE

Lenco propose un service et une garantie conformément à la législation européenne, ce qui signifie qu'en cas de besoin de réparation (aussi bien pendant et après la période de garantie), vous pouvez contacter votre revendeur le plus proche.

Remarque importante : Il n'est **pas** possible de renvoyer l'appareil pour réparation directement à Lenco.

Remarque importante : Si l'unité est ouverte ou modifiée de quelque manière que ce soit par un réparateur non agréé, la garantie serait caduque.

Cet appareil ne convient pas à une utilisation professionnelle. En cas d'utilisation professionnelle, les obligations de garantie du fabricant seront annulées.

AVIS DE NON RESPONSABILITÉ

Des mises à jour du logiciel et/ou des composants informatiques sont régulièrement effectuées. Il se peut donc que certaines instructions, caractéristiques et images présentes dans ce document diffèrent légèrement de votre configuration spécifique. Tous les articles décrits dans ce guide sont fournis uniquement à des fins d'illustration et peuvent ne pas s'appliquer à une configuration spécifique. Aucun droit légal ne peut être obtenu depuis les informations contenues dans ce manuel.

MISE AU REBUT DE L'APPAREIL USAGÉ



Ce symbole indique que le produit électrique concerné ou la batterie ne doivent pas être jetés parmi les autres déchets ménagers en Europe. Pour garantir un traitement correct du déchet de la batterie ou de l'appareil, veuillez les mettre au rebut conformément aux règlements locaux en vigueur relatifs aux appareils électriques et autres batteries. En agissant de la sorte, vous contribuerez à la préservation des ressources naturelles et à l'amélioration des niveaux de protection environnementale concernant le traitement et la destruction des déchets électriques (directive sur les déchets des équipements électriques et électroniques).

SERVICE APRÈS-VENTE

Pour en savoir plus et obtenir de l'assistance, visitez www.lenco.com
Lenco Benelux BV, Thermiekstraat 1a, 6361 HB, Nuth, Pays-Bas.

PRECAUCIÓN:

El uso de los controles o ajustes o el funcionamiento de los procedimientos excepto a aquellos especificados aquí pueden provocar una exposición peligrosa a la radiación.

Esta unidad no debe ajustarse o repararse por ninguna persona salvo personal de servicio cualificado.

PRECAUCIONES PREVIAS AL USO**TENGA ESTAS INSTRUCCIONES EN MENTE:**

1. No use este dispositivo cerca del agua.
2. Límpielo únicamente con un paño ligeramente humedecido.
3. No cubra o bloquee ninguna apertura de ventilación. Cuando coloque el dispositivo en una estantería, deje 5 cm (2") de espacio libre alrededor de todo el dispositivo.
4. Instálelo conforme al manual de usuario que se adjunta.
5. *No pise o pince el adaptador de alimentación. Tenga mucho cuidado, en especial cerca de las tomas y el punto de salida del cable. No coloque objetos pesados en el adaptador de alimentación, ya que pueden dañarlo. ¡Mantenga el dispositivo fuera del alcance de los niños! Si juegan con el cable de alimentación, puede sufrir lesiones graves.
6. *Desconecte el dispositivo durante tormentas eléctricas o cuando no vaya a usarse durante periodos prolongados de tiempo.
7. Mantenga el aparato alejado de fuentes de calor, como radiadores, calentadores, estufas, velas u otros productos que generen calor o llama viva.
8. Evite usar el dispositivo cerca de campos magnéticos fuertes.
9. Una descarga electrostática puede entorpecer el uso normal de este dispositivo. En tal caso, simplemente reinícielo siguiendo el manual de instrucciones. Durante la transmisión de archivos, por favor manéjelo con cuidado opérela en un entorno libre de electricidad estática.
10. ¡Advertencia! Nunca inserte un objeto en el producto a través de las ventilaciones o aperturas. Alto voltaje fluye a través del producto e insertar un objeto puede provocar una descarga eléctrica y/o un cortocircuito de sus componentes internos. Por el mismo motivo, no derrame agua o líquidos en el producto.
11. No lo utilice en zonas húmedas, como cuartos de baño, cocinas en las que se forme vapor ni cerca de piscinas.
12. No use este dispositivo cuando se pueda producir condensación.
13. Aunque este dispositivo está fabricado con el máximo cuidado y comprobado varias veces antes de salir de fábrica, todavía es posible que se puedan producir problemas, al igual que con todos los aparatos eléctricos. Si observa la aparición de humo, una acumulación excesiva de calor o cualquier otro fenómeno inesperado, deberá desconectar inmediatamente el enchufe de la toma de corriente.
14. Este dispositivo debe funcionar con una fuente de alimentación que se especifica en la etiqueta de especificaciones. Si no está seguro del tipo de alimentación que se usa en su hogar, consulte con el distribuidor o una compañía eléctrica local.
15. *La salida de la toma debe instalarse cerca del equipo y debe ser fácilmente accesible.
16. *No sobrecargue las tomas CA o los cables de extensión. La sobrecarga puede provocar un incendio o una descarga eléctrica.
17. *Los dispositivos con construcción Clase 1 deben estar conectados a una toma de corriente con una conexión a tierra protegida.
18. *Los dispositivos con construcción Clase 2 no requieren una conexión a tierra.
19. Manténgalo alejado de los roedores. Los roedores disfrutan mordiendo cables de alimentación.
20. *Sujete siempre el enchufe cuando los extraiga de la toma de corriente. No tire del cable de alimentación. Esto puede provocar un cortocircuito.
21. Evite colocar la unidad sobre superficies sometidas a vibraciones o impactos.
22. Para limpiar el dispositivo use un paño seco y suave. No utilice líquidos disolventes ni con base de petróleo. Para eliminar manchas difíciles, puede usar un paño húmedo con detergente diluido.
23. El proveedor no asume ninguna responsabilidad por daños o datos perdidos provocados por un funcionamiento incorrecto, uso incorrecto, modificación del dispositivo o sustitución de la batería.
24. No interrumpa la conexión cuando el dispositivo esté formateando o transfiriendo archivos. En caso contrario, los datos se pueden estropear o perder.
25. Si la unidad dispone de función de reproducción USB, se debe conectar la memoria USB directamente en la unidad. No use un cable de extensión USB ya que puede causar interferencias lo que puede provocar un fallo en los datos.
26. El aparato no debe exponerse a goteos o salpicaduras y asegúrese de que ningún objeto lleno de líquido, como jarrones, se colocan sobre o cerca del aparato.
27. *Para desconectar completamente la entrada de alimentación, el enchufe del aparato deberá desconectarse de la alimentación, ya que el dispositivo de desconexión es el enchufe del aparato.
28. Si la unidad funciona con batería, la batería no debe exponerse a un calor excesivo como a la luz solar, el fuego o similares.
29. Se debe prestar atención a los aspectos medioambientales sobre la eliminación de baterías.

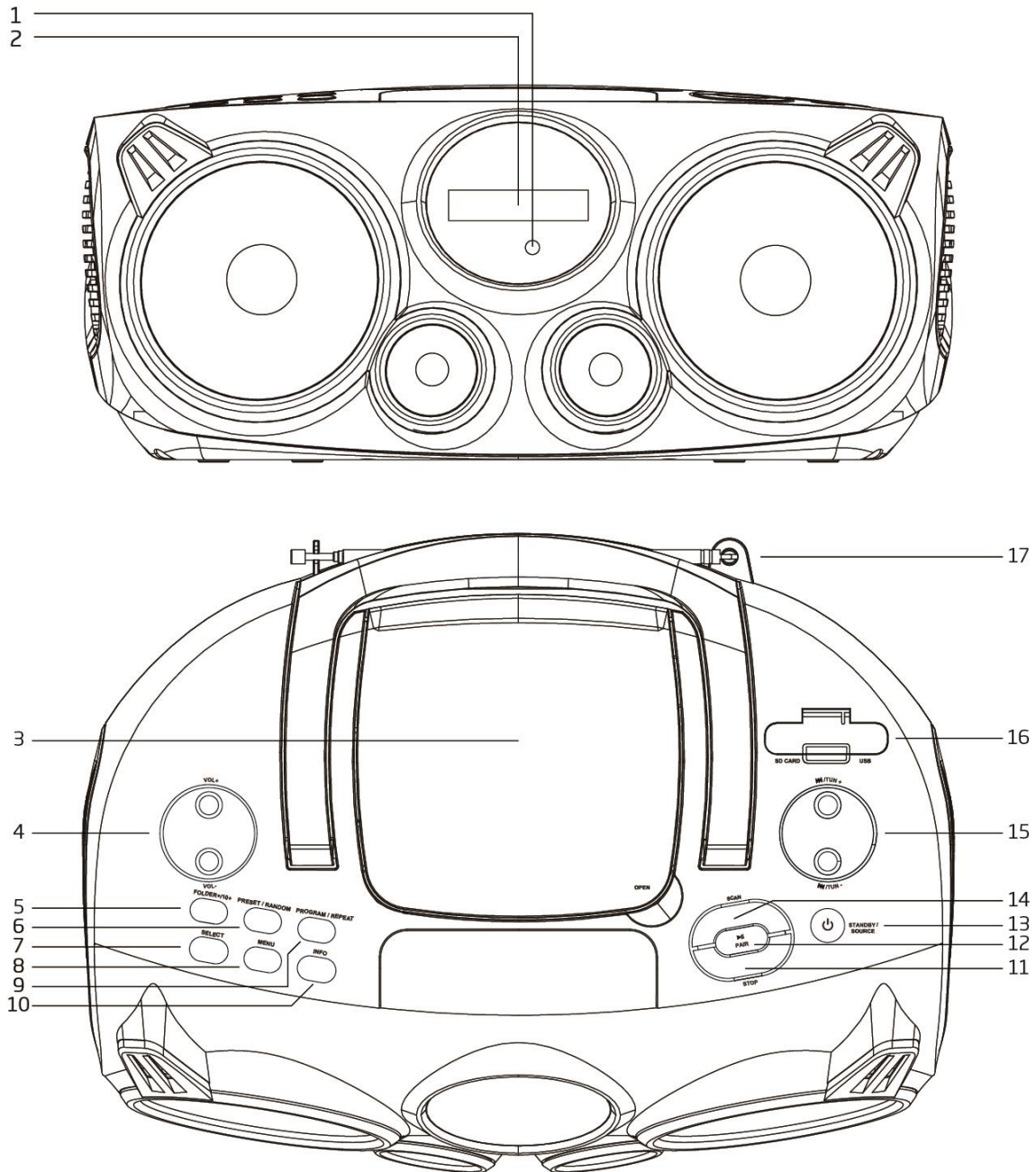
30. El aparato solo debe usarse en climas moderados o extremadamente fríos y deben evitarse los entornos calurosos.
31. La etiqueta identificativa aparece marcada en la parte inferior o en el trasero del aparato.
32. Este aparato no está diseñado para su uso por personas (incluyendo niños) con discapacidades físicas, sensoriales o mentales o con falta de experiencia o conocimientos, salvo que estén bajo la supervisión o hayan recibido formación sobre el uso correcto del dispositivo por parte de una persona responsable de su seguridad.
33. Este producto está diseñado para un uso no profesional únicamente y no para un uso comercial o industrial.
34. Asegúrese de que la unidad esté fijada en una posición estable. Los daños provocados por utilizar este producto en una posición inestable o por no seguir cualquier otra advertencia o precaución incluida en este manual de usuario no estarán cubiertos por la garantía.
35. No retire nunca la carcasa de este aparato.
36. Nunca coloque el aparato sobre otro equipo eléctrico.
37. No utilice ni guarde el producto en lugares expuestos a la luz solar directa, a altas temperaturas, a la vibración ni en ambientes excesivamente polvorientos.
38. Mantenga las bolsas de plástico fuera del alcance de los niños.
39. Use únicamente los dispositivos/accesorios especificados por el fabricante.
40. Remita todas las reparaciones al personal cualificado. La reparación es necesaria cuando el aparato presente cualquier tipo de daño, como el cable de alimentación o el enchufe, cuando se haya derramado líquido o hayan caído objetos sobre el aparato, o cuando el aparato se haya visto expuesto a la lluvia o humedad, o no funcione normalmente o se haya caído.
41. *No utilice un cable de alimentación o enchufe deteriorado o una toma suelta. Si lo hace, podría provocar un incendio o una descarga eléctrica.
42. La exposición prolongada a sonidos fuertes de reproductores personales de música puede provocar pérdida de audición temporal o permanente.

INSTALACIÓN




- Desembale todas las piezas y retire el material protector.
- *No conecte la unidad a la corriente eléctrica antes de comprobar la tensión de la corriente y antes de que se hayan hecho todas las demás conexiones.

*** Estas instrucciones solo están relacionadas con productos que usen un cable de alimentación o un adaptador de corriente CA.**

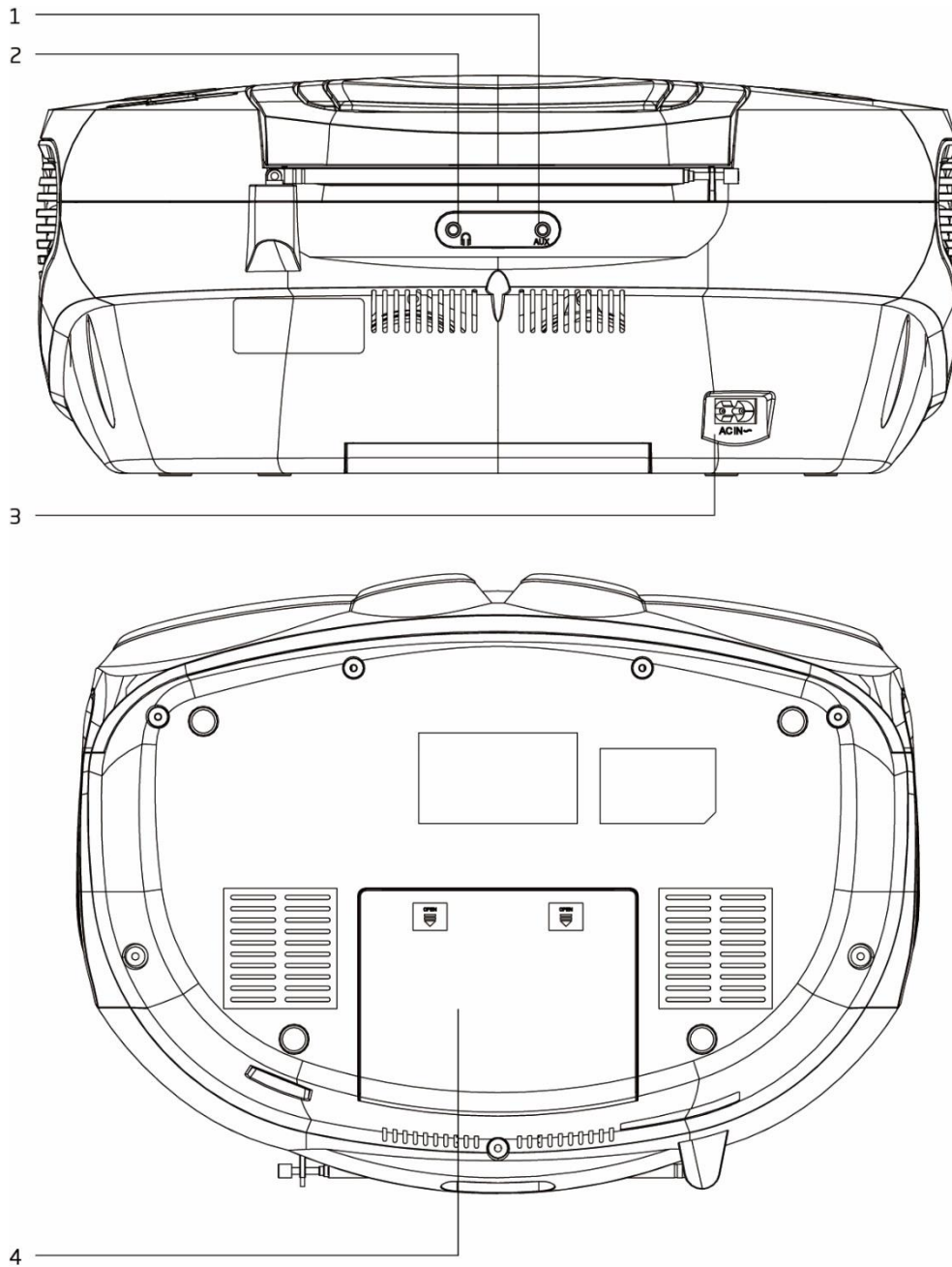
PARTE DELANTERA Y SUPERIOR



1. VENTANA DE RECEPCIÓN DE INFRARROJOS
2. DISPLAY
Muestra el estado de funcionamiento de la unidad e información
3. PUERTA DEL COMPARTIMENTO DE DISCOS CD
4. VOLUMEN +/VOLUMEN -
Ajusta el volumen principal
5. CARPETA+/10+
CD/USB/SD: Durante la reproducción, púselo para buscar el número de la pista actual aumentando por 10
Mantenerlo pulsado buscará en la siguiente carpeta (carpeta arriba)
6. PRESINTONÍ A/ALEATORIO
DAB/FM: Púselo para entrar en la operación de recordatorio de canales presintonizados
Manténgalo pulsado para entrar en la operación de almacenamiento de canales presintonizados
CD/USB/SD: Durante la reproducción, púselo para iniciar la reproducción aleatoria. Vuélvalo a pulsar para volver a la reproducción normal.
7. SELECCIONAR
Púselo para cambiar la configuración en el funcionamiento del menú
8. MENÚ
Púselo para entrar en el menú para cambiar la configuración

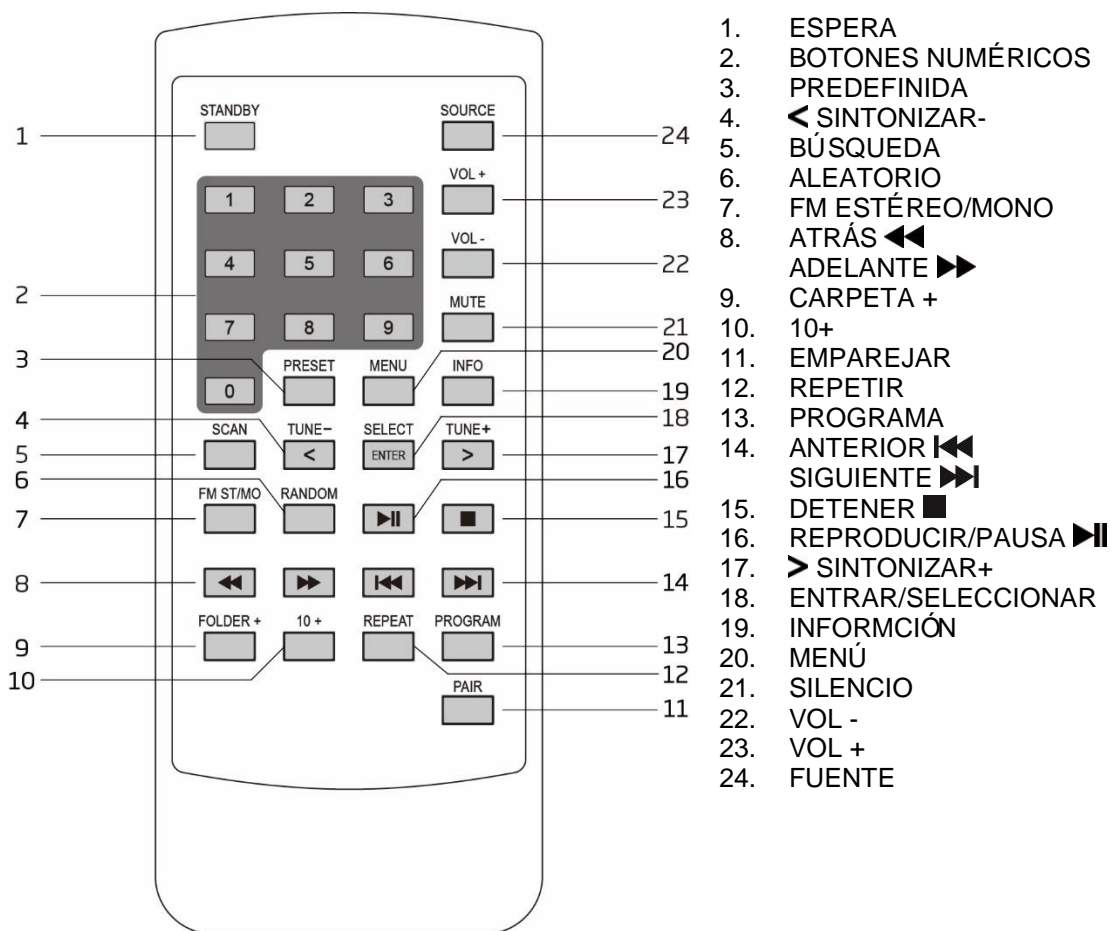
9. PROGRAMA/REPETIR
 CD/USB/SD: Durante la reproducción, púlselo para iniciar la operación de repetir reproducción.
 En modo parada, púlselo para entrar en la configuración de reproducción del programa
10. INFORMACIÓN
 DAB/FM: Púlselo para mostrar la información de la emisora.
 CD/USB/SD: Durante la reproducción de MP3, púlselo para mostrar la carpeta / número de pista o el tiempo de la pista / reproducción
11. DETENER
 Púlselo para detener el funcionamiento de la reproducción CD/USB/SD
12. EMPAREJAR
 CD/USB/SD/BT: Púlselo para cambiar entre el funcionamiento de reanudar la reproducción pausa.
 BT: Mantenerlo pulsado desconectará la conexión actual y empezará a buscar Potros dispositivo Bluetooth nuevo.
13. EN ESPERA/FUENTE
 Púlselo para encender la unidad. Manténgalo pulsado para apagarlo y entrar en modo en espera.
 Una vez que se encienda la unidad, al pulsar esta Tecla se elegirán los diferentes modos de funcionamiento:
 DAB/FM/CD/USB/SD/BT/AUX
14. BÚSQUEDA
 DAB: Manténgalo pulsado para iniciar una búsqueda automática y guardar todas las emisoras DAB disponibles.
 FM: Púlselo para buscar la siguiente emisora FM disponible
15. /SINTONIZACIÓN- y /SINTONIZACIÓN+
 DAB: Púlselo para mostrar la información de la siguiente emisora
 FM: Púlselo brevemente para sintonizar una frecuencia diferente.
 Manténgalo pulsado para buscar la siguiente emisora disponible.
 CD/USB/SD/BT: Durante la reproducción, púlselo para buscar la pista anterior o siguiente
16. USB y ENTRADA DE TARJETA SD
17. ANTENA TELESCÓPICA
 Debe extenderse para asegurar una buena recepción DAB/FM

PARTE POSTERIOR E INFERIOR



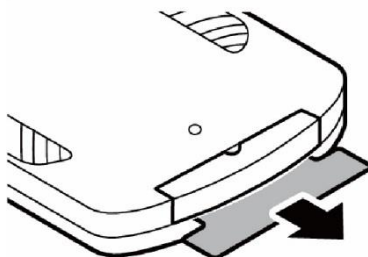
1. AUX
Conéctelo al reproductor de audio externo
2. CONECTOR DE SALIDA DE AURICULARES
Conéctelo al auricular externo
3. ENTRADA CA ~
Conecte el cable de alimentación a esta toma.
4. PUERTA DEL COMPARTIMENTO DE LAS PILAS

MANDO A DISTANCIA

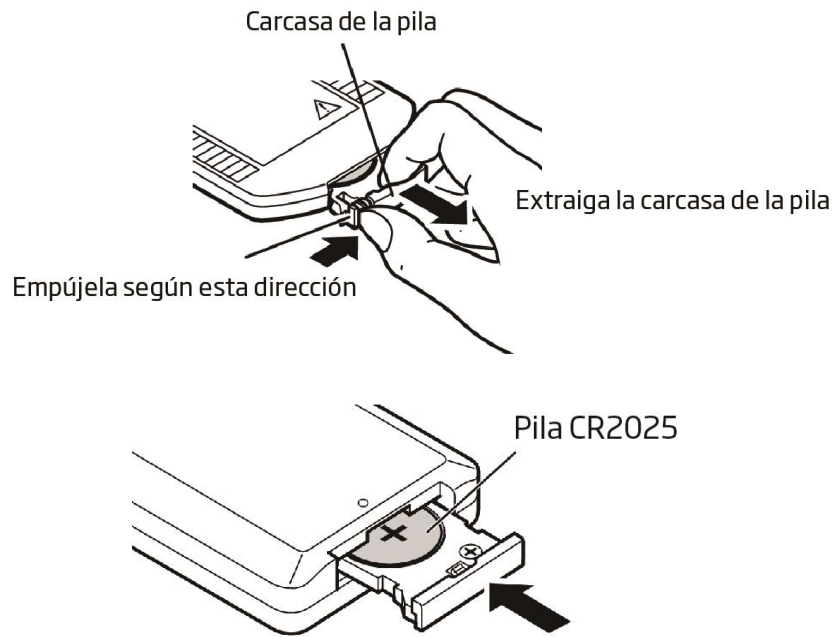


Funcionamiento del mando a distancia

En la unidad del mando a distancia ya se encuentra instalada una pila CR2025. Antes de usarlo, extraiga la hoja aislante de la pila tal y como se muestra debajo.



Para sustituir una pila nueva, por favor, remítase a la figura que se muestra debajo. Cuando inserte una pila, asegúrese de hacerlo en la dirección correcta.



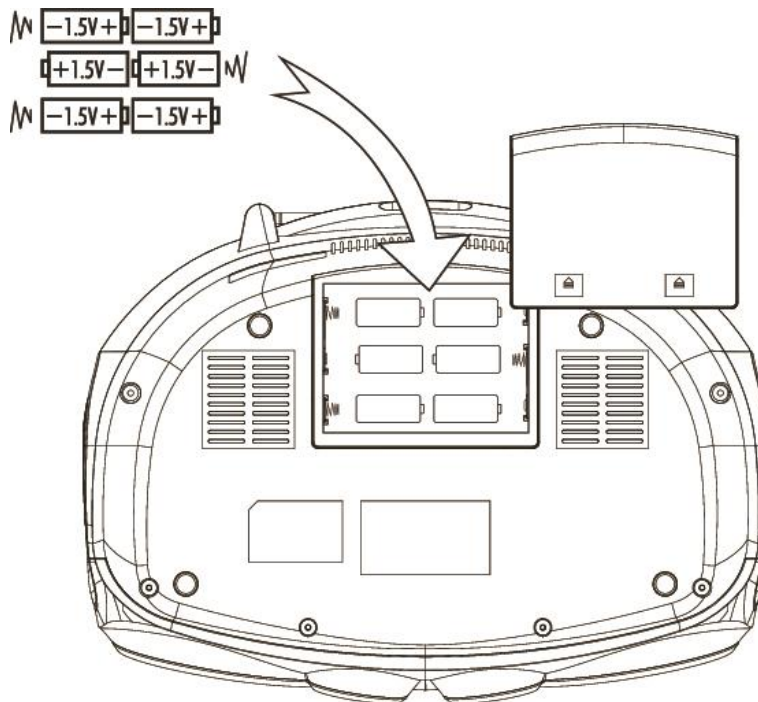
- Si el mando a distancia entra en conflicto con otros dispositivos, se verá afectado el funcionamiento.
- No pulse simultáneamente botones en la unidad y en el mando a distancia.
- Evite usar dos mandos a distancia al mismo tiempo ya que provocará un funcionamiento incorrecto.
- Use únicamente pilas tamaño CR-2025.
- Si hay una fuga en las pilas, limpie bien el mando a distancia antes de sustituir las pilas.
- No cortocircuite dos terminales de las pilas. Deshágase de las pilas antiguas en un lugar adecuado.

CONEXIÓN A LA CORRIENTE ELÉCTRICA

1. Conecte el extremo del cable eléctrico extraíble a la entrada de corriente del panel trasero de la unidad y el otro extremo a la toma eléctrica.
2. Pulse el botón STANDBY para encender la unidad.

CONEXIÓN CC

Para utilizarlo con CC, retire primero el conector de CA de la toma de CA y desconecte el cable de CA del conector de entrada de corriente. A continuación, inserte 6 pilas de tamaño C (UM-2) en el compartimento de las pilas. Como la unidad utilizará muy poco consumo energético incluso en modo en espera, se sugiere que desinstale la batería a cuando no vaya a usarla durante periodos prolongados de tiempo.



OPERACIONES BÁSICAS

Pulse el botón STANDBY para encender la unidad. Para apagarlo, vuelva mantener pulsado el botón STANDBY.

DAB/FM/CD/USB/SD/BT/AUX

Pulse el botón SOURCE para seleccionar las diferentes fuentes.

Control de volumen

Pulse los botones VOL-/VOL+ para cambiar el volumen.

Ajuste de la antena

Se debe extender la antena telescópica para asegurar una Buena recepción FM. Cambie la posición de la antena para conseguir la mejor recepción.

FUNCIONAMIENTO DAB

La primera vez que la unidad esté en modo DAB, buscará automáticamente las emisoras DAB disponibles. Espere un momento hasta que finalice la búsqueda. La pantalla mostrará el progreso de la búsqueda. Tras la búsqueda, sintonizará la primera emisora. Las emisoras se enumeran en orden numérico y después alfanumérico. Se guardan todas las emisoras encontradas. La próxima vez que se encienda la unidad, no habrá una búsqueda automática.

Búsqueda automática

1. Encienda la unidad en modo DAB.
2. Pulse el botón SCAN para iniciar la búsqueda automática de las emisoras disponibles.

Búsqueda manual

1. Encienda la unidad en modo DAB.
2. Pulse el botón MENU para acceder al control del menú.
3. Pulse el botón < TUNE- o > TUNE+ hasta que se muestre en pantalla "Manual tune" y posteriormente, pulse el botyn ENTER.
4. Pulse el botón < TUNE- o > TUNE+ para seleccionar el canal que desee (5A-13F).

5. Para seleccionar otro canal, (5A-13F), pulse el botón < TUNE- o > TUNE+.
6. Pulse ENTER para confirmarlo.

Sintonización

Pulse el botón < TUNE- o > TUNE+ para mostrar la información de la siguiente emisora. Posteriormente, pulse el botón ENTER para sintonizar esta emisora durante unos segundos.

Guardar presintonías DAB

Puede guardar hasta 20 emisoras DAB.

1. Sintonice la emisora que desee guardar.
2. Mantenga pulsado el botón PRESET. Se mostrará parpadeando el número del canal presintonizado.
3. Pulse el botón < TUNE- o > TUNE+ para presintonizar el número que desee guardar. Posteriormente, pulse el botón ENTER para guardarlo.

Recordar presintonías DAB

1. Pulse el botón PRESET. Se mostrará el número de canal presintonizado de forma constante.
2. Pulse el botón < TUNE- o > TUNE+ para presintonizar el número que desee recordar. Posteriormente, pulse el botón ENTER para seleccionar el canal presintonizado.

Mostrar la información de la emisora DAB

Existen varios tipos de información que se enumeran a continuación. Para cambiar la información de la pantalla, pulse el botón INFO de forma reiterada.

1. Desplazamiento por el texto de radio
Incluye títulos de música o detalles de programas que proporciona el emisor.
2. Tipo de programa (PTY):
Tipo de programa proporcionado por el emisor.
3. Nombre multiplex
Muestra el nombre multiplex a quien pertenece la emisora actual.
4. Canal y frecuencia
Número de canal y frecuencia.
5. Tasa bit radio
Esta es la velocidad de reproducción del canal de audio actual.
6. Tasa de error de señal
Muestra el error recibido. Cuanto mayor sea este valor mayor será el error recibido. Para mejorar la recepción, ajuste la posición de la antena.
7. Fecha y hora
La hora real y la fecha actual proporcionadas por el emisor.

OTRAS OPERACIONES DEL MENÚ DAB

Pulse el botón MENU para acceder al control del menú. Posteriormente, pulse el botón < TUNE- o > TUNE+ para las diferentes opciones que se describen debajo.

Control de gama dinámica (DRC)

El DRC puede facilitar la audición de sonidos más suaves cuando se usa la unidad en un entorno ruidoso. El nivel del DRC de una emisión lo fija el emisor y se transmite dentro del servicio. Cambiar el valor del DRC en la unidad le permite aplicar un factor de subida o bajada a este nivel.

Existen tres niveles de compresión:

DRC Alto:	Compresión máxima tal y como se envía con el servicio transmitido
DRC Bajo:	Fijado a 1/2 del que se envía en el servicio transmitido
DRC Desact.	Sin compresión

1. Pulse el botón MENU para acceder al control del menú.
2. Pulse el botón < TUNE- o > TUNE+ hasta que se muestre en pantalla "DRC" y después pulse el botón ENTER.
3. Pulse el botón < TUNE- o > TUNE+ para seleccionar el valor DRC y después pulse el botón ENTER para confirmarlo.
4. Pulse el botón MENU para salir del control de menú.

Nota:

- No todas las emisiones DAB pueden usar la función DRC. Si la emisión no es compatible con DRC entonces la configuración DRC en la unidad no tendrá ningún efecto.
- Una vez que haya ajustado el nivel DRC el sonido puede ser más alto.

Eliminar emisoras inactivas

Esta función elimina las emisoras inactivas.

1. Pulse el botón MENU para acceder al control del menú.
2. Pulse el botón < TUNE- o > TUNE+ hasta que se muestre en pantalla "Prune" y después pulse el botón ENTER para eliminar la unidad.
3. Pulse el botón MENU para salir del control de menú.

FUNCIONAMIENTO DE LA RADIO FM

Búsqueda automática

1. Encienda la unidad en modo FM.
2. Pulse el botón SCAN para buscar la siguiente emisora FM disponible.

Búsqueda manual

1. Pulse el botón < TUNE- o > TUNE+ de forma reiterada para sintonizar una frecuencia diferente.
2. De forma alternativa, mantenga pulsado el botón < TUNE- o > TUNE+ para buscar automáticamente la siguiente emisora disponible.

Guardar presintonías FM

Puede almacenar hasta 20 FM emisoras.

1. Sintonice la emisora que desee guardar.
2. Mantenga pulsado el botón PRESET. Se mostrará parpadeando el número del canal presintonizado.
3. Pulse el botón < TUNE- o > TUNE+ para presintonizar el número que desee guardar. Posteriormente, pulse el botón ENTER para guardarlo.

Recordar presintonías FM

1. Pulse el botón PRESET. Se mostrará el número de canal presintonizado de forma constante.
2. Pulse el botón < TUNE- o > TUNE+ para presintonizar el número que desee recordar. Posteriormente, pulse el botón ENTER para seleccionar el canal presintonizado.

Selección de Estéreo / Fuerza Mono

Cuando se reciba una emisora FM que emite en estéreo, pulsar el botón FM ST/MO cambiará entre audio estéreo y audio mono forzado.

Mostrar la información de una emisora FM

Existen varios tipos de información que se enumeran a continuación. Para cambiar la información de la pantalla, pulse el botón INFO de forma reiterada.

1. Radio texto
Texto que se desplaza con información sobre títulos de música o detalles del programa proporcionados por el emisor.
2. Tipo de programa (PTY):
Tipo de programa proporcionado por el emisor.
3. Intensidad de señal
Se muestra la barra de fuerza de la señal para mostrar la fuerza de la señal de recepción actual. Cuantos más rectángulos aparezcan completos, más fuerte se recibe la señal. Los rectángulos o llenos situados en el lateral izquierdo es el nivel de umbral donde la fuerza de la señal recibida debe superar ese umbral. Para mejorar la recepción, ajuste la posición de la antena.
4. Fecha y hora
La hora real y la fecha actual proporcionadas por el emisor.
5. Frecuenc.
Frecuencia del canal actual.

OTROS FUNCIONAMIENTOS DEL MENÚ FM

Pulse el botón MENU para acceder al control del menú. Posteriormente, pulse el botón < TUNE- o > TUNE+ para las diferentes opciones que se describen debajo.

Configuración de búsqueda

1. Pulse el botón MENU para acceder al control del menú.
2. Pulse el botón < TUNE- o > TUNE+ hasta que se muestre en pantalla "Scan setting" y después pulse el botón ENTER.
3. Pulse el botón < TUNE- o > TUNE+ para cambiar entre las selecciones "All stations" o "Strong only" y después pulse el botón ENTER para confirmarlo. Cuando se selecciona "All stations", se detectarán todas las emisoras durante la búsqueda FM incluso si la emisora de radio presenta mucho ruido. Cuando se selecciona "Strong only", solo se detectan las emisoras fuertes. La búsqueda ignorará todas las emisoras con mucho ruido.
4. La próxima vez que realice una búsqueda FM, la unidad buscará las emisoras basándose en la configuración confirmada.
5. Pulse el botón MENU para salir del control de menú.

Configuración de audio

1. Pulse el botón MENU para acceder al control del menú.
2. Pulse el botón < TUNE- o > TUNE+ hasta que se muestre en la pantalla "Audio Mode" y después pulse el botón ENTER.
3. Pulse el botón < TUNE- o > TUNE+ para cambiar entre la selección "Stereo" o "Mono" y después pulse el botón ENTER para confirmarlo.
4. Pulse el botón MENU para salir del control de menú.

FUNCIONAMIENTO DE CD/USB/SD

Carga y reproducción de discos CD

Abra la tapa del CD. Introduzca un disco con el lado impreso del CD hacia arriba. Cierre la puerta del CD. Pulse el botón SOURCE para entrar en modo CD. Tras su lectura en pantalla se mostrará el número total de pistas. Pulse el botón REPRODUCIR/PAUSAR ►|| para reproducirlo.

Lectura y reproducción del dispositivo USB

Inserte un dispositivo USB en una toma de entrada USB. Pulse el botón SOURCE para entrar en modo USB. Tras su lectura en pantalla se mostrará el número total de pistas. Pulse el botón REPRODUCIR/PAUSAR ►|| para reproducirlo.

Lectura y reproducción de la tarjeta SD

Inserte una tarjeta SD en la toma de entrada de tarjetas SD del aparato. Pulse el botón SOURCE para entrar en el modo tarjeta SD. Tras su lectura en pantalla se mostrará el número total de pistas. Pulse el botón REPRODUCIR/PAUSAR ►|| para reproducirlo.

Control de reproducción/pausa

Para hacer una pausa en la reproducción, pulse el botón REPRODUCIR/PAUSAR ►||. Pulse el botón de nuevo para retomar la reproducción.

Control de parada

Para detener la reproducción, pulse el botón PARAR ■.

Saltar pista

Durante la reproducción, pulse el botón ANTERIOR ◀◀ o SIGUIENTE ▶▶ para buscar la pista anterior o siguiente.

Reproducción aleatoria

Durante la reproducción, pulse el botón RANDOM para reproducir música en orden aleatorio. La pantalla mostrará "Random". Vuelva a pulsar el botón RANDOM para reanudar la reproducción normal.

Búsqueda de música a alta velocidad

Durante la reproducción, mantenga pulsado el botón RETROCEDER ◀◀ o AVANZAR ▶▶ para iniciar la búsqueda a alta velocidad. Cuando suelte el botón RETROCEDER ◀◀ o AVANZAR ▶▶ se reanudará la reproducción a velocidad normal.

Repetir reproducción

Durante la reproducción, pulse el botón REPEAT una vez que la pantalla muestre "Rpt.1". La pista actual se reproducirá repetidamente. Vuelva a pulsar el botón REPEAT; la pantalla mostrará "Rpt.all". Todas las pistas se reproducirán repetidamente. Vuelva a pulsar el botón REPEAT para reanudar la reproducción normal.

En el caso de la reproducción de carpetas de archivos MP3, existe una carpeta de repetición y la pantalla mostrará "Rpt.folder".

Carpeta arriba (únicamente archivos MP3)

Durante la reproducción de MP3, pulse el botón FOLDER + en el mando a distancia (o mantenga pulsado el botón FOLDER+ en la unidad) para buscar la siguiente carpeta (carpeta arriba).

En modo parada, pulse el botón FOLDER + en el mando a distancia (o mantenga pulsado el botón FOLDER+ en la unidad) para cambiar la carpeta. Posteriormente, pulse el botón ANTERIOR ◀◀ o SIGUIENTE ▶▶ para seleccionar la pista que desee reproducir. Pulse el botón REPRODUCIR/PAUSAR ►|| para iniciar la reproducción de la pista.

Reproducción programada

Es posible programar la unidad para reproducir una secuencia de hasta 20 pistas.

1. En modo parada, pulse el botón PROGRAM en el mando a distancia. En la pantalla se mostrará "P01".
2. Pulse el botón ANTERIOR ◀◀ o SIGUIENTE ▶▶ para seleccionar la pista que desee.
3. Pulse el botón PROGRAM para guardar la pista que desee.
4. Repita los pasos 2-4 para programar hasta 20 pistas.
5. Pulse el botón REPRODUCIR/PAUSAR ►|| para reproducir las pistas programadas.
6. Para borrar la reproducción programada, pulse dos veces el botón PARAR ■ o cambie a otro modo.
7. Durante la reproducción programada, también puede utilizar las funciones Repetir una o Repetir todo. Sin embargo, durante la reproducción programada no se puede usar la reproducción aleatoria.

AUDIO BLUETOOTH

Siga estas instrucciones de vinculación para conectar la unidad a su dispositivo Bluetooth.

1. Pulse el botón SOURCE de forma reiterada para entrar en el modo Bluetooth. La pantalla mostrará "BT". Empezará a buscar y seguirá parpadeando.
2. Si la unidad no se ha emparejado con un dispositivo Bluetooth antes o no puede encontrar el último dispositivo emparejado, la pantalla y el indicador de estado Bluetooth seguirán parpadeando. Encienda la función Bluetooth de su dispositivo y active la búsqueda hasta que se encuentre "Lenco SCD-685". Seleccione "Lenco SCD-685" en el dispositivo Bluetooth para hacer la conexión. Introduzca la contraseña "0000" si la solicita.
3. Tras emparejarse con éxito, la unidad mostrará "BT" de forma constante sin parpadear.
4. Ahora puede empezar a reproducir música desde su smartphone de forma inalámbrica en el altavoz.
5. Puede pulsar el botón **||** para hacer una pausa o reanudar la reproducción.
6. Puede pulsar el botón ANTERIOR **◀◀** o SIGUIENTE **▶▶** para buscar la canción anterior o siguiente.
- Pulsar el botón PAIR e el mando a distancia (o mantener pulsado el botón PAIR en la unidad) desconectará la conexión actual y empezará a buscar un nuevo dispositivo Bluetooth.

ENTRADA AUX

Esto le permitirá conectar el sonido de un reproductor externo mediante la unidad.

1. Conecte el cable de audio de 3.5mm (no incluido) en la salida de línea del reproductor externo y el otro extremo en la toma AUX.
2. Pulse el botón SOURCE para entrar en el modo AUX. La pantalla muestra "AUX"
3. Empiece a reproducir música con el reproductor externo.
4. La unidad reproducirá el sonido.

AHORRO DE ENERGÍA

Debido a las exigencias de la fase 2 de ErP y para proteger el medioambiente, la unidad se apagará y entrará en modo en espera automáticamente sino se reproduce música durante aproximadamente 15 minutos.

Para reactivar la unidad, pulse el botón STANDBY para encender la unidad.

CONFIGURACIÓN DEL RELOJ

Puede configurar el reloj.

1. Apague la unidad a modo en espera.
2. Mantenga pulsado el botón MENU; mostrará el formato de la pantalla de hora.
3. Pulse el botón **< TUNE-** o **> TUNE+** para cambiar entre el formato de pantalla de 24 horas o 12 horas. Pulse el botón MENU para continuar.
4. Los dígitos de la hora parpadearán. Pulse el botón **< TUNE-** o **> TUNE+** para cambiar el valor de la hora. Pulse el botón MENU para continuar.
5. Parpadearán los dígitos de los minutos. Pulse el botón **< TUNE-** o **> TUNE+** para cambiar el valor de los minutos. Pulse el botón MENU para completar la configuración.
- La configuración del reloj se puede anular automáticamente por la información en tiempo real de la emisión de la emisora DAB o FM.

COMPROBACIÓN DE LA VERSIÓN DE SOFTWARE

Puede comprobar la versión de software de la unidad.

1. Encienda la unidad en modo DAB o en modo FM.
2. Pulse el botón MENU para acceder al control del menú.
3. Pulse el botón **< TUNE-** o **> TUNE+** hasta que se muestre en la pantalla "SW Version" y posteriormente, pulse el botón ENTER para mostrar el número de versión de software.
4. Pulse el botón MENU para salir del control de menú.

CONFIGURACIÓN DE IDIOMA

Puede configurar el idioma de la unidad.

1. Encienda la unidad en modo DAB o en modo FM.
2. Pulse el botón MENU para acceder al control del menú.
3. Pulse el botón **< TUNE-** o **> TUNE+** hasta que se muestre en pantalla "Language" y después pulse el botón ENTER.
4. Pulse el botón **< TUNE-** o **> TUNE+** para cambiar entre los diferentes idiomas. Seleccione el idioma que desee y posteriormente pulse el botón ENTER para confirmarlo.
5. Pulse el botón MENU para salir del control de menú.

RESTAURAR VALORES DE FÁBRICA

Esta función reinicia la unidad a la configuración de fábrica original.

1. Encienda la unidad en modo DAB o en modo FM.
2. Pulse el botón MENU para acceder al control del menú.
3. Pulse el botón **< TUNE-** o **> TUNE+** hasta que se muestre en la pantalla "Factory Reset" y después pulse el botón ENTER.
4. Pulse el botón **< TUNE-** o **> TUNE+** hasta que se muestre en pantalla "<Yes>" y después pulse el botón ENTER para reiniciar la unidad.

ACCESORIOS

- Cable de alimentación x1
- Mando a distancia x1
- 1 manual de instrucciones

ESPECIFICACIONES TÉCNICAS

Margen de frecuencias de radio DAB+	174,928-239,2 MHz
Margen de frecuencias de radio FM	87,5-108 MHz
Entrada de alimentación CA	230 V, 50 Hz
Consumo de energía	22 W
Funcionamiento con pilas	6 pilas UM2 (tamaño C)
Potencia de salida del altavoz	2 x 5 W
Bluetooth	V2.1 + EDR
USB	Toma USB 2.0 tipo A
SD	Ranura de tarjeta SD de tamaño completo
Entrada AUX	Clavija estéreo de 3,5 mm
Salida de auriculares	Clavija estéreo de 3,5 mm
Pila del mando a distancia	1 CR2025
Dimensiones (L x D x A)	372 x 160 x 273 mm
Peso	2,4 kg

- La especificación se presenta solo como referencia. Los valores del peso y del tamaño son aproximados.
- Nuestros productos se mejoran sin cesar y la especificación y función pueden cambiarse sin previo aviso.

GARANTÍA

Lenco ofrece servicio y garantía en cumplimiento con las leyes de la Unión Europea, lo cual implica que, en caso de que su producto precise ser reparado (tanto durante como después del periodo de garantía), deberá contactar directamente con su distribuidor.

Nota importante: No es posible enviar sus reparaciones directamente a Lenco.

Nota importante: Si la unidad es abierta por un centro de servicio no oficial, la garantía quedará anulada.

Este aparato no es adecuado para el uso profesional. En caso de darle un uso profesional, todas las obligaciones de garantía del fabricante quedarán anuladas.

AVISO LEGAL

Regularmente se llevan a cabo actualizaciones en el Firmware y en los componentes del hardware. Por esta razón, algunas de las instrucciones, especificaciones e imágenes incluidas en este documento pueden diferir ligeramente respecto a su situación particular. Todos los elementos descritos en esta guía tienen un objetivo de mera ilustración, y pueden no ser de aplicación en su situación particular. No se puede obtener ningún derecho ni derecho legal a partir de la descripción hecha en este manual.

ELIMINACIÓN DE UN DISPOSITIVO USADO



Este símbolo indica que no deberá deshacerse del producto eléctrico o batería en cuestión junto con los residuos domésticos, en el ámbito de la UE. Para garantizar un tratamiento residual correcto del producto y su batería, por favor, elimínelos cumpliendo con las leyes locales aplicables sobre requisitos para el desecho de equipos eléctricos y baterías. De hacerlo, ayudará a conservar recursos naturales y mejorar los estándares de protección medioambiental en el tratamiento y eliminación de residuos eléctricos (Directiva sobre la Eliminación de Equipos Eléctricos y Electrónicos).

SERVICIO

Para obtener más información y soporte del departamento técnico, por favor, visite la página web www.lenco.com
Lenco Benelux BV, Thermiekstraat 1a, 6361 HB, Nuth, Países Bajos.