



Datenblatt - Fiche technique - Data sheet

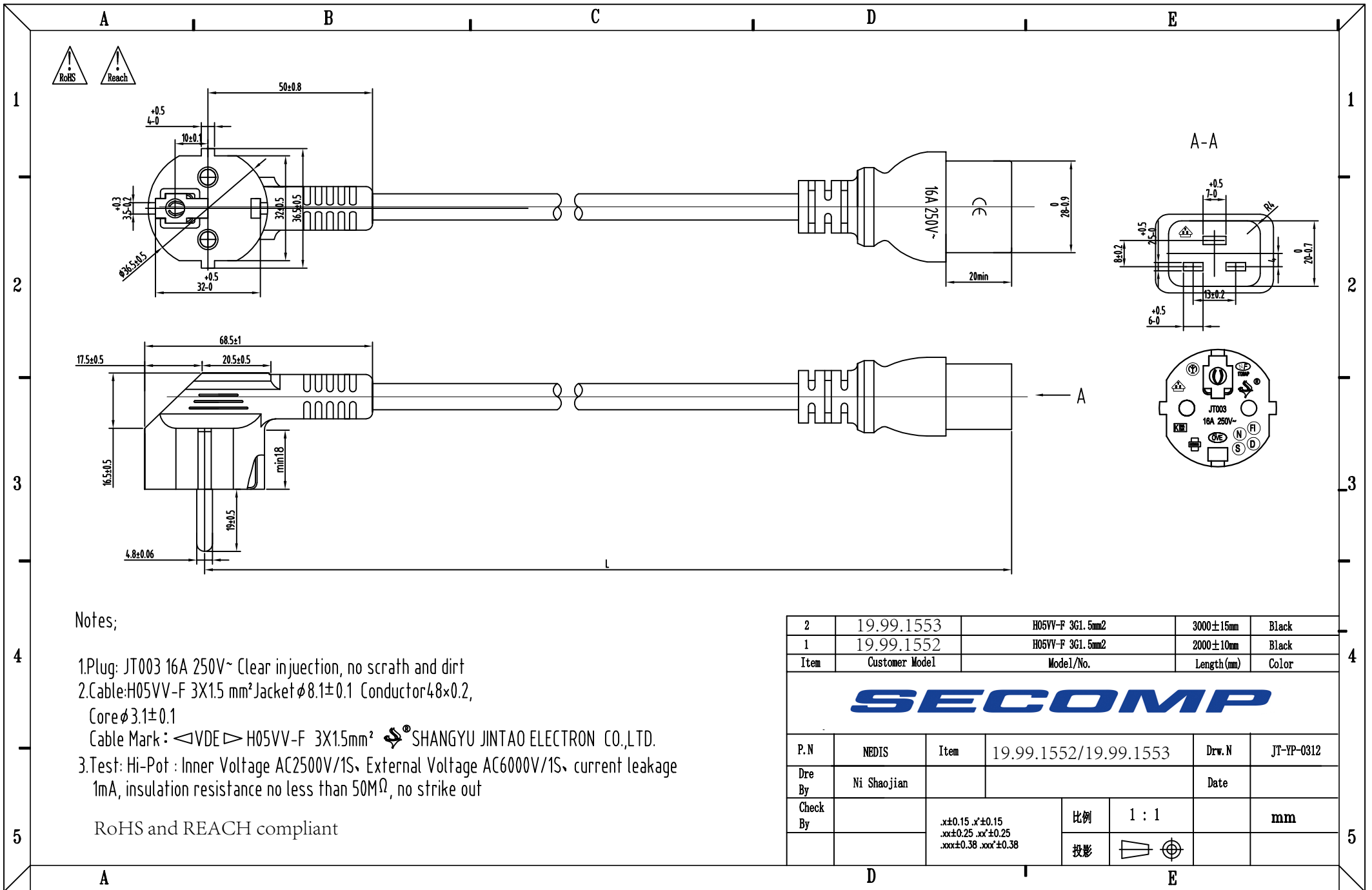
19.99.1552



VALUE Netzkabel Schutzkontakt - IEC320-C19 16A, schwarz, 2,0 m

VALUE Câble électrique Schuko - IEC320-C19 16A, noir, 2,0 m

VALUE Power Cord Schuko, IEC320 - C19 16A, black, 2.0 m



Notes:

- 1.Plug: JT003 16A 250V~ Clear injection, no scratch and dirt
- 2.Cable:H05VV-F 3X1.5 mm²Jacket $\phi 8.1 \pm 0.1$ Conductor 4.8×0.2 , Core $\phi 3.1 \pm 0.1$
Cable Mark : $\triangleleft \text{VDE} \triangleright$ H05VV-F 3X1.5mm² SHANGYU JINTAO ELECTRON CO.,LTD.
- 3.Test: Hi-Pot : Inner Voltage AC2500V/1S、 External Voltage AC6000V/1S、 current leakage 1mA, insulation resistance no less than $50 \text{ M}\Omega$, no strike out

RoHS and REACH compliant

2	19.99.1553	H05VV-F 3G1.5mm ²	3000±15mm	Black
1	19.99.1552	H05VV-F 3G1.5mm ²	2000±10mm	Black
Item	Customer Model	Model/No.	Length(mm)	Color

SECOMP

P.N	NEDIS	Item	19.99.1552/19.99.1553	Drw. N	JT-YP-0312
Dre By	Ni Shaojian			Date	
Check By		.x±0.15 .x'±0.15 .xx±0.25 .xx'±0.25 .xxx±0.38 .xxx'±0.38	比例	1 : 1	mm
			投影		