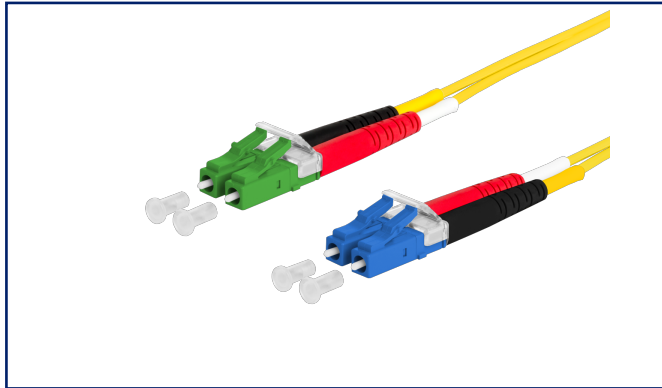


Data sheet

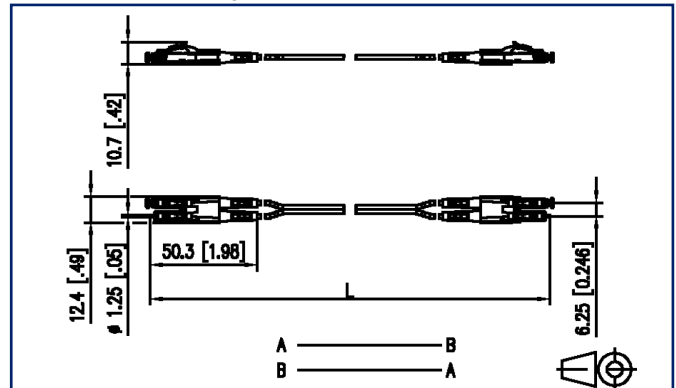
151P1JOJAXXE OpDAT PK OS2 LC-D/LCDA XXm Dupl. 2x2,0mm gelb A>BYB>A
151P1JOJAXXE

2022/10/17

Illustrations



Dimensional drawing



See enlarged drawings at the end of document

Product specification

- single mode patch cord I-V(ZN)H E9/125 OS2
 - single mode fiber OS2, E9/125 µm, bend insensitive according to IEC 60793-2-50 type B6_a and B6_b and G.657.A2 and B2, compatible to G.652.D
 - outer diameter 2.0 x 4.2 mm
 - halogen-free LSHF-FR sheath with low smoke development, flame retardant
 - duplex cord as zip-cord (figure 8) with two tight buffered fibers and aramide strain relief
 - 100 % tested
 - maximum length: 20 m
-
- all available variants can be created with the cable configurator



P | Cabling

Data sheet

Page 2/5

151P1JOJAXXE OpDAT PK OS2 LC-D/LCDA XXm Dupl. 2x2,0mm gelb A>B/B>A

151P1JOJAXXE

2022/10/17

Technical Data

General Data

Fields of application	office areas data center
Mechanical measurement according to MICE	M1
Ingress measurement according to MICE	I1
Climatic measurement according to MICE	C1
Electromagnetic measurement according to MICE	E3
Design	patch cord
Transmission technology	Fiber optic
Wiring	crossed
Color	yellow
Dimensions	
Dimension - Interface 1 (L x W x H)	50.3 mm x 12.4 mm x 10.7 mm
Dimension - Interface 1 (L x W x H)	1.98 in. x 0.488 in. x 0.421 in.
Dimension - Interface 2 (L x W x H)	50.3 mm x 12.4 mm x 10.7 mm
Dimension - Interface 2 (L x W x H)	1.98 in. x 0.488 in. x 0.421 in.
Mode type of the fiber	Singlemode
Fiber class	OS2
Fiber standard	IEC 11801
Cable Type	Duplex cable
Number of cables/ buffered fibers	2
Shape	UPC (Ultra Physical Contact)
Fiber construction	9/125 µm
Weight	8 kg/km

Connections/interfaces

Connector technology interface 1	LC-D
Connector technology interface 2	LC-D APC
Cable sheath diameter (min. - max.)	
Cable sheath diameter	2 mm - 4.2
Ferrule diameter	2.5 mm
Ferrule diameter	0.098 in.

Technical Data

Optical characteristics

Insertion loss	max. 0,3 dB
Return loss	min. 65 dB

Mechanical data

Life - Number of mating cycles	min. 1000
Maximum installation load	15 mm
Maximum installation load	0.591 in.

Materials and material properties

Bend insensitivity	yes
Flame retardancy	yes
Halogen free	yes
Silicone free	no paint wetting interfering substances (LaBS) in the process chain
LaBS Note	subsequent contamination possible due to handling and possible storage in your company
RoHS	compliant
REACH	compliant

Environmental conditions

Temperature (min. - max.)	
Temperature - Storage °C	-10 °C - 60 °C
Temperature - Storage °F	14 °F - 140 °F
Temperature - Operating °C	-10 °C - 60 °C
Temperature - Operating °F	14 °F - 140 °F
Temperature - Installation °C	-10 °C - 60 °C
Temperature - Installation °F	14 °F - 140 °F

Standards/Regulations

Generic cabling systems	
General requirements	ISO/IEC 11801
Fibre optic connector interfaces	IEC 61754-20

P | Cabling

Data sheet

Page 4/5

151P1JOJAXXE OpDAT PK OS2 LC-D/LCDA XXm Dupl. 2x2,0mm gelb A>B/B>A
151P1JOJAXXE

2022/10/17

Technical Data

Standards/Regulations

Optical fibers: Indoor optical cables

Sectional specification for class B single-mode fibres ISO/IEC 60793-2-50 type B6_a2

Optical fibers - Interconnecting devices and passive components - basic test and measuring methods

Fibre optic interconnecting devices and passive components IEC 61300-3-4 | IEC 61300-3-6

Test on gases evolved during combustion of materials from cables

Determination of acidity (by measuring the pH value) and conductivity IEC 60754-2

Tests on electric and optical fibre cables under fire conditions

Test for vertical flame propagation for a single insulated wire or cable IEC 60332-1

Test for vertical flame spread of vertically-mounted bunched wires or cables ISO/IEC 60332-3-24

Measurement of smoke density of cables burning ISO/IEC 61034

Classifications

ETIM 7.0 EC001263

ETIM 8.0 EC001263

Packing details

Type of packaging 1 pc(s) / plastic bag

© 2022 METZ CONNECT - Technische Änderungen vorbehalten! Subject to modifications! Sous réserve de modifications techniques!

P | Cabling

Data sheet

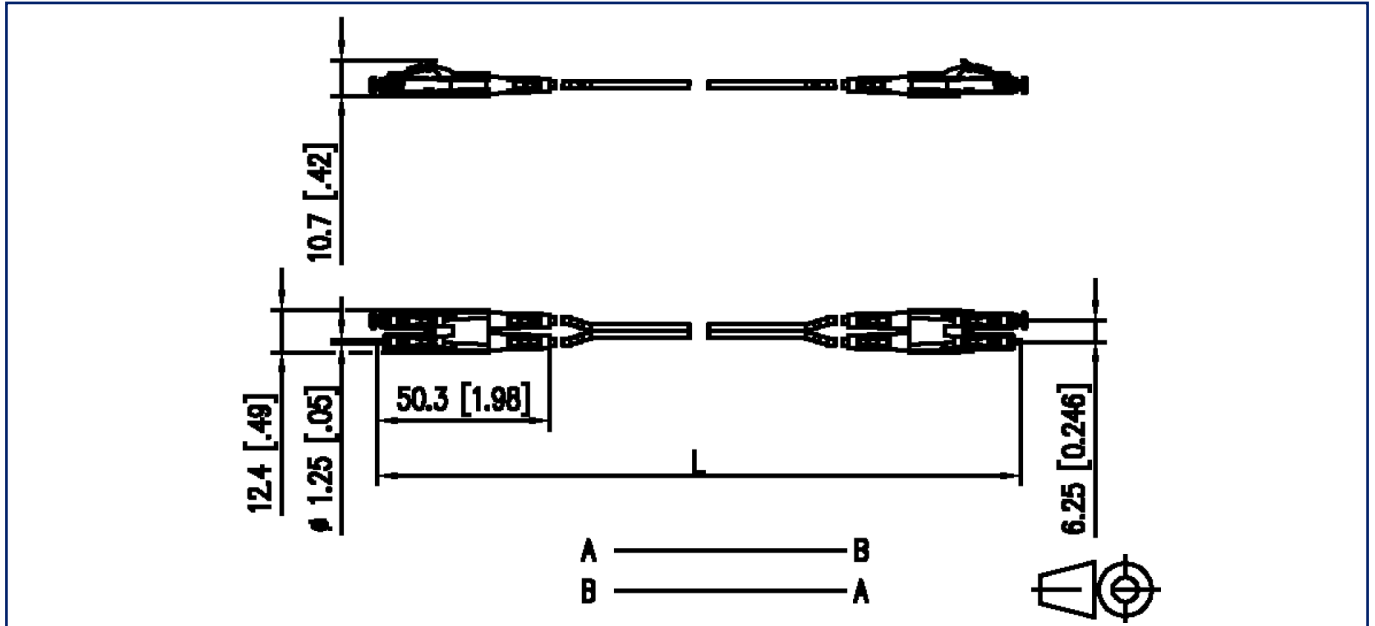
Page 5/5

151P1JOJAXXE OpDAT PK OS2 LC-D/LCDA XXm Dupl. 2x2,0mm gelb A>B/B>A
151P1JOJAXXE

2022/10/17

Illustrations

Dimensional drawing



© 2022 METZ CONNECT - Technische Änderungen vorbehalten! Subject to modifications! Sous réserve de modifications techniques!