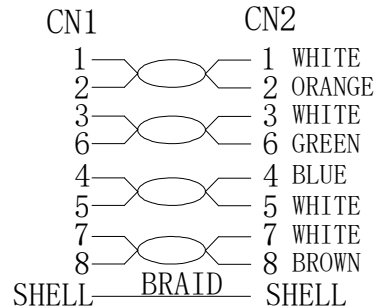


NOTE:

1. ELECTRICAL TEST:100% OPEN SHORT, MISS WIRE TEST
 2. FLUKE Channel LINK TEST:TEST LIMIT:ISO11801 Channel Class EA
 3. Working temperature:-40℃~+60℃
 4. Storage temperature:-40℃~+75℃
 5. Operation humidity:10%~85%
 6. Storage humidity:10%~85%
 7. RoHS2.0 AND REACH compliant
 8. Spray WORD:CAT6A S/FTP with 600MHz cat.7 raw cable 4x2x26AWG/7 TPE ISO11801 & EN50173 & ANSI/TIA568.2-D
 9. Halogen-free (IEC 60754-2)
 10. Low smoke (IEC 61034)
 11. Flame retardant (IEC 60332-1-2)
 12. UV resistant (IEC 50289-4-17)
- Attention: Not suitable for underground installation;
RJ-45 connections must be protected from the weather.

WIRING DIAGRAM



MATERIAL LIST

| ③ | OVER MOLD | 75A PVC | 2 | |
|-----|------------|--|-------|---------------|
| ② | CONNECTOR | RJ45 8P8C Shielded Plug, Pin Gold Plated 3u" Shell Nickel plating COLOUR: Transparence Yellow | 2 | |
| ① | CABLE | S/FTP CAT. 7 (26AWG BC*1P+AL-FOLL)*4PAIRS+BRAID(AL-MG) JACKET:TPE OD:6.0±0.2mm | 1 | |
| NO. | PARTS NAME | SPECIFICATION STANDARD | QT' Y | REMARK |
| | | Add new lengths | | 2023-10-17 A1 |
| | | NEW | | 2023-02-01 A |
| BY | CHK | REVISION RECORD MODIFICATION | DATE | REV. |

| Color:Black 3C | |
|----------------|-------------|
| ITEM NO. | LENGTH |
| 21. 15. 0748 | 150±20mm |
| 21. 15. 0749 | 300±20mm |
| 21. 15. 0750 | 500±20mm |
| 21. 15. 0751 | 1000±20mm |
| 21. 15. 0752 | 2000±30mm |
| 21. 15. 0753 | 3000±50mm |
| 21. 15. 0755 | 5000±100mm |
| 21. 15. 0757 | 7000±150mm |
| 21. 15. 0759 | 10000±300mm |

| | |
|---------------|---|
| DESC. | ROLINE Outdoor S/FTP PatchCord, Cat.6A/Class EA |
| SECOMP | |