

1

2

3

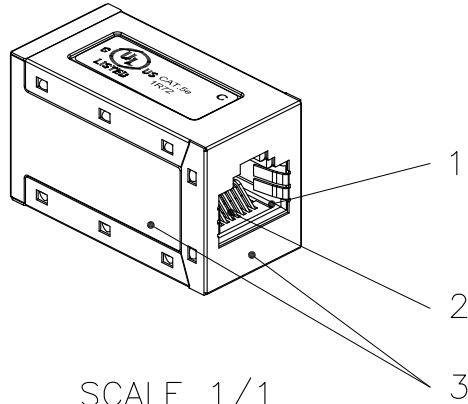
4

5

6

A

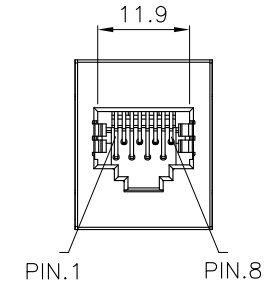
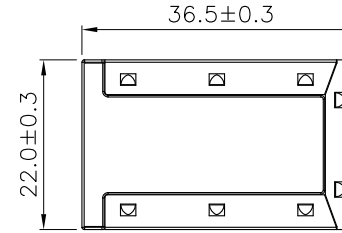
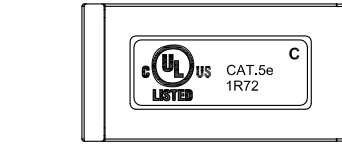
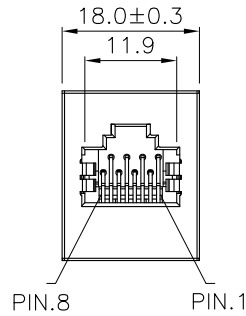
A



SCALE 1/1

B

B



C

C

Specification :

Material :

1. RJ45 Jack :
 - 1-1. Housing : ABS, UL 94V-0, with Black color.
 - 1-2. Contact Bracket : PC, UL 94V-2, Transparent color.
2. RJ45 Jack Contact :
 - 2-1. Material : Phosphor Bronze with Nickel plated.
 - 2-2. Finish : 50 micro-inch Gold plated on Plug contact area.
3. RJ45 Jack Shield : Bronze with Nickel Plated.
4. PCB : FR4, UL 94V-0.

Performance :

- a. Insertion force : 30N max. (IEC 60603-7-5).
- b. Retention strength : 7.7 kg between Jack and Plug.
- c. Operating temperature : -10°C to 60°C. (ISO/IEC 11801, ANSI/TIA-568.2-D:2018)
- d. Life(mating cycles) : 750 cycles min. (ISO/IEC 11801, IEC 60603-7-5)
- e. The Cat.5e channel transmission performance is in compliance with the ANSI/TIA-568.2-D:2018 standard.

D

D

GENERAL TOLERANCE OF DIMENSIONS X.XXX ±0.005 X.XX ±0.05 X.X ±0.1	DRAWING	21.OCT.2020	CHP	SECOMP				
	CHECK	21.OCT.2020	DAY					
	APPROVAL	21.OCT.2020	JAIMY					
		DATE	NAME					
	SCALE	1/1 (A4)	UNIT	mm	ITEM NO.: 21.17.3002			
	DRAWING NO. ROLINE Cat.5e Modular Coupler, shielded		DRAWING CLASSIFICATION		S	SHEET	1 OF 1	01

1

2

0

3

4

10cm

5

6