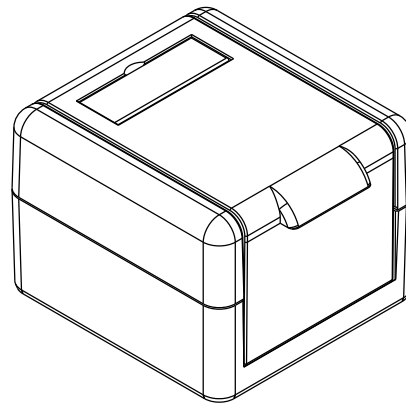
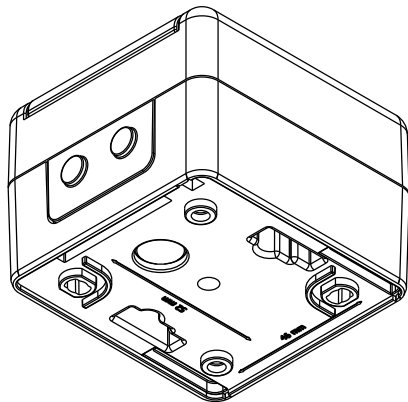
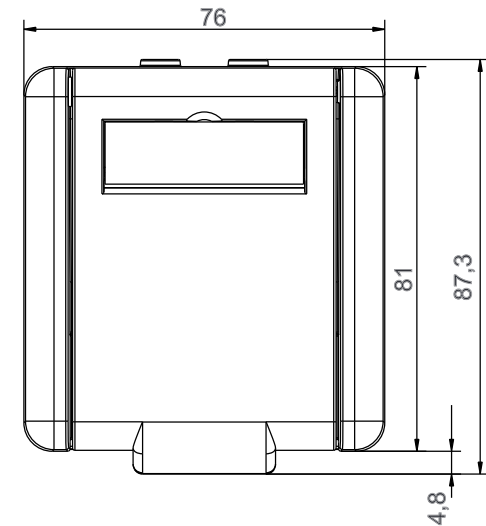
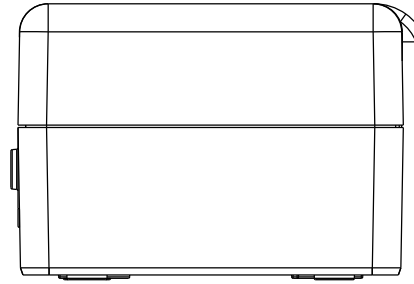
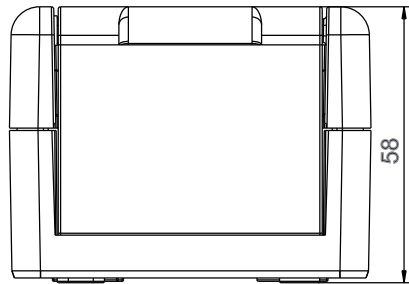


# Technical Datasheet

## EasyLan® Data Outlet IP44

Ordering code : CKVDAP92



**Material:** Plastic ASA

**Color:** Cover anthracite grey, RAL 7016  
Housing light gray, RAL 7035

				drawn	07.12.2017	LP	
				appr.	07.12.2017	MJ	
				Titel:			Dimensions: mm
				EasyLan® Data Outlet IP44			Original: DIN A4
				Drawing number:			Sheet 1 of 1
b	Änderung	25.01.2023	MW				
a	Neuerstellung	07.12.2017	LP				
Index	Revision code	Date	Name	ZN-CU171226			