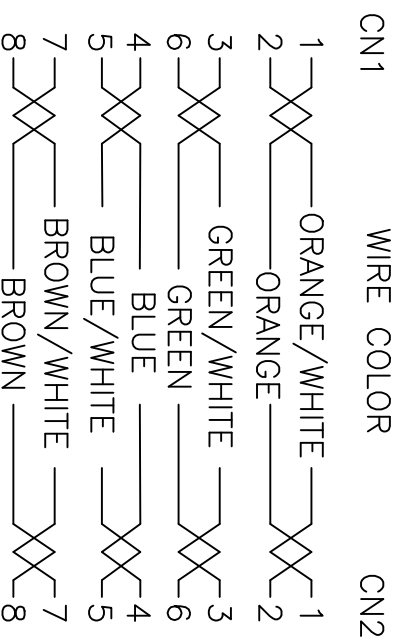


MATERIAL LIST:

NO.	PARTS NAME	SPECIFICATION DESCRIPTION
①	CABLE	UTP [24AWG(CCA 7*0.192±0.005mm)*(1PR)4+PE CROSS +LSOH OD:6.0±0.3mm COLOR: Grey
②	RJ45 CONNECTOR	RJ45.8P8C.TWO FORK GOLD PLATED CONTACTS
③	MOLDING PVC	MOLDING PVC 50P COLOR:Grey

Marking: UTP CAT6 NETWORKING CABLE LSOH 24AWG*4P ISO/IEC 11801
& EN 50288 & ANSI/TIA-568-C.2 IEC 60332-1 IEC 60332-3C

- 1)Jacket Color: Grey(RAL 7035)
- 2)Wiring: T568B
- 3)Bending radius: The minimum bending radius is 8 times of the cable diameter



Item No	Length(M)	Tolerance(mm)
21.99.0200	0.5	+20/-10
21.99.0201	1	+/-20
21.99.0250	1.5	+/-40
21.99.0202	2	+/-40
21.99.0203	3	+/-60
21.99.0205	5	+/-110
21.99.0207	7	+/-140
21.99.0210	10	+/-200

ELECTRONIC TEST:

A OPEN/SHORT/INTERMITTENCE: 100%.

ITEM NO.	21.99.0200/21.99.0201/21.99.0250/21.99.0202/21.99.0203
DESC	VALUE Cat. 6 UTP Patch Cord, Grey
REMARK:NO	CHA NO
DRAWN BY	WEIHAIRAN
APPROVED BY	MORGAN
DATE	2024.07.31

