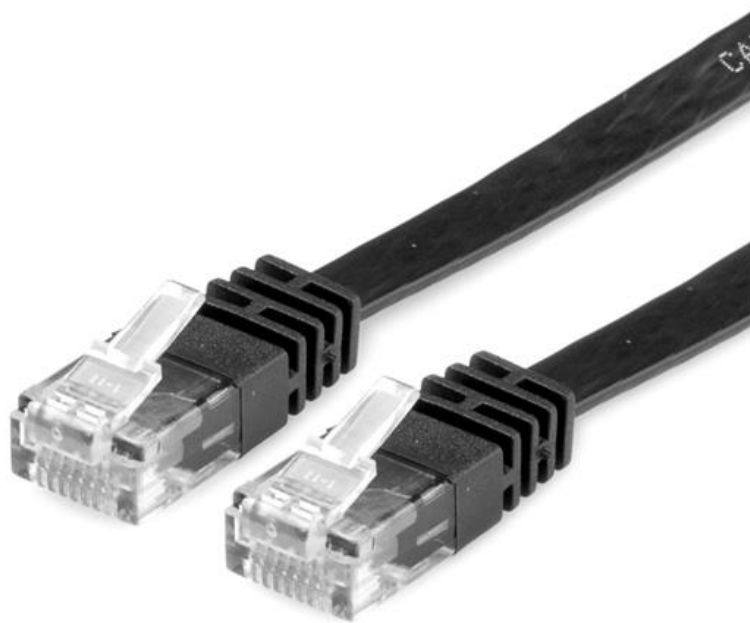




Datenblatt - Fiche technique - Data sheet

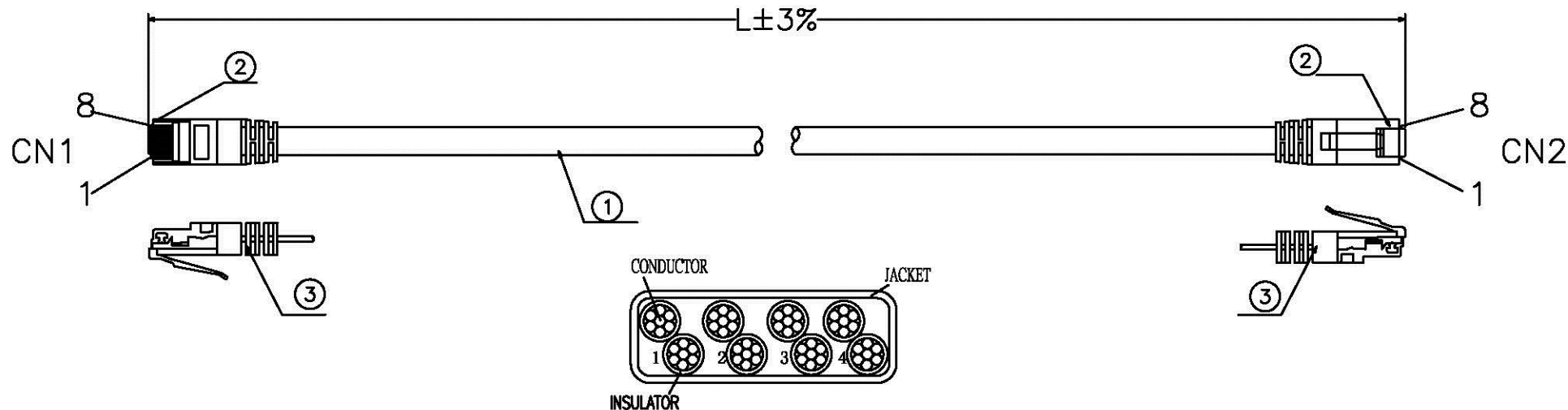
21.99.0962



VALUE UTP-Patchkabel konf. Kat. 6, schwarz, 2,0 m, extra-flach

Cordon VALUE Cat.6 UTP confectionné, noir, 2,0 m, plat

VALUE UTP Patch Cord, Cat.6, black, 2.0 m, extra-flat



MATERIAL LIST:

NO.	PARTS NAME	SPECIFICATION DESCRIPTION
①	CABLE	(7/0.10BA*1PR)*4P COLOR: BLACK OD:1.5±0.2*6.2±0.2mm
②	RJ45 CONNECTOR	RJ45,8P8C,GOLD PLATED CONTACTS
③	MOLDING PVC	MOLDING PVC 50P COLOR: BLACK

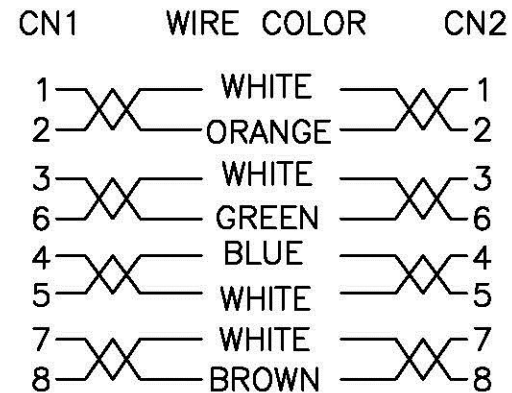
CABLE MARKING: CAT.6 UTP FLAT CABLE

ELECTRONIC TEST:

A.OPEN/SHORT/INTERMITTENCE: 100%.

item no.	length	color
21.99.0960	0.5m	black
21.99.0961	1m	black
21.99.0962	2m	black
21.99.0963	3m	black
21.99.0965	5m	black

PIN OUT



ITEM NO.	21.99.0960,, 21.99.0961, 21.99.0962, 21.99.0963, 21.99.0965				
DESC.	VALUE Cat. 6 UTP Flat Patch Cord, black				
APPROVED BY					
DATE	2012.03.20	PAGE			OF

rotronic