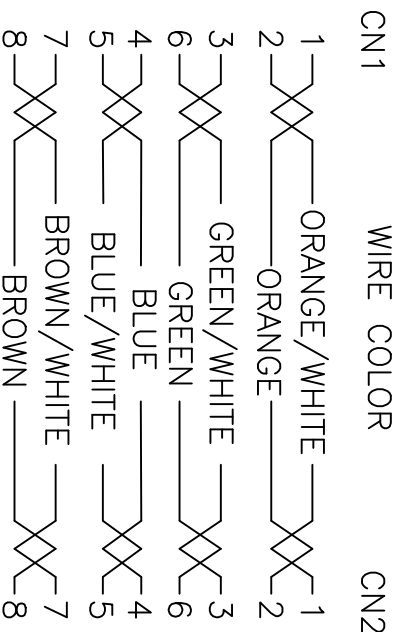


MATERIAL LIST:

| NO. | PARTS NAME | SPECIFICATION DESCRIPTION |
|-----|----------------|---|
| ① | CABLE | UTP [24AWG(CCA 7*0.192±0.005mm)*(1PR)*4+PE CROSS +LSOH OD:6.0±0.3mm COLOR: Red |
| ② | RJ45 CONNECTOR | RJ45,8P8C, TWO FORK GOLD PLATED CONTACTS |
| ③ | MOLDING PVC | MOLDING PVC 50P COLOR:Red |

Marking: UTP CAT6 NETWORKING CABLE LSOH 24AWG*4P ISO/IEC 11801
& EN 50288 & ANSI/TIA-568-C.2 IEC 60332-1 IEC 60332-3C

- 1)Jacket Color:Red(RAL 3028)
- 2)Wiring:T568B
- 3)Bending radius:The minimum bending radius is 8 times of the cable diameter



| Item No | Length(M) | Tolerance(mm) |
|------------|-----------|---------------|
| 21.99.1021 | 0.5 | +20/-10 |
| 21.99.1031 | 1 | +/-20 |
| 21.99.0251 | 1.5 | +/-40 |
| 21.99.1041 | 2 | +/-40 |
| 21.99.1051 | 3 | +/-60 |
| 21.99.1061 | 5 | +/-110 |
| 21.99.1071 | 7 | +/-140 |
| 21.99.1081 | 10 | +/-200 |

ELECTRONIC TEST:

A.OPEN/SHORT/INTERMITTENCE: 100%.

| | |
|-------------|--|
| ITEM NO. | 21.99.1021/21.99.1031/21.99.0251/21.99.1041/21.99.1051 |
| DESC | VALUE Cat. 6 UTP Patch Cord,Red |
| REMARK:NO | CHA NO |
| DRAWN BY | WEIHAIVAN |
| APPROVED BY | MORGAN |
| DATE | 2024.07.31 |

SECOMP