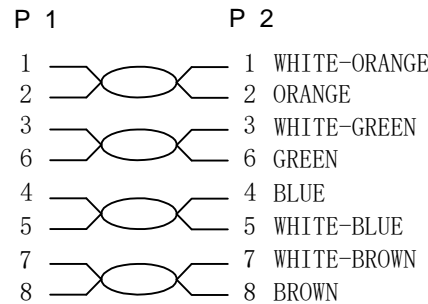


NOTE:

1. 100% OPEN SHORT, MISS WIRE TEST
2. FLUKE CHANNEL TEST
TEST LIMIT:ISO11801 Channel Class E
3. PRINT BLACK WORD:
CAT6 U/UTP 4x2x24AWG/7 PVC ISO11801 & EN50173 & ANSI/TIA568C. 2
4. Reach and ROHS2.0 COMPLIANT

WIRING DIAGRAM



MATERIAL LIST

⑥	LABEL	NO DRY GLUE LABEL	1	
⑤	MINI TIE	PE MINI TIE(POSSESS METAL)	2	
④	BAG	PE BAG	1	
③	OVER MOLD	PVC COLOR:black 3C	2	
②	CONNECTOR	RJ45 8P8C UNSHIELDED, PIN GOLD PLATED 3u"	2	
①	CABLE	UTP CAT. 6 24AWG (CCA)*4PAIRS+SKIN JACKET:PVC/black 3C, OD:5.9±0.2mm	1	

COLOUR: BLACK (PANTONE: BLACK)

ITEM NO.	LENGTH	TOLERANCE (T)
21.99.1525	0.5M	±15mm
21.99.1535	1M	±30mm
21.99.0955	1.5M	±40mm
21.99.1545	2M	±45mm
21.99.1555	3M	±60mm
21.99.1565	5M	±90mm
21.99.1575	7M	±150mm
21.99.1585	10M	±210mm

ITEM NO.	21.99.1525	21.99.1535	21.99.0955	21.99.1545	21.99.1555
	21.99.1565	21.99.1575	21.99.1585		
DESC.	VALUE U/UTP PatchCord CAT. 6, PVC, Comp. Lev., black				

NO.	PARTS NAME	SPECIFICATION STANDARD	QT' Y	REMARK
		NEW		2018-03-21 A
BY	CHK	REVISION RECORD MODIFICATION	DATE	REV.

SECOMP