



**Datenblatt - Fiche technique - Data sheet**  
**25.99.8202**

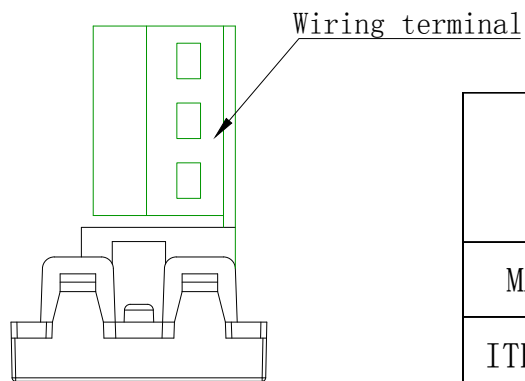
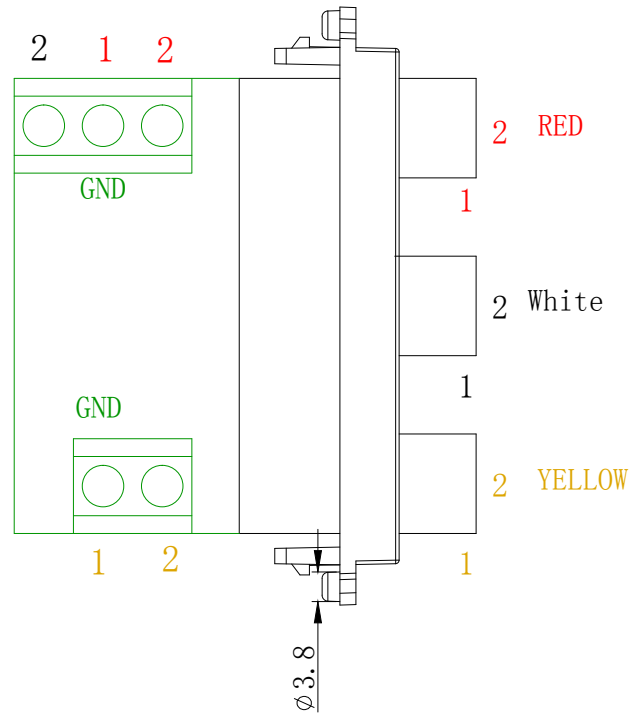
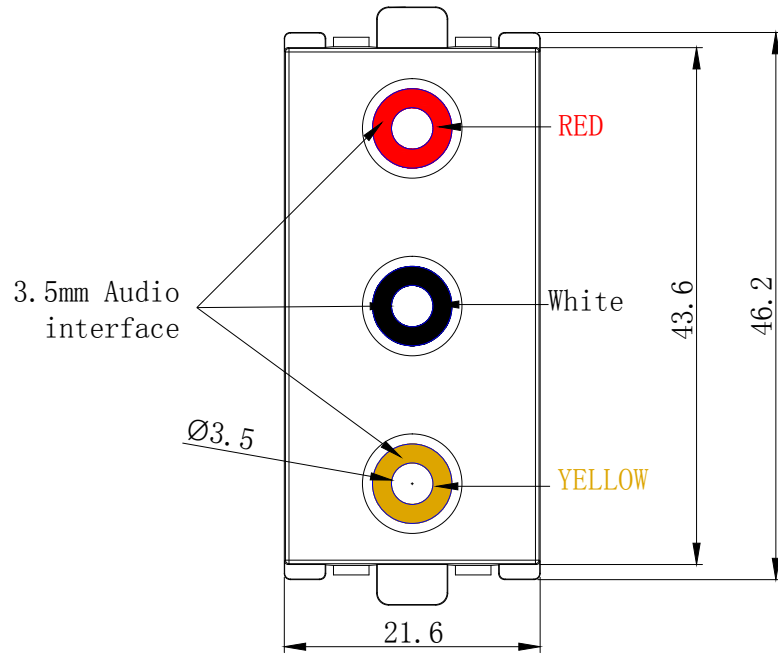


**VALUE A/V-Anschluss-System, A/V-Modul (2xAudio, 1x Video)**

**VALUE Module A/V (2xAudio, 1x Video)**

**VALUE A/V Module (2xAudio, 1x Video)**

FILE AMEND NOTE	DATE	REV.
ORIGINAL EDITION	2015/07/29	A/0



# SECOMP

MATERIAL	PC	TOLERANCE	
ITEM No.	25.99.8202	X.	±1.00
		X.X	±0.50
VALUE A/V Module (2xAudio, 1x Video)		SCALE	MM
		PAGE	1/1

