

Data sheet

Surface mount frame 85 x 85 mm - Single, pure white

Page 1/6

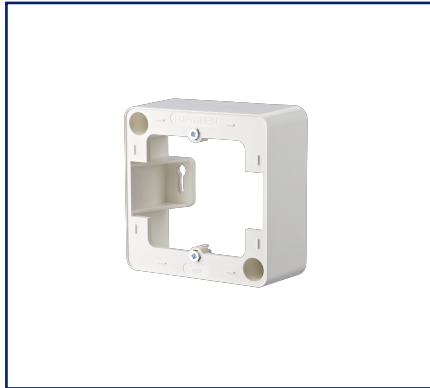
P/N
130829-02-I

EAN 4250184103684

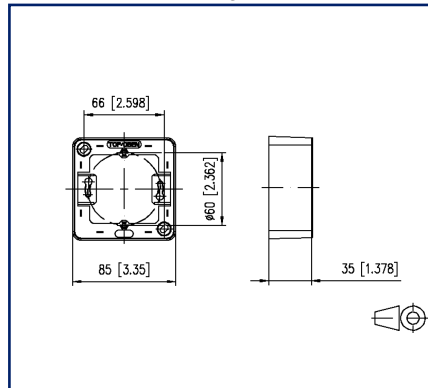
2023/03/30

Version: L

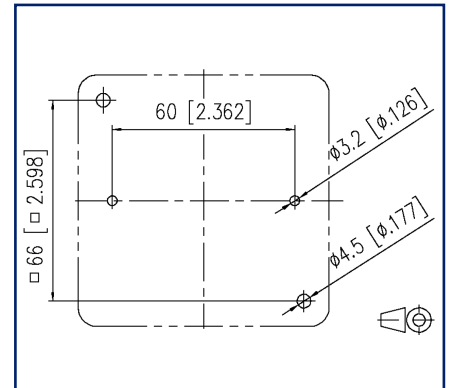
Illustrations



Dimensional drawing



Drill pattern



See enlarged drawings at the end of document

Product specification

- extension of flush-mounted wall outlets to surface-mounted wall outlets
- dimensions (LxWxH) 85 x 85 x 35 mm
- additional fastening in 60 mm hole distance on flush-mounted cups
- glossy surface
- traffic white (RAL 9016), pure white (RAL 9010) or pearl white (RAL 1013)
- variants: traffic white, pure white, pearl white



P | Cabling

Data sheet

Page 2/6

Surface mount frame 85 x 85 mm - Single, pure white

P/N

130829-02-I

EAN 4250184103684

2023/03/30

Version: L

Technical Data

General Data

Mechanical measurement according to MICE	M1
Ingress measurement according to MICE	I1
Climatic measurement according to MICE	C1
Electromagnetic measurement according to MICE	E1
Design	frame
Mounting style	Flush-mounted to wall mounted
Color	Pure white RAL 9010
Dimensions	
Dimension (L x W x H)	35 mm x 85 mm x 85 mm
Dimension (L x W x H)	1.378 in. x 3.346 in. x 3.346 in.

Materials and material properties

Material	ABS
Halogen free	yes
RoHS	compliant

Classifications

ETIM 5.0	EC001264
ETIM 6.0	EC001264
ETIM 7.0	EC000080
ETIM 8.0	EC000080
ETIM 9.0	EC000080

Packing details

Type of packaging	10 pc(s) / box
Packaging unit - Weight (gram)	625 g
Packaging unit - Weight (pound)	1.38 lb
Packaging dimension	283 mm x 180 mm x 85 mm
Packaging dimension	11.142 in. x 7.087 in. x 3.346 in.

P | Cabling

Data sheet

Page 3/6

Surface mount frame 85 x 85 mm - Single, pure white

P/N

130829-02-I

EAN 4250184103684

2023/03/30

Version: L

Accessories from

P/N	Designation
130039120-I	IAE design 8(4)R UP0 miniature terminal block
130040112-I	IAE design 2x8(4)R UPk miniature terminal block pure white
130040120-I	IAE design 2x8(4)R UP0 miniature terminal block
130060102-I	UAE design 8(8) UP miniature terminal block pure white
130060112-I	UAE design 8(8) UPk miniature terminal block pure white
130060120-I	UAE design 8(8) UP0 miniature terminal block
130061102-I	UAE design 8/8(8) UP miniature terminal block pure white
130061112-I	UAE design 8/8(8) UPk miniature terminal block pure white
130061120-I	UAE design 8/8(8) UP0 miniature terminal block
130062102-I	UAE design 2x8(8) UP miniature terminal block pure white
130062112-I	UAE design 2x8(8) UPk miniature terminal block pure white
130062120-I	UAE design 2x8(8) UP0 miniature terminal block
130063102-I	UAE design 8(4) UP miniature terminal block pure white
130063112-I	UAE design 8(4) UPk miniature terminal block pure white
130063120-I	UAE design 8(4) UP0 miniature terminal block
130064102-I	UAE design 8/8(4) UP miniature terminal block pure white
130064112-I	UAE design 8/8(4) UPk miniature terminal block pure white
130064120-I	UAE design 8/8(4) UP0 miniature terminal block
130065102-I	UAE design 2x8(4) UP miniature terminal block pure white
130065112-I	UAE design 2x8(4) UPk miniature terminal block pure white
130065120-I	UAE design 2x8(4) UP0 miniature terminal block
1307370002-I	E-DAT C6 1 port AP pure white
1307371002-I	E-DAT C6 1 port UP pure white
1307371102-I	E-DAT C6 1 port UPk pure white
1307371200-I	E-DAT C6 1 port UP0
1307380002-I	E-DAT C6 2 port AP pure white
1307381002-I	E-DAT C6 2 port UP pure white
1307381102-I	E-DAT C6 2 port UPk pure white
1307381200-I	E-DAT C6 2 port UP0
1307441002-I	E-DAT design 2 port UP Cat.6, pure white
1307441102-I	E-DAT design 2 port UPk Cat.6, pure white
1307441200-I	E-DAT design 2 port UP0 Cat.6

P | Cabling

Data sheet

Page 4/6

Surface mount frame 85 x 85 mm - Single, pure white

P/N

130829-02-I

EAN 4250184103684

2023/03/30

Version: L

Accessories from

1307444002-I	E-DAT design 2 port EK Cat.6, pure white
1309110002-E	E-DAT modul 1 port AP Cat.6 _A , pure white
1309111002-E	E-DAT modul 1 port UP Cat.6 _A , pure white
1309111102-E	E-DAT modul 1 port UPk Cat.6 _A , pure white
1309111200-E	E-DAT modul 1 port UP0 Cat.6 _A
1309121002-E	E-DAT modul 2 port UP Cat.6 _A , pure white
1309121102-E	E-DAT modul 2 port UPk Cat.6 _A , pure white
1309121200-E	E-DAT modul 2 port UP0 Cat.6 _A
1309131002-E	E-DAT modul 3 port UP Cat.6 _A , pure white
1309131102-E	E-DAT modul 3 port UPk Cat.6 _A , pure white
1309131200-E	E-DAT modul 3 port UP0 Cat.6 _A
1309140002-E	Modul wall outlet AP 1 port pure white unequipped
1309141002-E	Modul wall outlet UP 1 port pure white unequipped
1309141102-E	Modul wall outlet UPk 1 port pure white unequipped
1309141200-E	Modul wall outlet UP0 3 port unequipped
1309150002-E	Modul wall outlet AP 2 port pure white unequipped
1309151002-E	Modul wall outlet UP 2 port pure white unequipped
1309151102-E	Modul wall outlet UPk 2 port pure white unequipped
1309151200-E	Modul wall outlet UP0 2 port unequipped
1309160002-E	Modul wall outlet AP 3 port pure white unequipped
1309161002-E	Modul wall outlet UP 3 port pure white unequipped
1309161102-E	Modul wall outlet UPk 3 port pure white unequipped
130B20D11002KE	Keystone wall outlet UP 1 port pure white unequipped
130B20D11102KE	Keystone wall outlet UPk 1 port pure white unequipped
130B20D11200KE	Keystone wall outlet UP0 1 port unequipped
130B20D21002KE	Keystone wall outlet UP 2 port pure white unequipped
130B20D21102KE	Keystone wall outlet UPk 2 port pure white unequipped
130B20D21200KE	Keystone wall outlet UP0 2 port unequipped
130B20D31002KE	Keystone wall outlet UP 3 port pure white unequipped
130B20D31102KE	Keystone wall outlet UPk 3 port pure white unequipped
130B20D31200KE	Keystone wall outlet UP0 3 port unequipped
130C370002-I	E-DAT C6 _A 1 port AP pure white
130C371002-I	E-DAT C6 _A 1 port UP pure white

P | Cabling

Data sheet

Page 5/6

Surface mount frame 85 x 85 mm - Single, pure white

P/N

130829-02-I

EAN 4250184103684

2023/03/30

Version: L

Accessories from

130C371102-I	E-DAT C6 _A 1 port UPk pure white
130C371200-I	E-DAT C6 _A 1 port UP0
130C380002-I	E-DAT C6 _A 2 port AP pure white
130C381002-I	E-DAT C6 _A 2 port UP pure white
130C381102-I	E-DAT C6 _A 2 Port UPk pure white
130C381200-I	E-DAT C6 _A 2 port UP0

P | Cabling

Data sheet

Page 6/6

Surface mount frame 85 x 85 mm - Single, pure white

P/N

130829-02-I

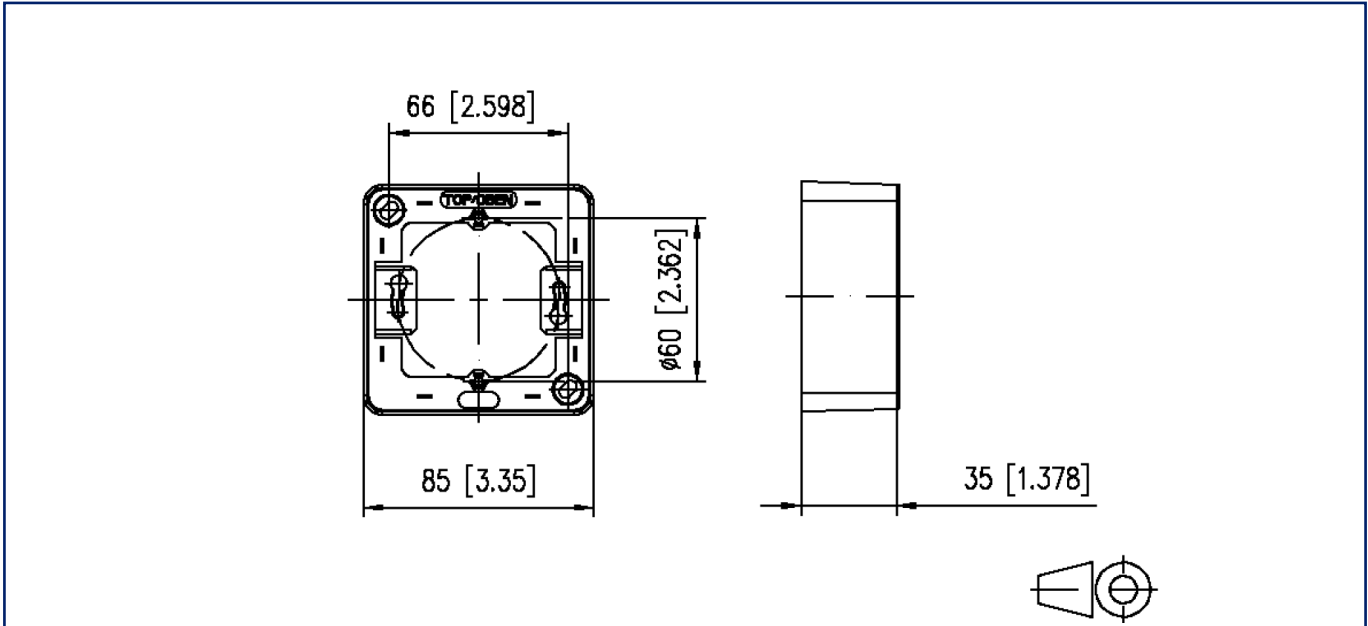
EAN 4250184103684

2023/03/30

Version: L

Illustrations

Dimensional drawing



Drill pattern

