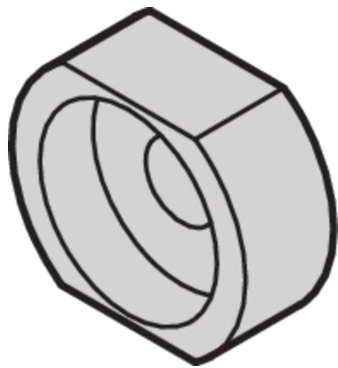
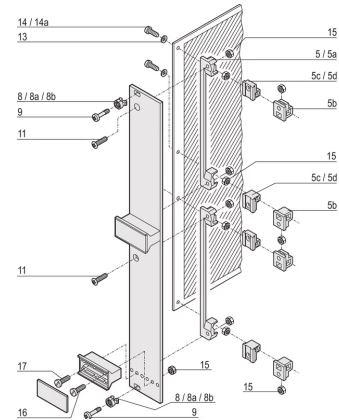
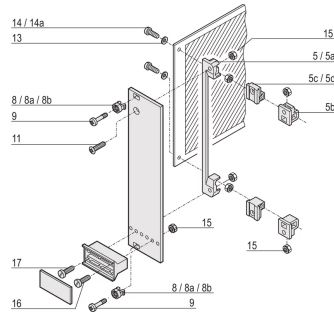


21100-662 SLEEVES FOR M2.5, STAINLESS STEEL; 100 PIECES



**KEY FEATURES**

Sleeve guides the collar screw when fastening the front panel

Sleeve is inserted into the elongated hole of the front panel

**PRODUCT ATTRIBUTES**

Product Type: Sleeve

Works With: Front Panels

Package Quantity: 100

Depth: 4.4 mm

Height: 6 mm

Material: Stainless Steel

Width: 8 mm

## ADDITIONAL PRODUCT DETAILS

---

Sleeve guides the collar screw when fastening the front panel.

Metal sleeves on the partial front panels must be pressed in.

All sleeves can be used for front panel > 2 HP.

## CERTIFICATIONS

---



### North America

All locations  
+1.763.422.2661  
Chat with us:  
[schroff.nvent.com](https://schroff.nvent.com)

### Europe

Straubenhardt, Germany  
+49.7082.794.0  
Betschdorf, France  
+33.3.88.90.64.90  
Warsaw, Poland  
+48.22.209.98.35  
Assago, Italy  
+39.02.932.7141  
Chat with us:  
[schroff.nvent.com](https://schroff.nvent.com)

### Asia

Shanghai, China  
+86.21.2412.6943  
Qingdao, China  
+86.532.8771.6101  
Singapore  
+65.6768.5800  
Shin-Yokohama, Japan  
+81.45.476.0271  
Chat with us:  
[schroff.nvent.com](https://schroff.nvent.com)

### Middle East & India

Dubai, United Arab Emirates  
+971.4.378.1700  
Bangalore, India  
+91.80.6715.2001  
Istanbul, Turkey  
+90.216.250.7374  
Chat with us:  
[schroff.nvent.com](https://schroff.nvent.com)



Our powerful portfolio of brands:  
[nVent.com](https://nVent.com) **CADDY ERICO HOFFMAN RAYCHEM SCHROFF TRACER**

© 2023 nVent. All nVent marks and logos are owned or licensed by nVent Services GmbH or its affiliates. All other trademarks are the property of their respective owners.

nVent reserves the right to change specifications without notice.