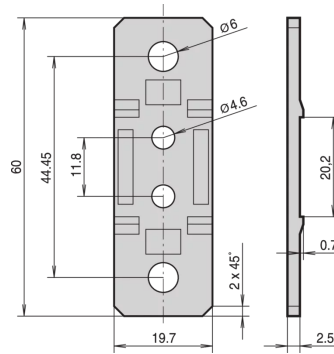
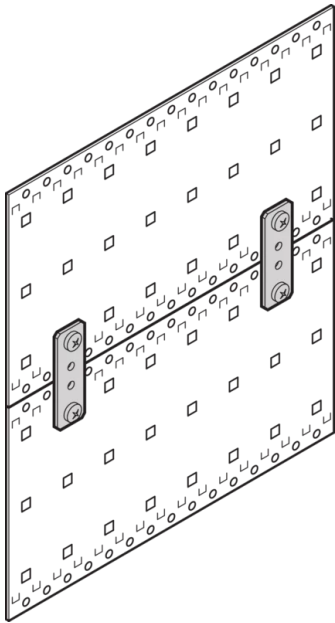


21101-954 CONNECTING BRACKET, EUROPACPRO



KEY FEATURES

For joining two subracks EuropacPRO with sidepanels type F, type H and type L

For joining a subrack EuropacPRO and a pusher fan unit

PRODUCT ATTRIBUTES

Product Type: Bracket

Product Family: EuropacPRO

Type: Connecting Bracket

Works With: Subracks

Rack Height: 1 U

Package Quantity: 4

ADDITIONAL PRODUCT DETAILS

The brackets are used to connect the fan units to the side panels of a subrack.

Sufficient for the connection of two subracks.

CERTIFICATIONS



North America

All locations
+1.763.422.2661
Chat with us:
schroff.nvent.com

Europe

Straubenhardt, Germany
+49.7082.794.0
Betschdorf, France
+33.3.88.90.64.90
Warsaw, Poland
+48.22.209.98.35
Assago, Italy
+39.02.932.7141
Chat with us:
schroff.nvent.com

Asia

Shanghai, China
+86.21.2412.6943
Qingdao, China
+86.532.8771.6101
Singapore
+65.6768.5800
Shin-Yokohama, Japan
+81.45.476.0271
Chat with us:
schroff.nvent.com

Middle East & India

Dubai, United Arab Emirates
+971.4.378.1700
Bangalore, India
+91.80.6715.2001
Istanbul, Turkey
+90.216.250.7374
Chat with us:
schroff.nvent.com



Our powerful portfolio of brands:
nVent.com **CADDY ERICO HOFFMAN RAYCHEM SCHROFF TRACER**

© 2023 nVent. All nVent marks and logos are owned or licensed by nVent Services GmbH or its affiliates. All other trademarks are the property of their respective owners.

nVent reserves the right to change specifications without notice.