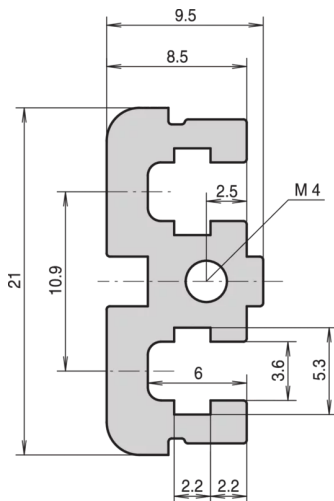
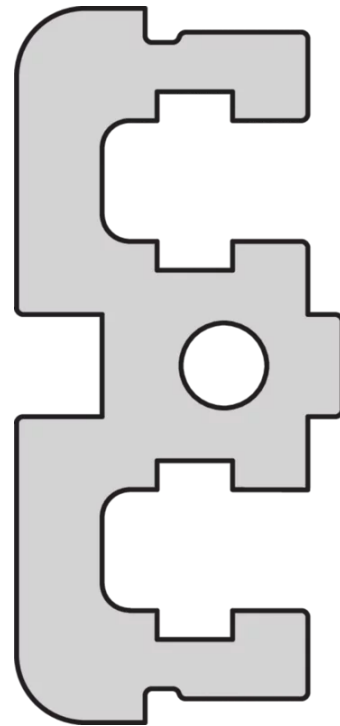
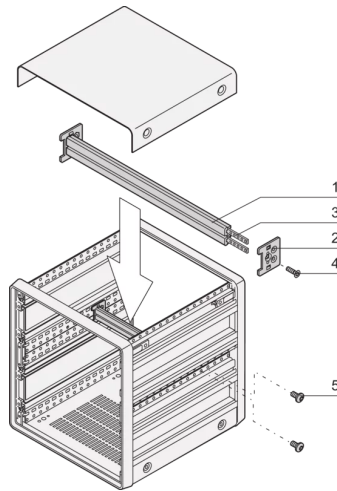


24575-454 HORIZONTAL RAIL, CENTER, TYPE ST-C, 63 HP



**KEY FEATURES**

For 6-U CompacPRO case

For indirect backplane mounting (with insulation strip)

Aluminum extrusion, anodized finish, conductive contact surface, with HP markings

## PRODUCT ATTRIBUTES

---

Product Type: Horizontal Rail

Product Family: CompacPRO

Type: Type ST-C

Rack Width: 63 HP

Length: 325.12 mm

Package Quantity: 1

## ADDITIONAL PRODUCT DETAILS

---

The assembly kit includes a center rail and 2 adapters plus assembly material. The kit enables use in a 6 U CompacPRO, and splits the case into 2 x 3 U sections.

## CERTIFICATIONS

---



### North America

All locations

+1.763.422.2661

Chat with us:

[schroff.nvent.com](https://schroff.nvent.com)

### Europe

Straubenhardt, Germany

+49.7082.794.0

Betschdorf, France

+33.3.88.90.64.90

Warsaw, Poland

+48.22.209.98.35

Assago, Italy

+39.02.932.7141

Chat with us:

[schroff.nvent.com](https://schroff.nvent.com)

### Asia

Shanghai, China

+86.21.2412.6943

Qingdao, China

+86.532.8771.6101

Singapore

+65.6768.5800

Shin-Yokohama, Japan

+81.45.476.0271

Chat with us:

[schroff.nvent.com](https://schroff.nvent.com)

### Middle East & India

Dubai, United Arab Emirates

+971.4.378.1700

Bangalore, India

+91.80.6715.2001

Istanbul, Turkey

+90.216.250.7374

Chat with us:

[schroff.nvent.com](https://schroff.nvent.com)



Our powerful portfolio of brands:  
[nVent.com](https://nVent.com) **CADDY ERICO HOFFMAN RAYCHEM SCHROFF TRACER**

© 2023 nVent. All nVent marks and logos are owned or licensed by nVent Services GmbH or its affiliates. All other trademarks are the property of their respective owners.

nVent reserves the right to change specifications without notice.