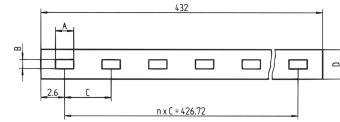
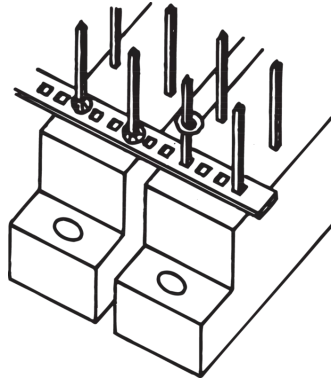
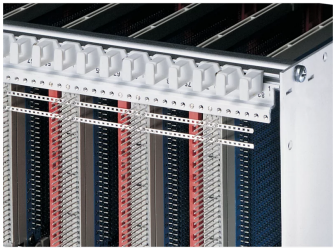


60800-064 SOLDER STRIP CONDUCTOR, 0.6 X 0.6 MM



KEY FEATURES

Efficient linking of connections in the same grid and with the same potential

Also suitable for EN 60603 (DIN 41612) connectors with wire-wrap pin

PRODUCT ATTRIBUTES

Product Type: Busbar

Works With: Front Panels

ADDITIONAL PRODUCT DETAILS

Efficient linking of connections in the same grid and with the same potential. Can be used for connectors in accordance with EN 60603-2 (DIN 41612).

CERTIFICATIONS



North America

All locations

+1.763.422.2661

Chat with us:

schroff.nvent.com

Europe

Straubenhardt, Germany

+49.7082.794.0

Betschdorf, France

+33.3.88.90.64.90

Warsaw, Poland

+48.22.209.98.35

Assago, Italy

+39.02.932.7141

Chat with us:

schroff.nvent.com

Asia

Shanghai, China

+86.21.2412.6943

Qingdao, China

+86.532.8771.6101

Singapore

+65.6768.5800

Shin-Yokohama, Japan

+81.45.476.0271

Chat with us:

schroff.nvent.com

Middle East & India

Dubai, United Arab Emirates

+971.4.378.1700

Bangalore, India

+91.80.6715.2001

Istanbul, Turkey

+90.216.250.7374

Chat with us:

schroff.nvent.com



Our powerful portfolio of brands:
nVent.com **CADDY ERICO HOFFMAN RAYCHEM SCHROFF TRACER**

© 2023 nVent. All nVent marks and logos are owned or licensed by nVent Services GmbH or its affiliates. All other trademarks are the property of their respective owners.

nVent reserves the right to change specifications without notice.