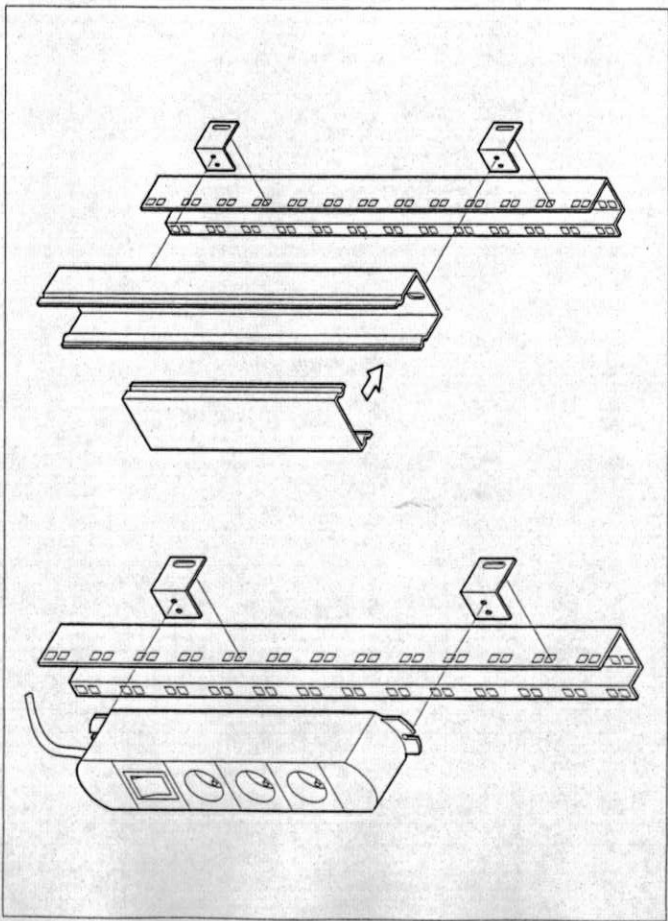


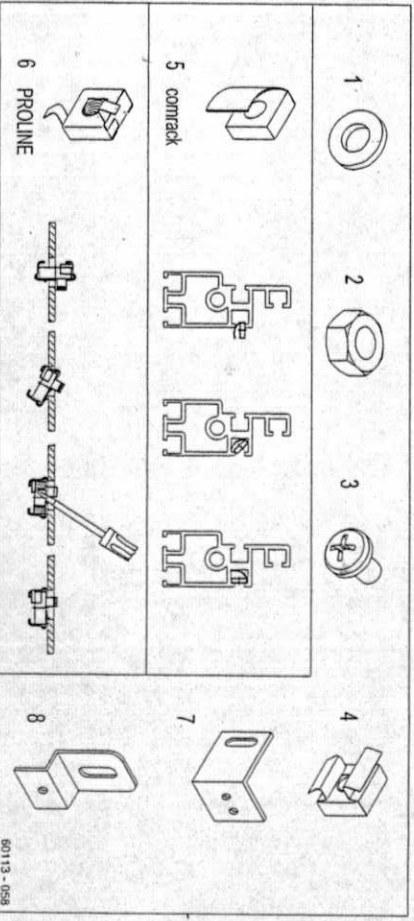
- A Austria**  
 Volturn Christian Droll KG  
 Fuchsb. 4, A-6532 Siedlbrunnberg  
 Tel.: +43 (0)5522 494 20  
 Fax: +43 (0)5522 421 41  
 info@volturn.com  
 www.volturn.com
- AUS Australia**  
 Meyer Krieg & Co.  
 50 Mary Street, Unley  
 5061 Adelaide  
 Tel.: +61 (0)8 8291 32 22  
 Fax: +61 (0)8 8291 32 00  
 info@meyerkrieg.com.au
- B Belgium**  
 Gerbec Industriële Multitechniek nv  
 Bovensteenseweg 530A  
 1800 Wilrijk  
 Tel.: +32 (0)3 257 02 50  
 Fax: +32 (0)3 252 49 59  
 info@gerbec.be
- CAN Canada**  
 Schroff Inc.  
 111 Gairingway Ave., Suite 504  
 Scarborough, Ontario M1H 3E9  
 Tel.: +1 (416) 289 27 70  
 Fax: +1 (416) 289 28 83
- CH Switzerland**  
 Hrotoran AG  
 Gundlachstr. 6, 8003 Bussardstr.  
 Tel.: +41 (0)1 838 12 12  
 Fax: +41 (0)1 837 00 74  
 info@hrotoran.ch
- CN China**  
 Shanghai Alpha Electronic Company Ltd.  
 154, Kele Road Chang Ning Ave., Shanghai  
 Tel.: +86 21 8218 1122  
 Fax: +86 21 8238 3952  
 shanghai@alpha.com.cn
- CZ Czech Republic**  
 ZTC electronic  
 P.O. Box 34, 14300 Praha 415  
 Tel.: +420 (0)2 67 91 00 82  
 Fax: +420 (0)2 67 91 06 41  
 ztc@ztc.cz
- D Germany**  
 Schroff GmbH  
 Langenauer Str. 96-100  
 75334 Straubenhardt  
 Tel.: +49 (0)7092 794 0  
 Fax: +49 (0)7092 794 200  
 info@schroff.de  
 www.schroff.de
- DK Denmark**  
 Skand Telecom AS  
 Sørensenkæder 11, DK-2840 Hillerød  
 Tel.: +45 (0)45 465 800  
 Fax: +45 (0)45 465 801  
 w@skand@w@skand.dk
- E Spain**  
 Cemasia  
 Ullises, 104, E-28043 Madrid  
 Tel.: (+34) 91 721 60 10  
 Fax: (+34) 91 300 08 79  
 sism@emasia.com  
 es
- EST Estonia**  
 AS Scandinavia  
 Laal 12, 10621 Tallinn  
 Tel.: +372 002 658 27 33  
 Fax: +372 002 709 000  
 info@scandi.ee  
 scandia@scandi.ee
- F France**  
 Schroff SA  
 Z.I. 1, rue du Marais  
 67600 Birschbrunn  
 Tel.: +33 (0)3 88 90 64 90  
 Fax: +33 (0)3 88 90 64 88  
 www.schroff.fr
- FIN Finland**  
 Schroff Scandinavia AB  
 Peltamäentie 8, 03100 Humana  
 Tel.: +358 (0)9 222 88 00  
 Fax: +358 (0)9 222 38 86  
 info\_fi@schroff.de
- H Hungary**  
 MB Electronic Kft.  
 Kaszásbútor u. 2., 1033 Budapest  
 Tel.: +36 (0)1 387 74 55  
 Fax: +36 (0)1 453 08 26  
 info@mb-electronic.hu
- HK Hong Kong**  
 Alpha Electronic Co. Ltd.  
 Bk. C&D, 10/F, Elker Ind. Bldg.,  
 21 Malabar Rd.  
 Kowloon, Hong Kong  
 Tel.: +852 2334 27 88  
 Fax: +852 2303 00 23  
 hkw@alpha.com.hk
- HR Croatia**  
 Chromos Plus D. O. O.  
 Medvegradska 35, 10000 Zagreb  
 Tel.: +385 (0)1 466 70 59  
 Fax: +385 (0)1 466 69 77  
 chromos@ztl.hr
- I Italy**  
 Schroff srl  
 Viale Milano, 119  
 21013 Gallarate (Varese)  
 Tel.: +39 (0331) 794 003  
 Fax: +39 (0331) 793 450  
 schroff@i.it
- IL Israel**  
 Ram Nil Electronic Park, & Services  
 4th, Ben-David St., 74020 Nes Ziona  
 Tel.: +972 (0)8 940 56 19  
 Fax: +972 (0)8 940 12 86  
 ramnildevelopment@ramnildevelopment.com
- IR, Ireland**  
 New England Technical Sales Ltd.  
 The Diamond Malahide, Co.  
 Dublin  
 Tel.: +353 (0)1 845 66 35  
 Fax: +353 (0)1 845 56 25
- J Japan**  
 Schroff K. K.  
 Nesso Bldg. 13 Bldg. 4F  
 2-5-5, Shinjyokohama, Kohoku-ku,  
 Yokohama-shi  
 Kanagawa 222-0033  
 Tel.: +81 (0)45 476 02 81  
 Fax: +81 (0)45 476 02 89
- LT Lithuania**  
 UAB Ajuna  
 Gaidinimo 47, 3000 Kaunas  
 Tel.: +370 (0)7 202 410  
 Fax: +370 (0)7 207 414  
 ajuna@kaunas.sgnai.lt
- SOMI Ltd.**  
 31 Amakaba st., 2055 Vilnius  
 Tel.: +370 (0)2 709 000  
 Fax: +370 (0)2 709 066  
 info@somil.lt  
 www.somil.lt
- N Norway**  
 Schroff Scandinavia AB  
 Björnsrudsvägen 24  
 N-1206 Oslo  
 Tel.: +47 (0)22 783 3600  
 Fax: +47 (0)22 783 3693  
 info\_nor@schroff.de
- NL The Netherlands**  
 Geionics Industrial Automation BV  
 Dorneweg 10  
 NL-1043 AJ Amsterdam  
 Tel.: +31 (0)20 586 16 05  
 Fax: +31 (0)20 586 19 85  
 info\_gie@geionics.com
- NZ New Zealand**  
 Meyer Krieg New Zealand Limited  
 34 C, Hoddle Avenue, Manukau City  
 Auckland  
 Tel.: +64 (0)9 562 24 61  
 Fax: +64 (0)9 562 24 74  
 info@mekykrig.co.nz
- P Portugal**  
 Aresel - Componentes e Equipamentos Eletronicos, S.A.  
 P.º da Fátima, 1400-136 Lisboa  
 Tel.: +351 (0)21 303 08 50  
 Fax: +351 (0)21 301 82 21  
 aresel@nml.telepac.pt
- PL Poland**  
 Schroff GmbH / Sp. z o.o. / - oddział w Polsce  
 Marynarska 19A, 02-674 Warszawa  
 Tel.: +48 (0)22 607 06 16  
 Fax: +48 (0)22 607 06 21  
 info@schroff.pl  
 www.schroff.pl
- RC Taiwan**  
 Lunax International Corp., Ltd.  
 7th Fl., 52, Sec. 3,  
 Nan-Kang Rd., Taipei Taiwan R.O.C.  
 Tel.: +886 (0)2 27 88 36 59  
 Fax: +886 (0)2 27 88 35 68  
 lunax@lunax.com.tw
- RI Indonesia**  
 P. T. Kicia Mynrak Automation Indonesia  
 Jl. Bandung Selatan  
 600 Jakarta Utara, 14450 Indonesia  
 Tel.: +62 (0)21 662 17 25  
 Fax: +62 (0)21 662 17 33  
 safety@hindo.net.id
- P. T. Migo Electrico**  
 Komplek Santa Karana, Blok A18  
 Jl. Karanil Raya No.7-9  
 Jakarta 10450 Indonesia  
 Tel.: +62 (0)21 315 62 18  
 Fax: +62 (0)21 315 62 19  
 migo@rad.net.id
- ROK Korea**  
 Ag Electronics Co. Ltd.  
 501 Daerpyung Techno-Town 1  
 327-24 Kyeon-dong, Kyeon-gu  
 Seoul 153-023  
 Tel.: +82 (0)2 855 54 00  
 Fax: +82 (0)2 855 54 90  
 info@ag.co.kr  
 www.ag.co.kr
- RUS Russia**  
 Prosoft Ltd.  
 108, Pirozovskaya Str.  
 117437 Moscow  
 Tel.: +7 005 234 06 36  
 Fax: +7 005 234 06 40  
 road@prosoft.ru  
 www.prosoft.ru
- Kalheiss Ltd.**  
 20, Admiral Lazarev emb.  
 197110 St. Petersburg  
 Tel.: +7 (812) 3 25 29 73  
 Fax: +7 (812) 2 53 50 45  
 ks@kalheiss.ru  
 www.kalheiss.ru
- S Sweden**  
 Schroff Scandinavia AB  
 Box 2003, 72821 Sjömark  
 Tel.: +46 (0)8 683 61 00  
 Fax: +46 (0)8 683 61 99  
 info\_swe@schroff.de  
 www.schroff.se
- SGP Singapore**  
 Hofmann Schroff Singapore Pte. Ltd.  
 25 Int'l Business Park,  
 # 01-68/71 German Centre  
 Singapore 609916  
 Tel.: +65 652 78 90  
 Fax: +65 652 78 99  
 hofmannschroff@pacific.net.sg
- SLO Slovenia**  
 IC Elektronika D. O. O.  
 Vodovodna 100, PP 2514  
 1001 Ljubljana  
 Tel.: +386 (0)61 65 31 50 25  
 Fax: +386 (0)61 65 31 70 20  
 mirc@ic-elek.si
- T Thailand**  
 F. E. Zuehlig (Bangkok) Ltd.  
 11/F Pheonit Center  
 2 Sukhumvit Road  
 Kweeng Monongy, Koel Khongloy  
 Bangkok 10110  
 Tel.: +66 (0)2 656 67 10  
 Fax: +66 (0)2 656 67 67  
 electrical@f-e-h.com
- UK Great Britain**  
 Schroff UK Ltd.  
 Maylands Avenue  
 Hemel Hempstead,  
 Herts HP2 7DE  
 Tel.: +44 (0)1442 240 471  
 Fax: +44 (0)1442 213 508  
 sales\_uk@schroff.co.uk  
 www.schroff.co.uk
- USA United States of America**  
 Pentair Electronic Packaging  
 170 Commerce Drive  
 Warwick, RI 02886  
 Tel.: +1 (401) 738 37 70  
 Fax: +1 (401) 738 79 88  
 info@pentair-ep.com  
 www.pentair-ep.com
- ZA South Africa**  
 Pascom Electronics (Pty) Ltd.  
 13 Delport Street,  
 Eastgate Ext. 18, Sandton  
 2144 Westwood  
 Tel.: +27 (0)11 444 10 01  
 Fax: +27 (0)11 444 10 80  
 nat@pascom.co.za

Schroff GmbH  
 Postfach 3, D-75332 Straubenhardt, Telefon +49(0)70 82 794-0, Telefax +49(0)70 82 794 200  
 www.schroff.biz



**Montageanweisung**  
 Steckdosenteile  
 Kabelkanal

**Assembly instructions**  
 Socket strips  
 cable duct



**6 PROLINE**

**8**

**7**

**5 comrack**

**1**

**2**

**3**

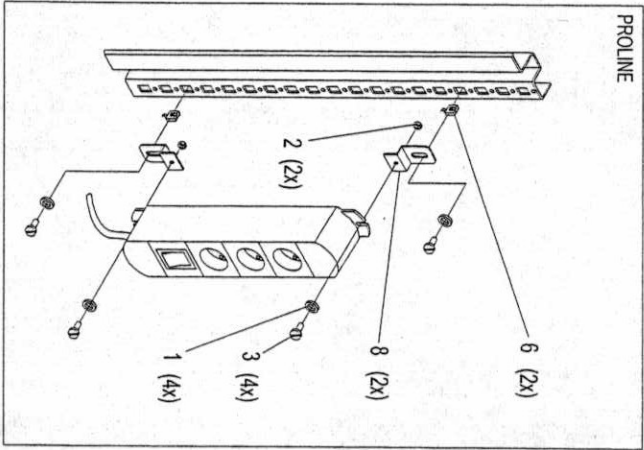
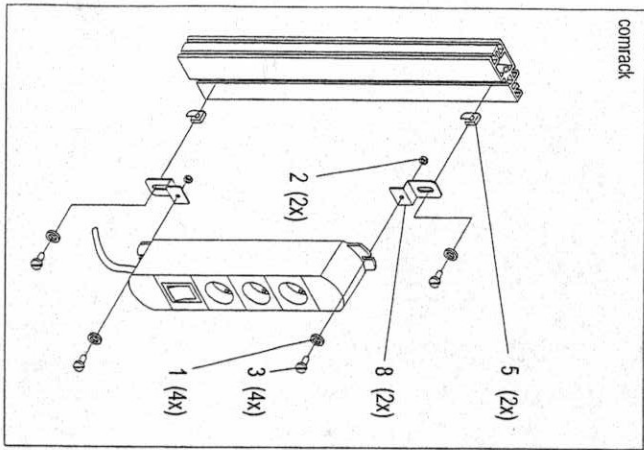
**4**

601113 - 058 Revision 002

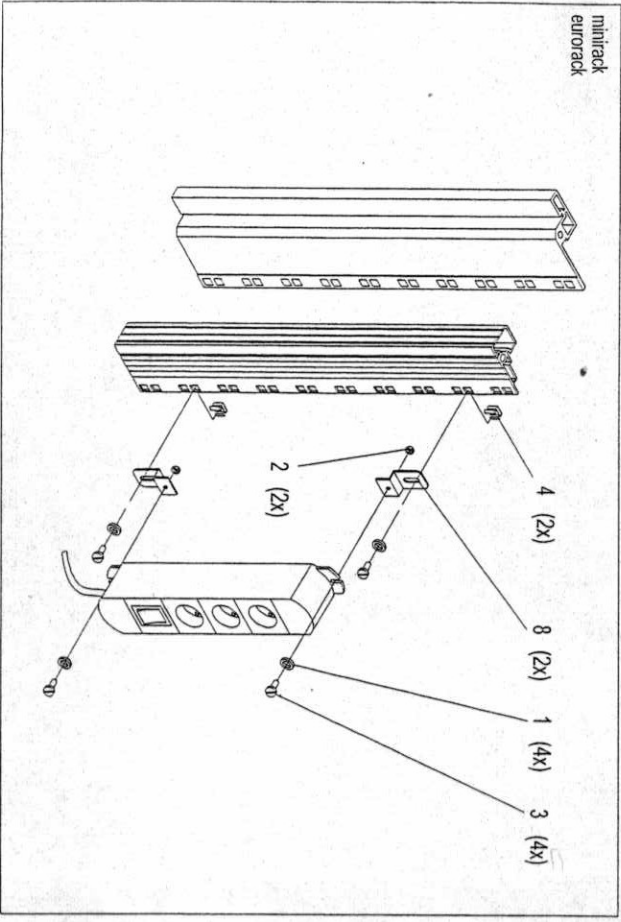
Steckdoseleiste  
am Schrankholm

Socket strips  
to frame upright

Bâti multiprises  
sur montant d'armoire



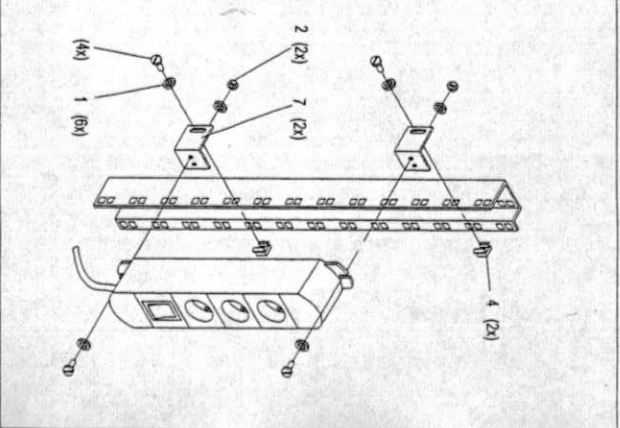
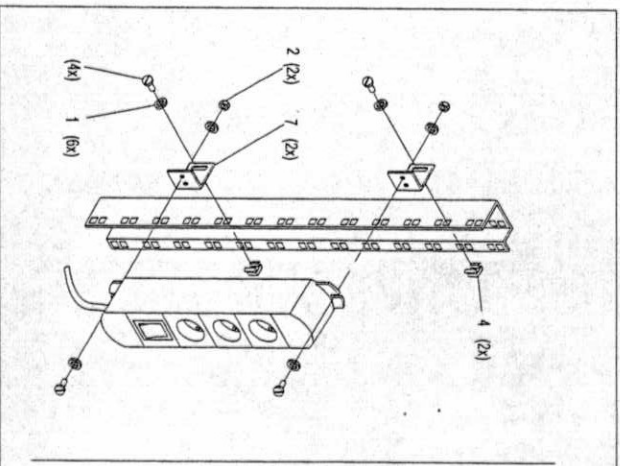
minitrack  
eurorack



Steckdoseleiste  
am 19" Winkelprofil

Socket strips  
to 19" panel slide mount

Bâti multiprises  
sur montant 19"



Kabelkanal

cable duct

Goulotte de câbles

