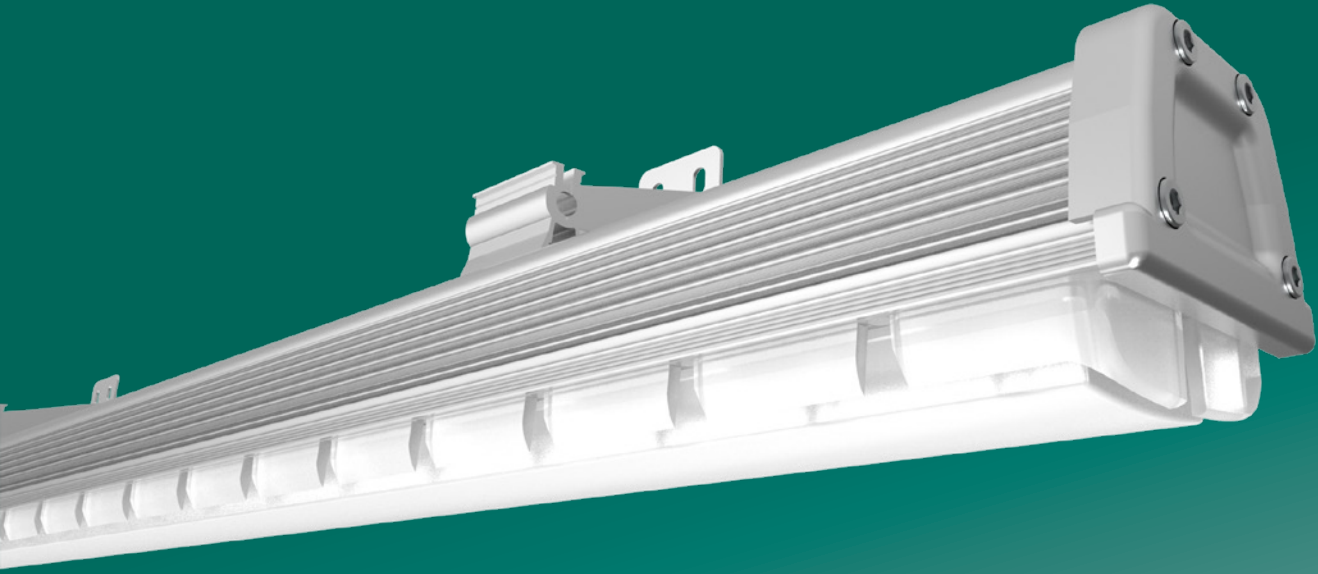


*"Born for heavy duty!"*

# TOR



**GRAH**<sup>®</sup>  
LED LIGHTING

OUTDOOR

## TOR / TOR LC



## TECHNICAL SPECIFICATIONS

	TOR	TOR LC
Supply voltage range:	198-264 V, 50 / 60 Hz	
Consumption:	19 W / 81 W	11 W / 32 W
Power Factor:	>0,95	
Temperature range:	-20 °C / +40 °C	
Working temperature at Ta25:	+55 °C	
Light guiding system:	PMMA SAT	PMMA lenses
Optics:	wide	90°, 60°
Power reduction:	ON/OFF, DALI	
Light source:	Mid power LED	
Colour temperature:	3000 K, 4000 K, 5000 K	
System efficacy:	Up to 113 lm/W	Up to 138 lm/W
LED Lifetime:	Up to 50.000 hours, L80 @ Ta = 25 °C	
Colour Rendering Index:	CRI >80	
Luminous flux:	2.100 / 8.300 lm	1.500 / 4.400 lm
Appliance class:	I	
Housing material:	Aluminium	
Cover material:	PC	
Housing colour:	Anodized	
Ingress protection class:	IP66	
Impact resistance:	IK10	
Mounting options:	Ceiling, wall	
Suggested mounting height:	up to 6 m	
Dimension (L x H x W):	360 x 73 x 81 mm 1050 x 73 x 81 mm	360 x 73 x 81 mm 1050 x 73 x 81 mm
Net weight:	1,3 kg / 2,9 kg	1,3 kg / 2,9 kg



RoHSII

LED



IP66

IK10



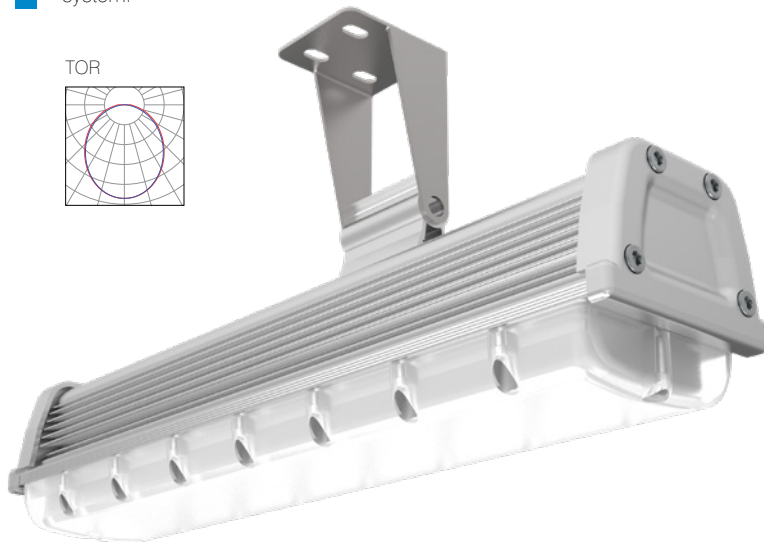
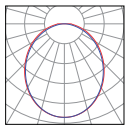
DALI

# FEATURES

TOR for efficient lighting outdoor with IP66, IK10 and luminous flux up to 8300 lm

Perfect solution for outdoor industrial illumination of open spaces and where is needed a heavy duty luminaire with satin optics system.

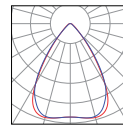
TOR



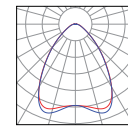
TOR LC - light control with optics where directional light is required

Perfect solution for outdoor industrial illumination like fire escape stairs, open space steel constructions and where is needed a heavy duty, luminaire with 60° or 90° optics system.

60°



90°

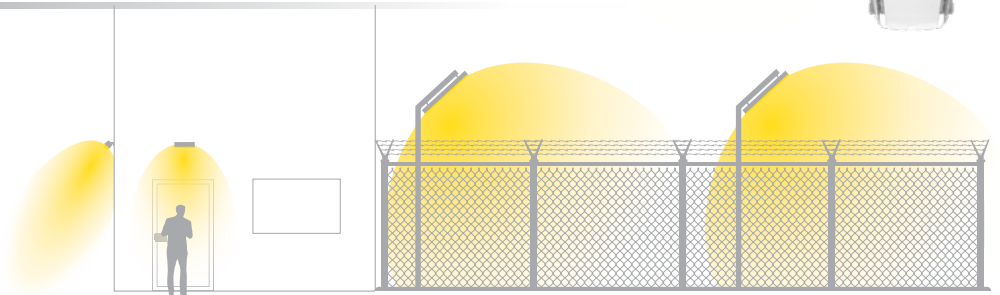


Easy install for ceiling or wall mounting

Mounting already integrated in luminaire housing for simplified install.

Dust and damp proof in all conditions with energy savings up to 85%

Dust and damp proof luminaire equipped with a LED module, an all-round solution for general applications and where an impact resistance is required. Replacement for standard weatherproof luminaires. TOR offers immediate energy savings of around 70% over traditional lights. Units fitted with an intelligent sensor can easily extend energy savings up to 85%.



# COMMERCIAL SPECIFICATIONS

ID: 1 3 7 2 - 0 0 2 1 - 1 1 6 3 - 6 5 0 1

Code	Name	Code	Regulation	Code	Lum. flux [lm]	Power [W]	Code	Optics	Code	Colour Temp. [K]	Code	Length [mm]	
1372	TOR	0	ON/OFF	021	2100	19	16	Opal	3	3000*	1	355	
				028	2800	27			4	4000			
				063	6300	56			5	5000*	2	1040	
				083	8300	81							
1382	TOR LC	0	ON/OFF	015	1500	11	15	60°	3	3000*	1	355	
				044	4400	32			4	4000			
				3	DALI	33			90°	5	5000*	2	1040

\*Luminous flux for 3000 K and 5000 K may vary, please contact our Sales department for detailed information.



GRAH LIGHTING d.o.o.  
Zadružna ulica 6,  
SI-2310 Slovenska Bistrica,  
Slovenia, EU

+386 82 801 424  
[info@grahlighting.com](mailto:info@grahlighting.com)  
[www.grahlighting.com](http://www.grahlighting.com)